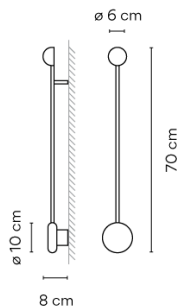


1692

Design By Ichiro Iwasaki

Wall lamp. Design by Ichiro Iwasaki. Wall light which provides passageways with ambient illumination via indirect light. Available in white, black, cream and green matt finishes.

## Model Sheet



<b>Finish</b>	58 Cream NCS S 2005-Y20R
	04 Black NCS 9000N
	23 Warm White test ral

**LED temperature color** 2700 K

**Dimming** On/Off

**Installation type** Surface Canopy

**Materials** Head: Aluminium  
Base: Zinc Alloy  
Diffuser: PC- Polycarbonate  
Rods: Steel

**Light source** 1 x LED 4,48W 350mA



**LED** CRI>90 452.95 lm 100.66  
2700 K

**Driver** Constant Current 350 100~240  
V V 50-60 Hz



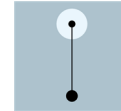
Bi-volt 50-60Hz

**Application** Wall Lamps

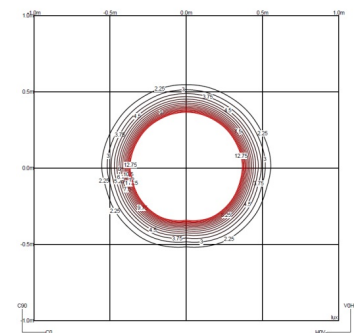
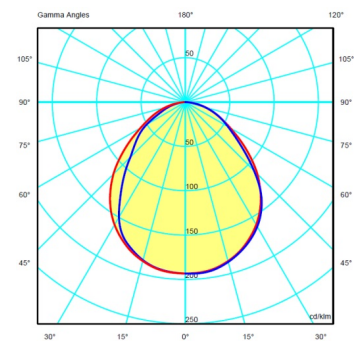
**Packaging** 1 Box  
0.792 m x 0.445 m x 0.177 m  
Gross weight 2.44  
Net weight 1  
Vol. 0.0623

### Lighting effect

**360° Surface Grazer**  
Full-circle grazing light.

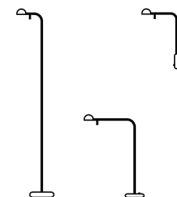


### Photometric Data



<b>Efficiency</b>	46.31%
<b>Coordinate System</b>	CG
<b>Total Flux</b>	449.94
<b>Maximum Value</b>	193.70

### Other Applications



All of our products come with a five-year warranty. Check our legal terms at [www.vibia.com/warranty](http://www.vibia.com/warranty)

**Vibia Lighting, S.L.U.**

Office / Oficina  
Progrés 4-6. 08850 Gavà. Barcelona, Spain.

International T +34 934 796 971  
Spain / Portugal T +34 934 796 970

customer.service@vibia.com  
vibia.com