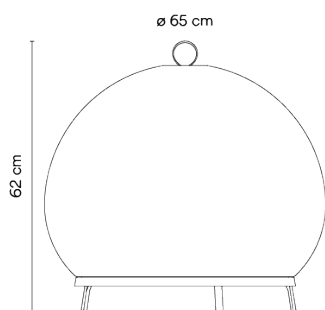


7494

Design By Meike Harde

Due to its large size, the Knit floor lamp takes centre stage, drawing people towards it by attracting their gazes, while its fabric shade has a welcoming tactile quality. The ring in its upper part makes it easily portable.

Model Sheet



Finish	24 Beige M1 NCS S 2005-Y50R
LED temperature color	2700 K
Dimming	Push / Casambi
Installation type	Plug-in

Materials	Fabric Shade: PES FR Diffuser ring and support: ABS Diffuser: PMMA
------------------	--

Light source	6 x LED 5,9W 1050mA G
---------------------	--------------------------

LED	CR>90 4740 lm 133.9 2700 K
------------	-------------------------------

Driver	Constant Voltage 1050 100-240 V V 50-60 Hz HZ
---------------	--

F LED IP20
 Bi-volt 50-60Hz PUSH

Application	Floor and Table Lamps
--------------------	-----------------------

Packaging	1 Box 0,8 m x 0,8 m x 0,75 m Gross weight 9,3 Net weight 5,9 Vol. 0,48
------------------	--

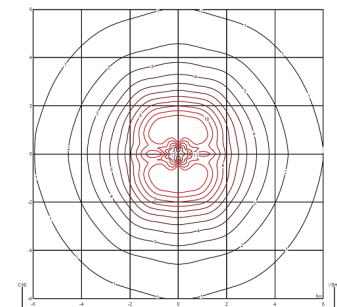
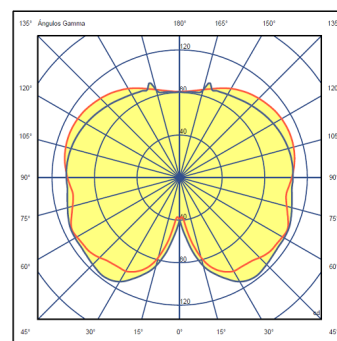
Lighting effect

Volumetric Diffuser

Subtly directed, diffused light that generates a soft hierarchy of light on to the illuminated surface

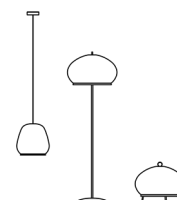


Photometric Data



Efficiency	50.38 lm/W
Coordinate System	CG
Total Flux	1286.57 lm
Maximum Value	125.33 cd

Other Applications



All of our products come with a five-year warranty. Check our legal terms at www.vibia.com/warranty

Vibia Lighting, S.L.U.

Office / Oficina
Progrés 4-6. 08850 Gavà. Barcelona, Spain.

International T +34 934 796 971
Spain / Portugal T +34 934 796 970

customer.service@vibia.com
vibia.com