

# UK DOUBLE DIMMER IN GRAPHITE

tala®

SKU: ACC-DIM-DBL-GRAP-01-UK

FINISH: GRAPHITE

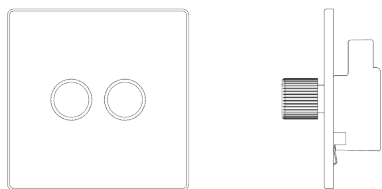
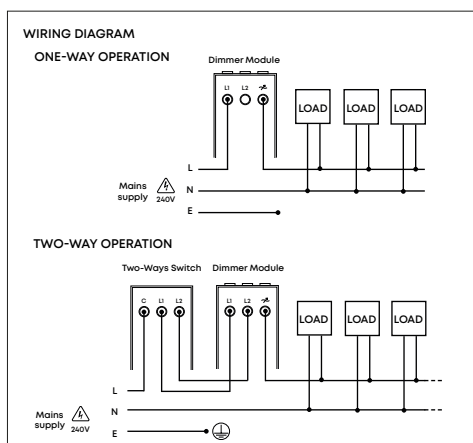


## PHYSICAL

Dimension:	L52mm x W88mm x H88mm
Materials:	Stainless steel and Aluminium
Finish:	Graphite
Weight:	160g
Max. working temp.:	45°C
IP rating:	IP20 - Suitable for dry locations
Recommended backbox depth:	35 mm
Depth from Mounting Face:	25 mm
Fixing centres:	60 mm

## ELECTRICAL

Max power per gang:	
LED:	2-100W
Incandescent:	10-150W
Voltage:	220-240V
Frequency:	50Hz
Dimming Technology:	Trailing edge



## LOGISTICAL

Unit Packaging  
PC/Ctn: 1  
Gross weight: 240g  
L 101 x W 101 x H 56 mm

Tala Energy Ltd. 25b Vyner Street,  
London, E2 9DG, United Kingdom

## WARRANTY

2 years

Tala Europe B.V. Bertus Aafjeshove 40  
Nieuwegein 3437 JN

## EAN

5060915718051

tala.co.uk | hello@tala.co.uk | +44 7700 170343