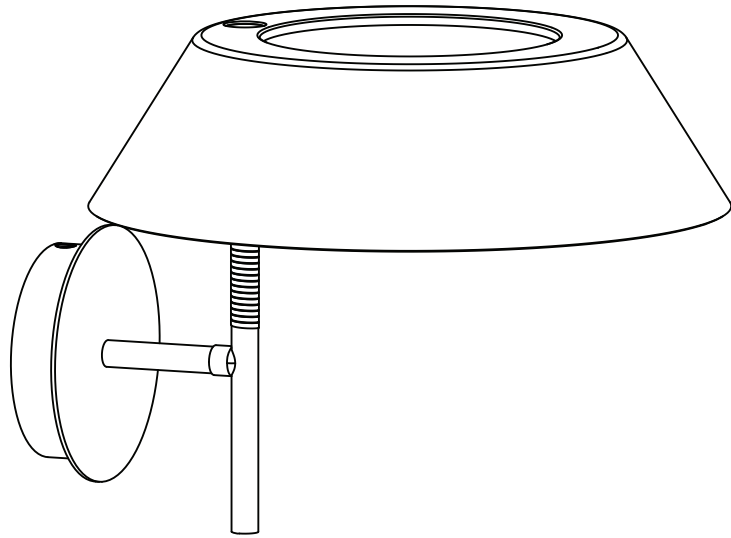
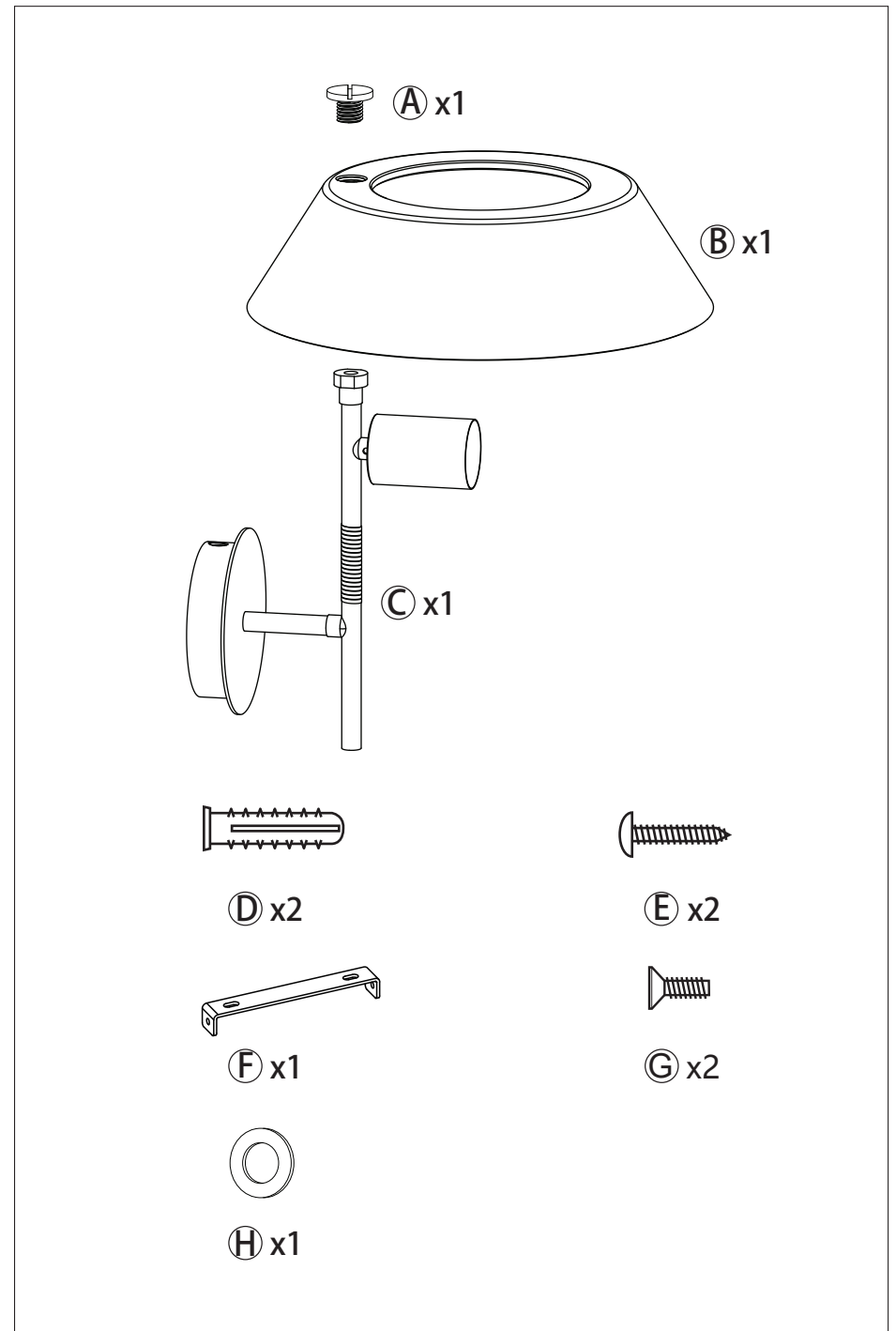


aromas ASSEMBLY INSTRUCTIONS

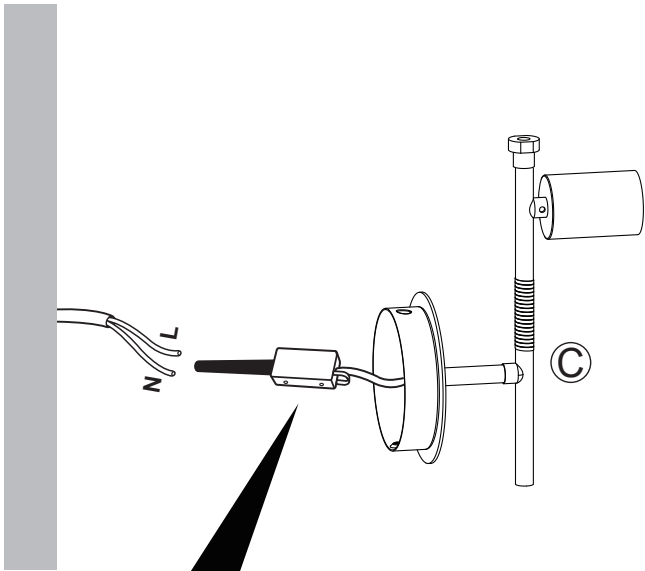
A1287



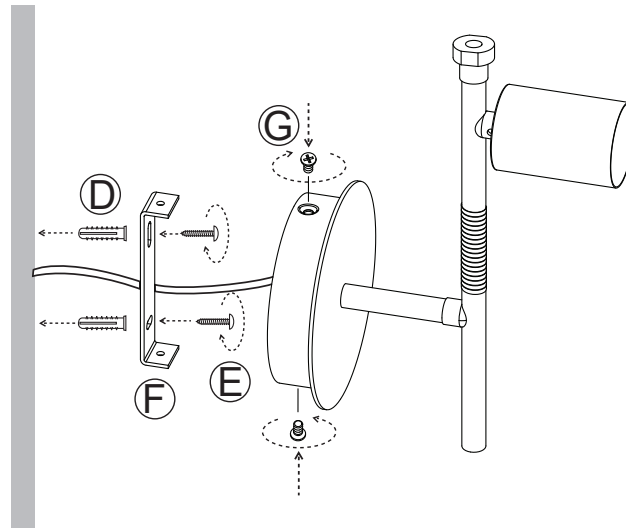
Caution: If the external flexible cable or cord of this luminaire is damaged, it should be replaced by a qualified person in order to avoid a hazard.



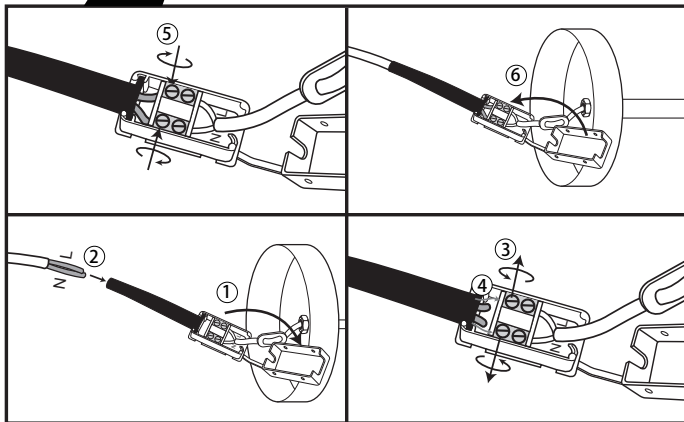
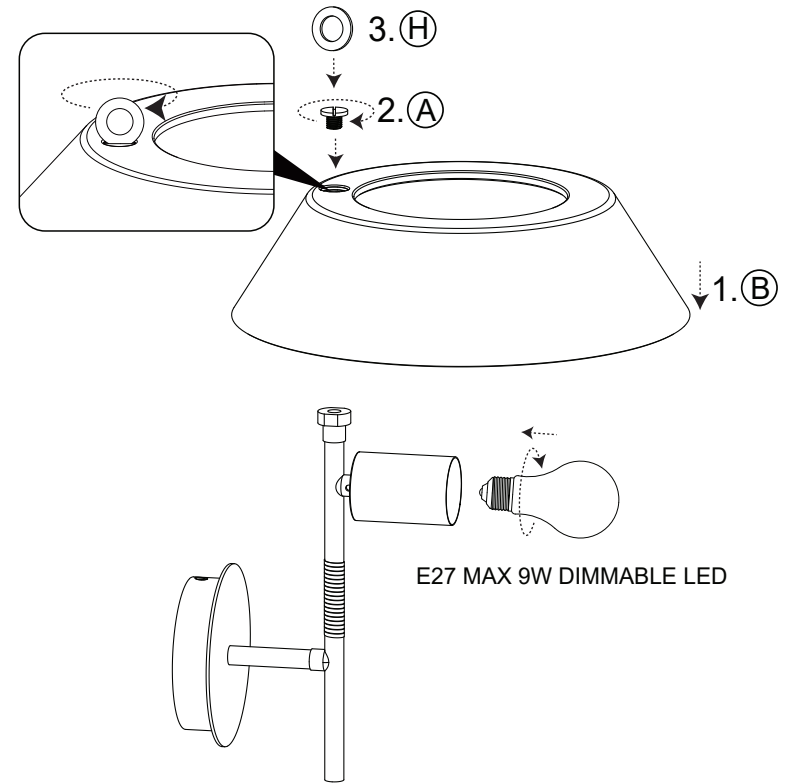
1



2



3



E27 MAX 9W DIMMABLE LED