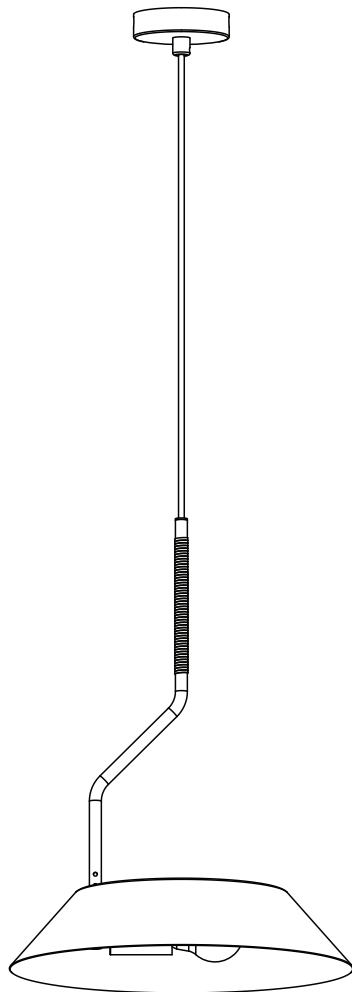
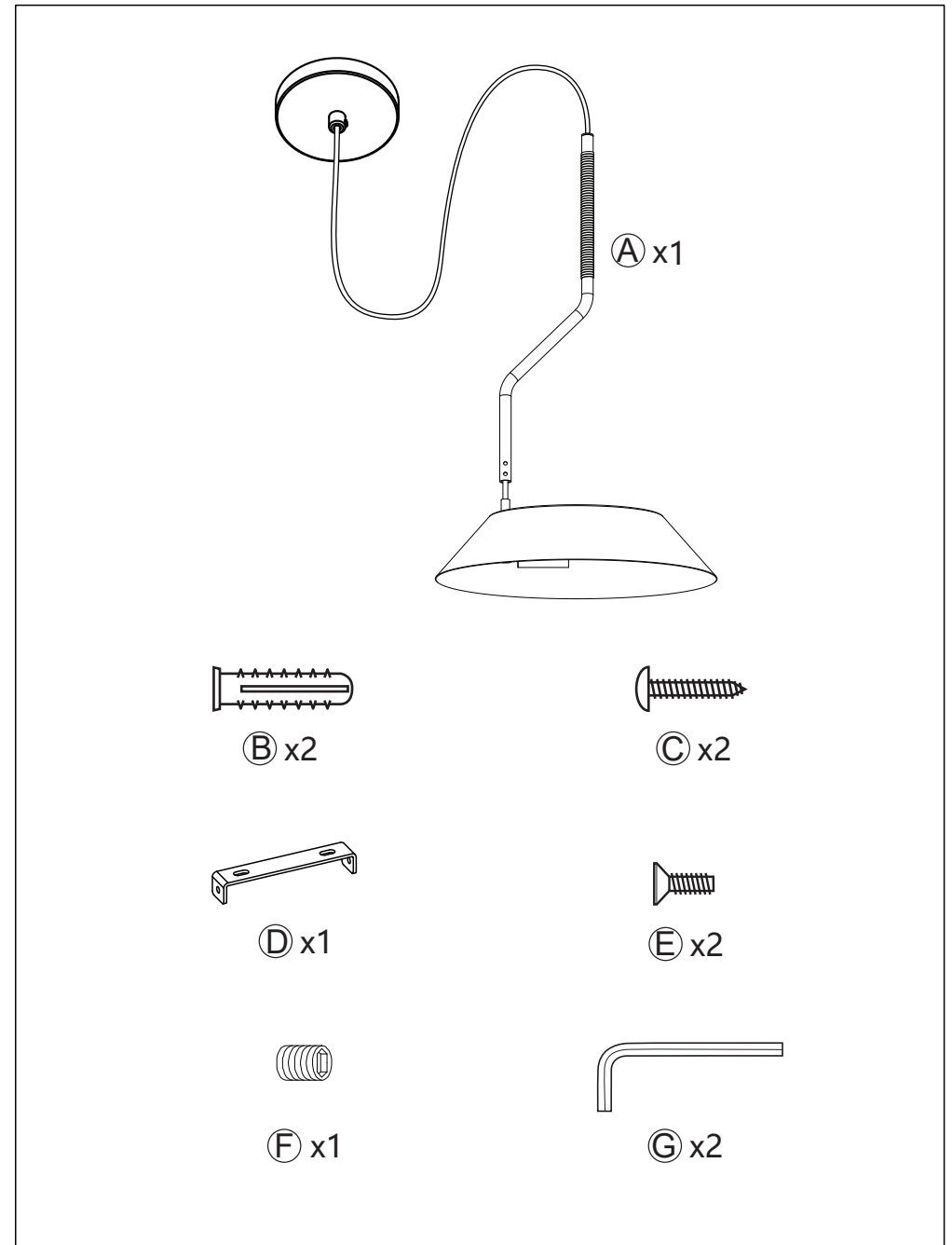


aromas ASSEMBLY INSTRUCTIONS

CO-223023XIC



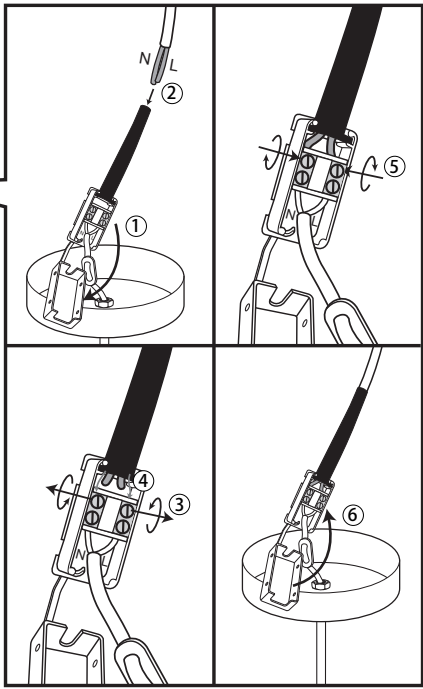
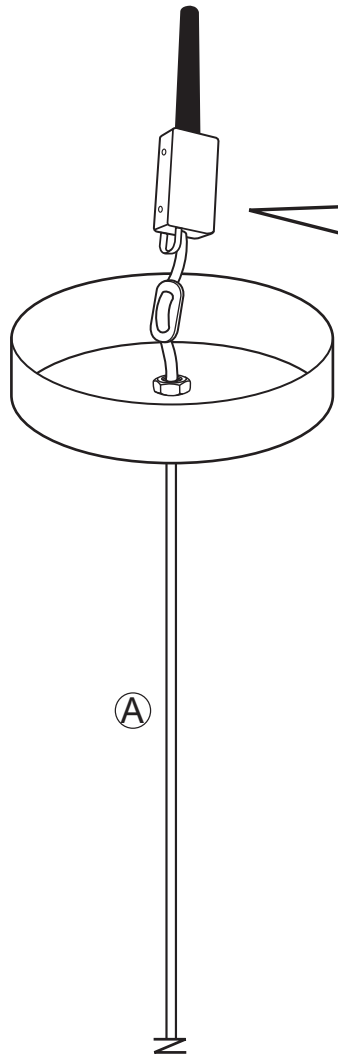
Caution: If the external flexible cable or cord of this luminaire is damaged, it should be replaced by a qualified person in order to avoid a hazard.



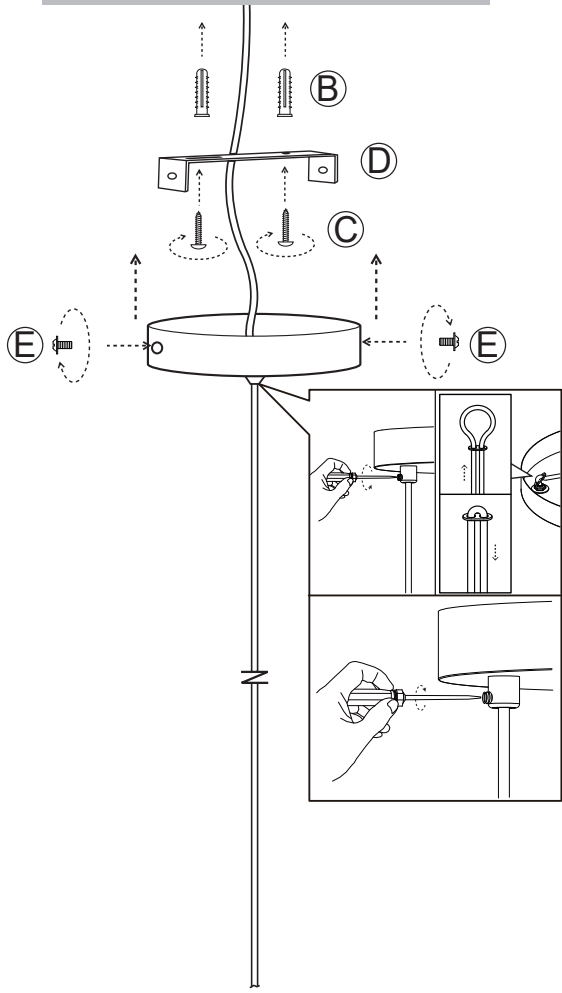
1



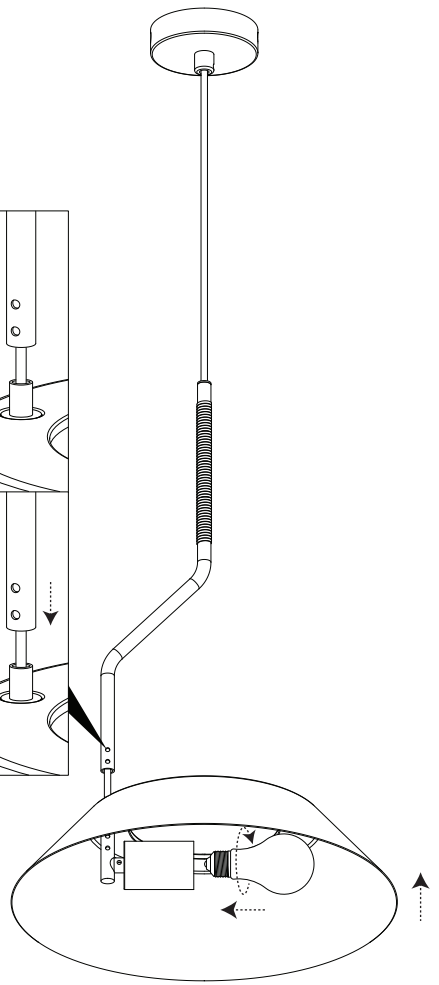
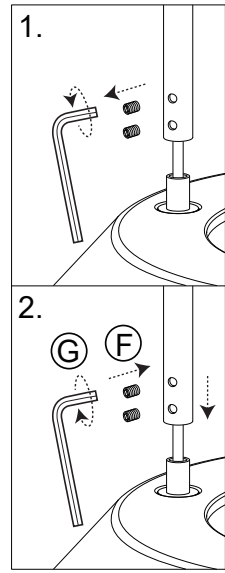
N
L



2



3



E27 MAX 9W DIMMABLE LED