

## AXIS PENDANT LARGE

### FINISH

bronze with smoked glass / bronze drop rod and ceiling box  
satin brass with smoked glass shades / satin brass drop rod and ceiling box

### DIMENSIONS (body of fixture)

1720 x 1170 x 190 mm (w x d x h)

### WEIGHT

15kg (33.1lbs)

please ensure ceiling structure is strong enough to support the weight of the light

### OVERALL DROP

minimum 325 mm

supplied with 1000mm drop rod (12.7mm dia) as standard (adjustable on site)

### ILLUMINATION

220-240v - 6 x E14 - 25w max (or 4.5w LED 2700k)

110-130v - 6 x E12 - 25w max (or 4.5w LED 2700k)

### DIMMING

dimnable bulb required

trailing edge dimmable / phase cut (rotary dimmer) - standard

DALI option available (220-240v only)

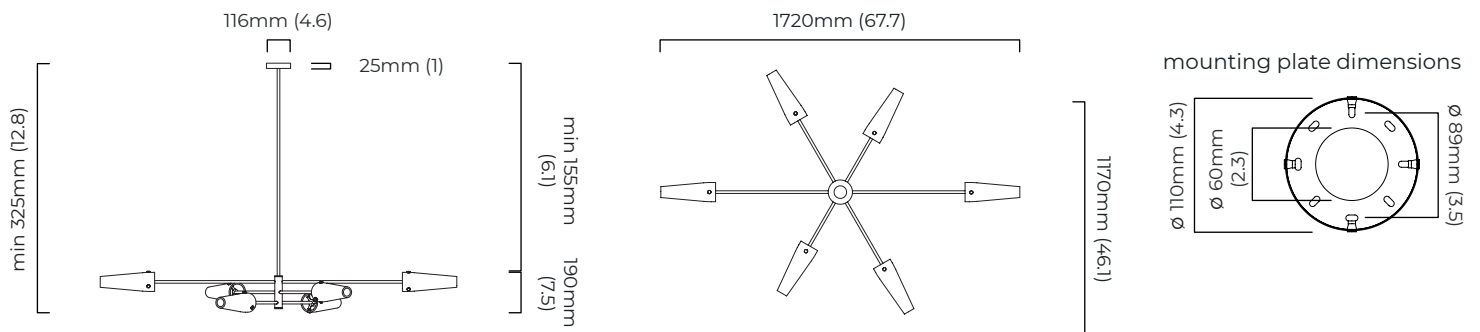
### CEILING ROSE / PLATE

round ceiling rose -  $\varnothing$  116 x 25 mm (dia x h)

### CERTIFICATION



### VIEW ON WEBSITE



\*Diagrams are not to scale.

## AXIS PENDANT LARGE - DALI-A

### FINISH

bronze with smoked glass / bronze drop rod and ceiling box  
satin brass with smoked glass shades / satin brass drop rod and ceiling box

### DIMENSIONS (body of fixture)

1720 x 1170 x 190 mm (w x d x h)

### WEIGHT

15kg (33.1lbs)

please ensure ceiling structure is strong enough to support the weight of the light

### OVERALL DROP

minimum 325 mm

supplied with 1000mm drop rod (12.7mm dia) as standard (adjustable on site)

### ILLUMINATION

220-240v - 6 x E14 - 25w max (or 4.5w LED 2700k)

DALI converter to be installed in the cavity

### DIMMING

dimmable bulb required

DALI compatible

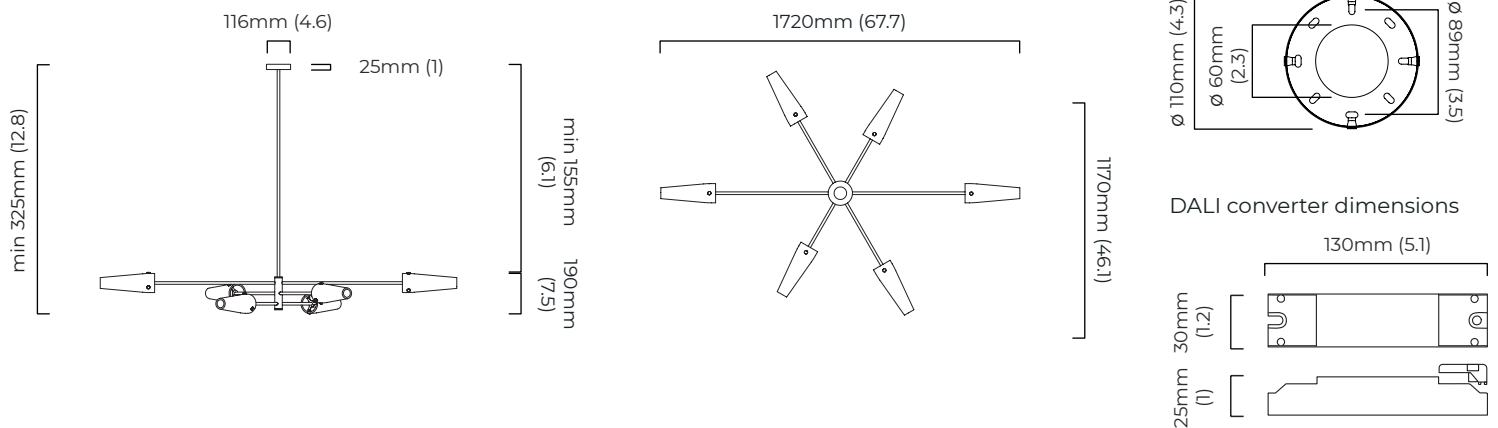
### CEILING ROSE / PLATE

round ceiling rose -  $\varnothing$  116 x 25 mm (dia x h)

### CERTIFICATION



### VIEW ON WEBSITE



\*Diagrams are not to scale.

## AXIS PENDANT LARGE - DALI-B

### FINISH

bronze with smoked glass / bronze drop rod and ceiling box  
satin brass with smoked glass shades / satin brass drop rod and ceiling box

### DIMENSIONS (body of fixture)

1720 x 1170 x 190 mm (w x d x h)

### WEIGHT

15kg (33.1lbs)

please ensure ceiling structure is strong enough to support the weight of the light

### OVERALL DROP

minimum 335 mm

supplied with 1000mm drop rod (12.7mm dia) as standard (adjustable on site)

### ILLUMINATION

220-240v - 6 x E14 - 25w max (or 4.5w LED 2700k)

DALI converter to be installed in the ceiling rose

### DIMMING

dimmable bulb required

DALI compatible

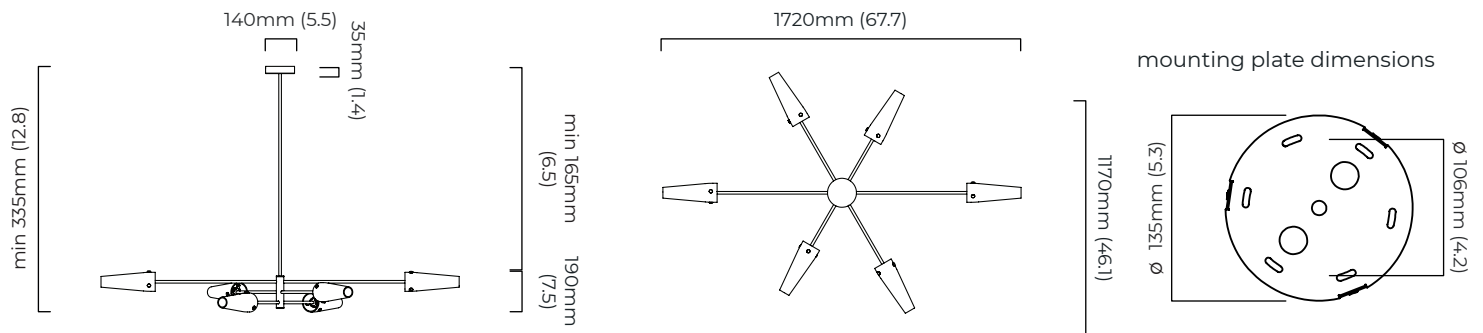
### CEILING ROSE / PLATE

round ceiling rose -  $\varnothing$  140 x 35 mm (dia x h)

### CERTIFICATION



### VIEW ON WEBSITE



\*Diagrams are not to scale.

## AXIS PENDANT LARGE

### AXIS PENDANT LARGE

SKU NUMBER	FINISH DESCRIPTION	VOLTAGE
AXIPELBZSG-240	bronze with smoked glass / bronze drop rod and ceiling box	220 - 240V
AXIPELSBSG-240	satin brass with smoked glass shades / satin brass drop rod and ceiling box	220 - 240V
AXIPELBZSG-110	bronze with smoked glass / bronze drop rod and ceiling box	110 - 130V
AXIPELSBSG-110	satin brass with smoked glass shades / satin brass drop rod and ceiling box	110 - 130V

### AXIS PENDANT LARGE - DALI-A

SKU NUMBER	FINISH DESCRIPTION	TYPE OF DALI	VOLTAGE
AXIPELBZSG-DALIA-240	bronze with smoked glass / bronze drop rod and ceiling box	DALI A included - For lights that do not require aesthetic alterations. Dali can be fitted inside the ceiling/wall rose	220 - 240V
AXIPELSBSG-DALIA-240	satin brass with smoked glass shades / satin brass drop rod and ceiling box	DALI A included - For lights that do not require aesthetic alterations. Dali can be fitted inside the ceiling/wall rose	220 - 240V

### AXIS PENDANT LARGE - DALI-B

SKU NUMBER	FINISH DESCRIPTION	TYPE OF DALI	VOLTAGE
AXIPELBZSG-DALIB-240	bronze with smoked glass / bronze drop rod and ceiling box	DALI B included - The light will feature a deeper ceiling/wall rose. For use when there is no space in the existing ceiling/wall cavity	220 - 240V
AXIPELSBSG-DALIB-240	satin brass with smoked glass shades / satin brass drop rod and ceiling box	DALI B included - The light will feature a deeper ceiling/wall rose. For use when there is no space in the existing ceiling/wall cavity	220 - 240V