

ELLI

Pendant lamp

C1311/S

Designed by JF Sevilla, 2023

DESCRIPTION

MATERIALS

Metal / Acrylic

FINISHES

Metal: Matte Black / Antique Gold
Acrylic: - Opal

SPECIFICATIONS

LED chip 5W 2700K TRIAC dim-
mable
24V, 50/60Hz
IP20, Class I

ENERGY LABEL

A ++

MATERIALES

Metal / Acrílico

ACABADOS

Metal: Negro mate / Oro
envejecido
Acrílico: - Opal

ESPECIFICACIONES

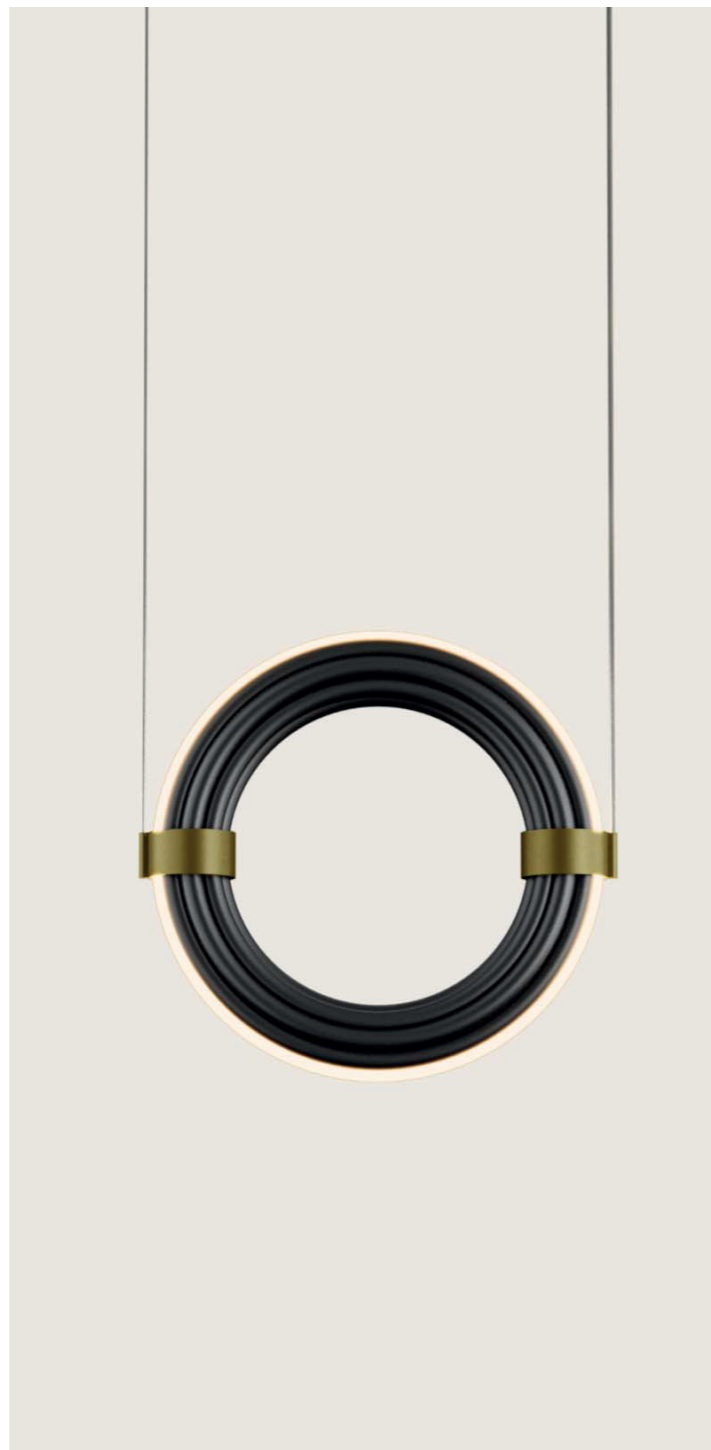
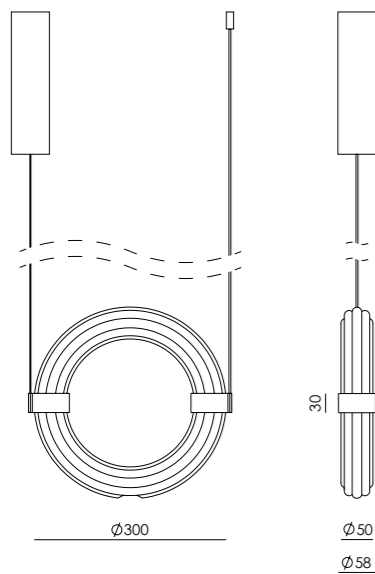
Chip LED 5W 2700K TRIAC
regulable
24V, 50/60 Hz
IP20, Clase I

ETIQUETA ENERGÉTICA

A ++

⊕ IP20 CE   

TECHNICAL



aromas

