

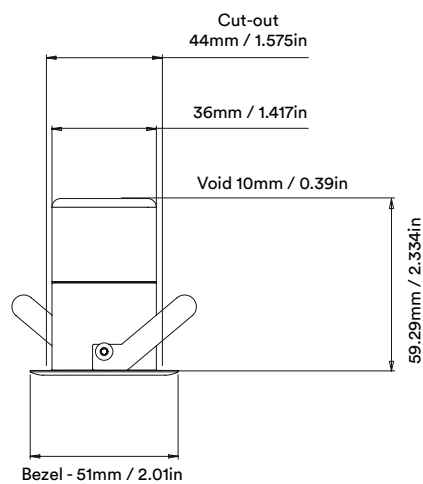
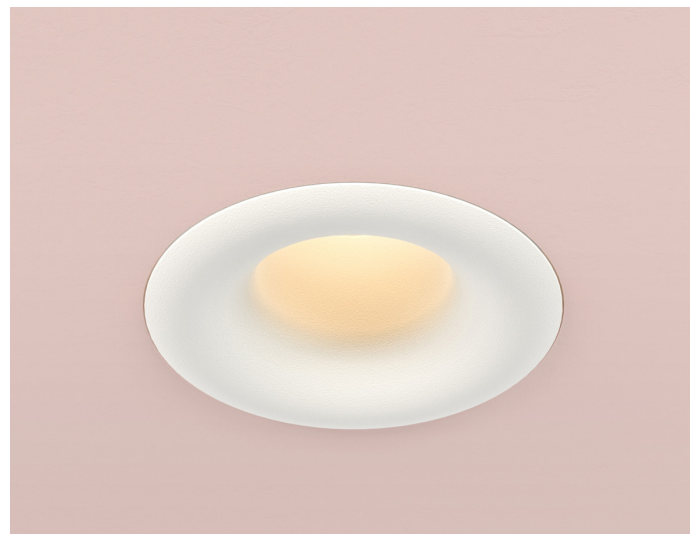
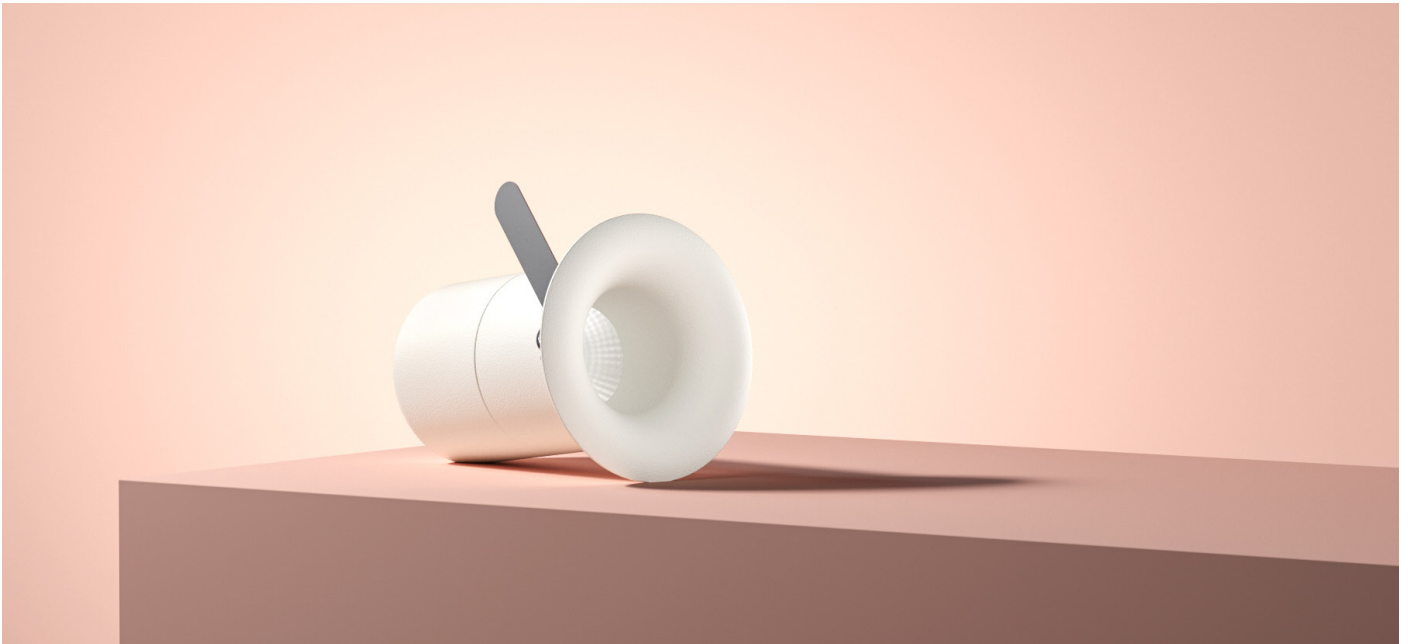
erluna

cero  
100

circular product





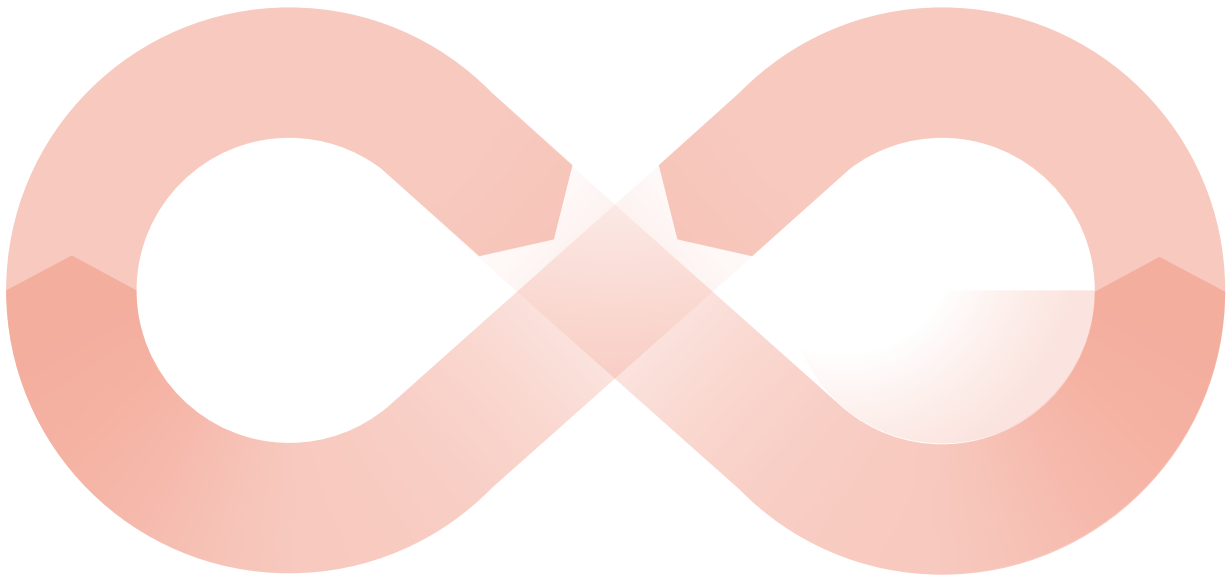


When an old Orluna light comes to the end of its life, or is faulty, instead of throwing it away, we kindly ask you to return it to us.

**1**

The fully repaired and tested product enters back into our stock –with a brand new warranty.

**3**



The 'new' light fitting is despatched to a new customer.

**4**

Once we've received the unwanted or faulty fitting, it's dismantled, repaired and renewed with a new LED and PCB.

**2**



		<b>2700K</b>			<b>Luminaires Per Driver</b>	
		<b>SOFT</b>			<b>Mains Dimmable L</b>	
<b>LIGHT VALUES</b>		<b>Narrow</b>	<b>Medium</b>	<b>Wide</b>	<b>Min</b>	<b>1</b>
	Beam Width FWHM	18°	26°	45°	<b>Max</b>	<b>5</b>
	Initial Lumens	189	189	189	<b>Driver</b>	<b>Fulham L05021E</b>
	Engine Lumens	175	177	176		
	Luminaire Lumens	154	147	162		
	Engine Lm/W	67	68	68		
	Luminaire Cd	912	521	258		
<b>POWER</b>	Voltage	3V				
	Drive Current	700mA				
	Circuit Power (typ)	2.6W				

		<b>3000K</b>			<b>Mains Dimmable 1</b>	
		<b>SOFT</b>			<b>Mains Dimmable 2</b>	
<b>LIGHT VALUES</b>		<b>Narrow</b>	<b>Medium</b>	<b>Wide</b>	<b>Min</b>	<b>3</b>
	Beam Width FWHM	14°	27°	39°	<b>Max</b>	<b>5</b>
	Initial Lumens	228	228	228	<b>Driver</b>	<b>DRIVER-M-700-1</b>
	Engine Lumens	211	190	201		
	Luminaire Lumens	175	175	151		
	Engine Lm/W	81	73	77		
	Luminaire Cd	1487	651	281		
<b>POWER</b>	Voltage	3V				
	Drive Current	700mA				
	Circuit Power (typ)	2.6W				

<b>Binning</b>	SDCM (Hot)	2
<b>CRI</b>	(typ)(R9)	90 (60)
<b>TM30</b>	Rf Rg	Rf 91 Rg 99
<b>Lifetime</b>	(TM21)	L90 B5 50,000hrs (inc driver)
<b>Lifetime</b>	(Calculated)	L70 50,000hrs
<b>DRIVER</b>	Protocols	Mains Dim / DALI / 0-10V / Non-dim
	Dim to Dark	0.1% Lux
	Distance from LED	20m / 65' (series wiring)
	Emergency	Emergency packs available

**SPECIFICATION CODE**

Engine type	Bezel	Colour Temp	Driver	Beam Width	Bezel Colour	Options
<b>100</b>	<b>- CER -</b>	<b>27</b>	<b>X</b>	<b>N</b>	<b>- W -</b>	<b>54 E</b>
		27 / 2700K 30 / 3000K	X / No Driver	N / Narrow M / Medium W / Wide	W / White RAL 9010 D / White RAL 9003 B / Black RAL 9005 C / Other RAL V / Dark Bronze T / Medium Bronze R / Light Bronze Y / Burnished Brass G / Polished Brass K / Brushed Chrome L / Polished Chrome Z / Other Metallic	54 / IP54 65 / IP65 P / Sea & Spa E / 3hr Emergency Z / LSZH Cable F / 60min Fire Rated Plate

28/03/24

