



**erluna**

**clarin fixed  
origin**

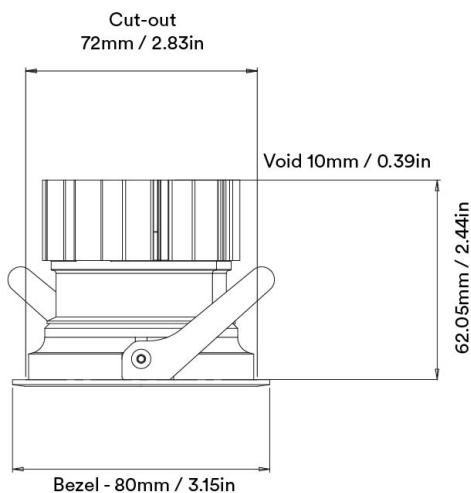
**circular product**

  IP65  
IP54  



# clarin fixed origin

# circular product



Unit height increases by  
21.65mm / 0.85in  
for spot and elliptical beams

# clarin fixed origin

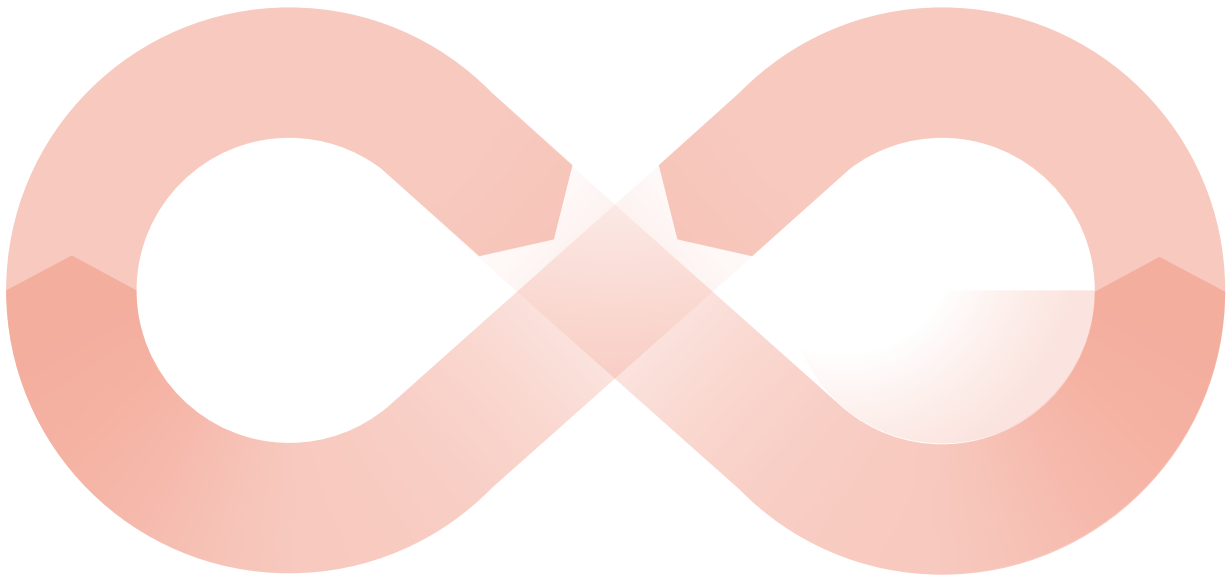
# circular product

When an old Orluna light comes to the end of its life, or is faulty, instead of throwing it away, we kindly ask you to return it to us.

**1**

The fully repaired and tested product enters back into our stock –with a brand new warranty.

**3**

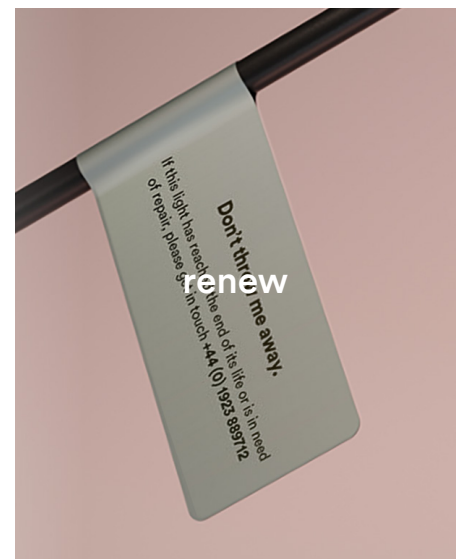


The 'new' light fitting is despatched to a new customer.

**4**

Once we've received the unwanted or faulty fitting, it's dismantled, repaired and renewed with a new LED and PCB.

**2**



# clarin fixed origin

# circular product

		2700K									
		SPOT			SOFT				SPECIALITY		
LIGHT VALUES	Beam Width FWHM	Ultra 8°	Spot 10°	Narrow 14°	Medium 26°	Wide 45°	Flood 57°	Wash 65°	Crisp 38°	Elliptical 10x45°	Elliptical 20x40°
	Initial Lumens	526	893	1164	1164	1164	1164	1164	1164	893	893
	Engine Lumens	183	295	380	975	968	935	942	970	323	320
	Luminaire Lumens	182	281	379	923	957	935	942	962	178	287
	Engine Lm/W	23	24	33	86	85	82	83	85	26	26
	Luminaire Cd	7143	7782	5768	2217	1252	948	789	1815	737	1381
POWER	Voltage	36V	36V	34V				36V			
	Drive Current	180mA	300mA	300mA				300mA			
	Circuit Power (typ)	7.8W	12.2W	11.4W				12.2W			

		3000K									
		SPOT			SOFT				SPECIALITY		
LIGHT VALUES	Beam Width FWHM	Ultra 8°	Spot 10°	Narrow 14°	Medium 28°	Wide 46°	Flood 57°	Wash 67°	Crisp 39°	Elliptical 10x45°	Elliptical 20x40°
	Initial Lumens	561	935	1252	1252	1252	1252	1252	1252	935	935
	Engine Lumens	204	302	561	1013	1026	999	1013	1025	354	350
	Luminaire Lumens	203	292	407	989	1024	998	992	1024	231	263
	Engine Lm/W	26	25	36	89	90	88	89	90	29	29
	Luminaire Cd	6953	7572	5897	2232	1313	999	802	1871	814	1447
POWER	Voltage	36V	36V	34V				36V			
	Drive Current	180mA	300mA	300mA				300mA			
	Circuit Power (typ)	7.8W	12.2W	11.4W				12.2W			

Binning SDCM (Hot)	2
CRI (typ)(R9)	98 (99)
TM30 Rf Rg	Rf 94 Rg 100
Lifetime (TM21)	L90 B5 50,000hrs (inc driver)
Lifetime (Calculated)	L70 426,000hrs
Protocols	Mains Dim / DALI / 0-10V / Non-dim
Dim to Dark	0.1% Lux
Distance from LED	20m / 65' (series wiring)
Emergency	Emergency packs available

## SPECIFICATION CODE

Engine type	Bezel	Colour Temp	Driver	Beam Width	Bezel Colour	Options
<b>OR</b>	<b>- CN</b>	<b>- 27</b>	<b>M</b>	<b>S</b>	<b>- W</b>	<b>- F 54 E</b>
27 / 2700K 30 / 3000K 40 / 4000K			M / Mains Dim D / DALI 0 / 0-10v N / Non Dim X / No Driver	U / Ultra S / Spot N / Narrow M / Medium W / Wide F / Flood H / Wash C / Crisp L / Elliptical Linear O / Elliptical Oval	W / White RAL 9010 D / White RAL 9003 B / Black RAL 9005 C / Other RAL V / Dark Bronze* T / Medium Bronze* R / Light Bronze* Y / Burnished Brass* G / Polished Brass K / Brushed Chrome L / Polished Chrome Z / Other Metallic	F / 60 min Fire Rated Plate 54 / IP54 65 / IP65 P / Sea & Spa IP65 J / Plaster-in plate E / 3hr Emergency Z / LSZH Cable K / Click Connector F- / 60 min Fire Rated Hood

\* - Fire Rated Hood must be used with Dark Bronze, Medium Bronze, Light Bronze and Burnished Brass Bezels