

BERT FRANK



COLT

FINISHES

The solid brass metalwork is available in Bert Frank's four standard finishes: Brushed Brass, Antique Brass, Dark Bronze, Satin Nickel. The light shades are available in eleven different colourways and the leather has five contrasting options.

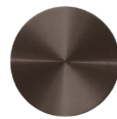
SOLID BRASS METALWORK



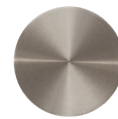
BRUSHED BRASS



ANTIQUE BRASS

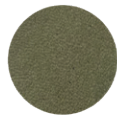


DARK BRONZE



SATIN NICKEL

LEATHER INLAY



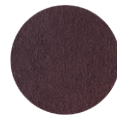
OLIVA GREEN



NAPOLI TAN



PAPAVERO RED



CASTAGNO
BROWN



NAVY

POWDER COAT FINISHES



TEXTURED
CREAM



TEXTURED
BLUE



TEXTURED
GREEN



TEXTURED
OXBLOOD



TEXTURED
BLACK



SATIN WHITE



SATIN DOVE



SATIN MUSTARD



SATIN OLIVE



SATIN BLACK

WALL LIGHT DOUBLE



MATERIALS

Brass | Powder coated detail

FINISHES

Standard finishes listed below
 Bespoke finishes available upon request
 Metalwork lacquered as standard

DIMMING

Mains dimmable | TRIAC as standard
 DALI | requires external driver

LIGHT SOURCE

31W | 2900lm | 24V | 2700k
 2 x 15.5 W LED Module | 1450lm

DRIVER

2 x 20W LED Integrated driver

DIMENSIONS

H 567mm | W 147.5mm
 H 22.3in | W 5.8in
 8.5kg | 18.7lbs

WALL PLATE

H 235mm | W 60mm
 H 9.2in | W 2.3in
 4in J-box plate available

FINISHES



BRUSHED BRASS | LEFT



ANTIQUE BRASS | LEFT

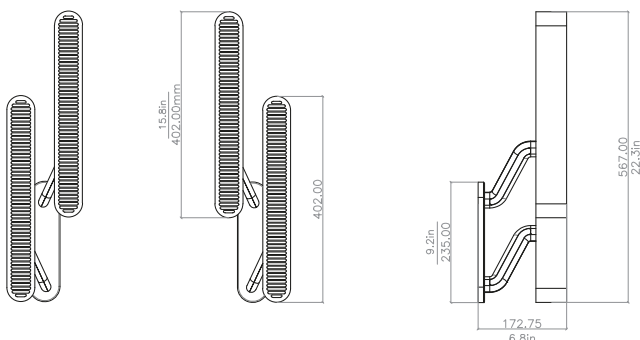


DARK BRONZE | RIGHT



SATIN NICKEL | RIGHT

LINE DRAWINGS



BERT FRANK

+44 (0) 207 164 6482 | sales@bertfrank.co.uk
www.bertfrank.co.uk | 67 Farringdon Road, London EC1M 3JB, UK