

erluna

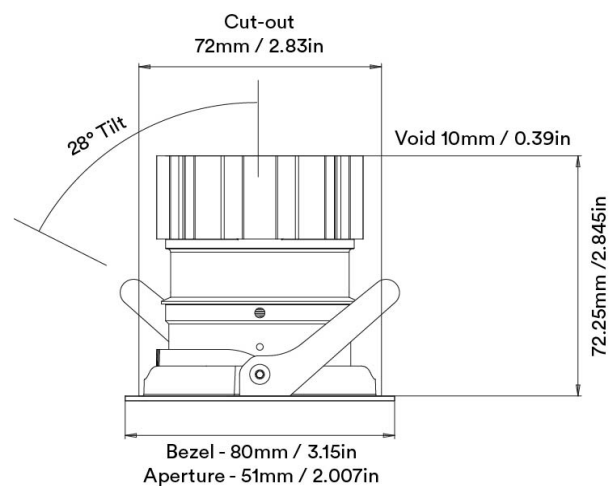
dino adjustable  
origin

circular product



# dino adjustable origin

# circular product



Unit height increases by  
21.65mm / 0.85in  
for spot and elliptical beams

# dino adjustable origin

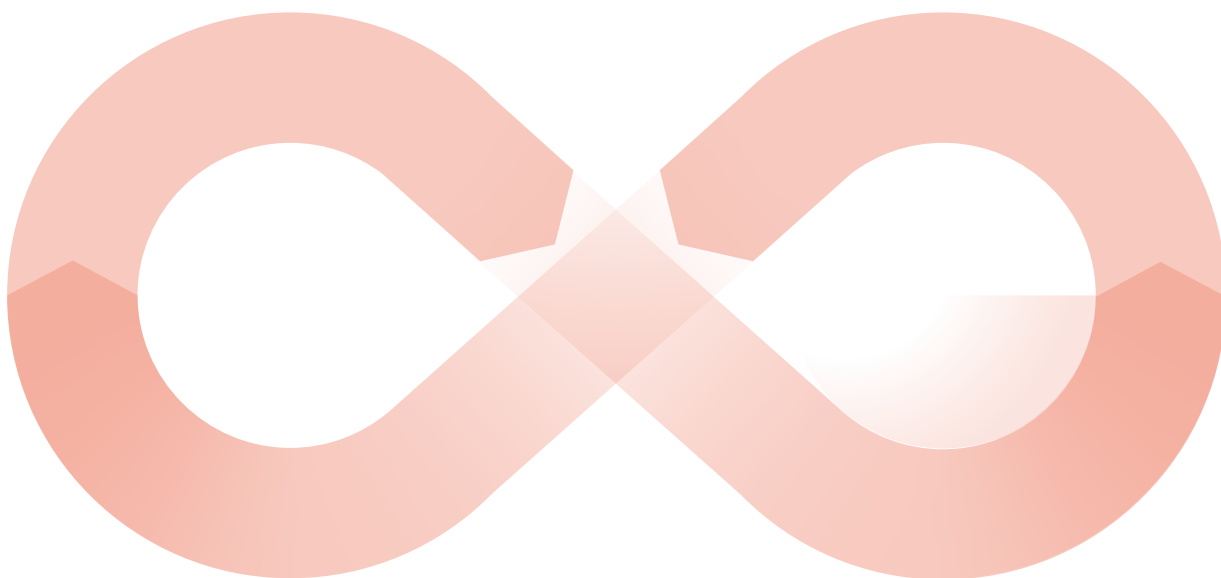
# circular product

When an old Orluna light comes to the end of its life, or is faulty, instead of throwing it away, we kindly ask you to return it to us.

**1**

The fully repaired and tested product enters back into our stock – with a brand new warranty.

**3**

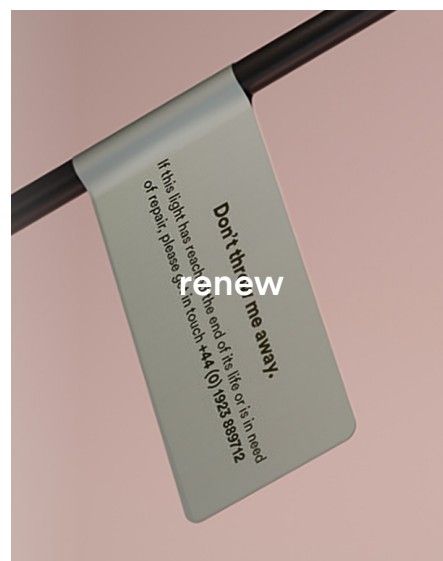


The 'new' light fitting is despatched to a new customer.

**4**

Once we've received the unwanted or faulty fitting, it's dismantled, repaired and renewed with a new LED and PCB.

**2**



# dino adjustable origin

# circular product

		2700K									
		SPOT			SOFT				SPECIALITY		
LIGHT VALUES	Beam Width FWHM	Ultra 8°	Spot 10°	Narrow 14°	Medium 27°	Wide 43°	Flood 51°	Wash 58°	Crisp 37°	Elliptical 10x45°	Elliptical 20x40°
	Initial Lumens	526	893	1164	1164	1164	1164	1164	1164	893	893
	Engine Lumens	183	295	380	975	968	935	942	970	323	320
	Luminaire Lumens	153	267	364	704	722	696	719	771	195	275
	Engine Lm/W	23	24	33	86	85	82	83	85	26	26
	Luminaire Cd	5520	7248	5581	2155	1265	963	800	1830	726	1299
POWER	Voltage	36V	36V	34V				36V			
	Drive Current	180mA	300mA	300mA				300mA			
	Circuit Power (typ)	7.8W	12.2W	11.4W				12.2W			

		3000K									
		SPOT			SOFT				SPECIALITY		
LIGHT VALUES	Beam Width FWHM	Ultra 9°	Spot 10°	Narrow 14°	Medium 27°	Wide 43°	Flood 52°	Wash 59°	Crisp 37°	Elliptical 10x45°	Elliptical 20x40°
	Initial Lumens	561	935	1252	1252	1252	1252	1252	1252	935	935
	Engine Lumens	204	302	407	1013	1026	999	1013	1025	354	350
	Luminaire Lumens	197	289	389	751	767	743	765	823	201	261
	Engine Lm/W	26	25	36	89	90	88	89	90	29	29
	Luminaire Cd	6511	7324	5558	2039	1247	932	806	1891	711	1407
POWER	Voltage	36V	36V	34V				36V			
	Drive Current	180mA	300mA	300mA				300mA			
	Circuit Power (typ)	7.8W	12.2W	11.4W				12.2W			

Binning SDCM (Hot)	2
CRI (typ)(R9)	98 (99)
TM30 Rf Rg	Rf 93.8 Rg 101.9
Lifetime (TM21)	L90 B5 50,000hrs (inc driver)
Lifetime (Calculated)	L70 426,000hrs
DRIVER	Protocols: Mains Dim / DALI / 0-10V / Non-dim Dim to Dark: 0.1% Lux Distance from LED: 20m / 65' (series wiring) Emergency: Emergency packs available

## SPECIFICATION CODE

Engine type	Bezel	Colour Temp	Driver	Beam Width	Bezel Colour	Baffle Colour	Options
<b>OR</b>	<b>- DIR</b>	<b>- 27</b>	<b>M</b>	<b>S</b>	<b>- W</b>	<b>- BB</b>	<b>- F 54 E</b>
27 / 2700K 30 / 3000K 40 / 4000K			M / Mains Dim D / DALI 0 / 0-10v N / Non Dim X / No Driver	U / Ultra S / Spot N / Narrow M / Medium W / Wide F / Flood H / Wash C / Crisp L / Elliptical Linear O / Elliptical Oval	W / White RAL 9010 D / White RAL 9003 B / Black RAL 9005 C / Other RAL V / Dark Bronze* T / Medium Bronze* R / Light Bronze* Y / Burnished Brass* G / Polished Brass K / Brushed Chrome L / Polished Chrome Z / Other Metallic	WB / White RAL 9010 DB / White RAL 9003 BB / Black RAL 9005 CB / Other RAL VB / Dark Bronze TB / Medium Bronze RB / Light Bronze YB / Burnished Brass GB / Polished Brass KB / Brushed Chrome LB / Polished Chrome ZB / Other Metallic	F / 60 min Fire Rated Plate 54 / IP54 65 / IP65 P / Sea & Spa IP65 C / Constant Torsion** T / Lockable Tilt & Rotate J / Plaster-In Plate E / 3hr Emergency H / Honeycomb N / Frosted Lens Z / LSZH Cable K / Click Connector F- / 60 min Fire Rated Hood

\* - Fire Rated Hood must be used with Dark Bronze, Medium Bronze, Light Bronze and Burnished Brass Bezels  
\*\* - NOTE: Fire Hood if used with constant torsion springs.

