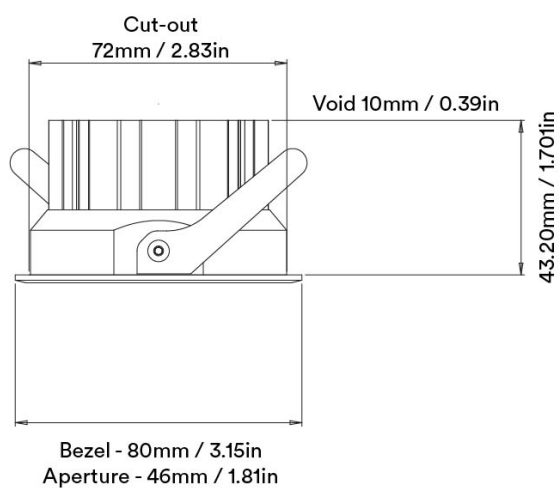
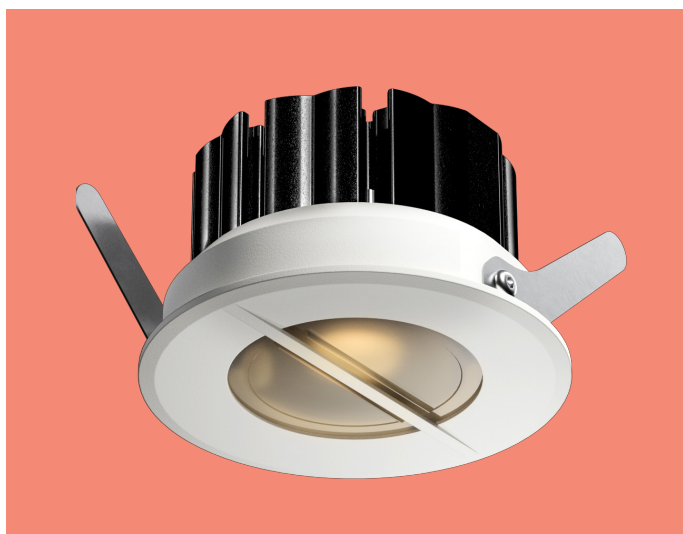
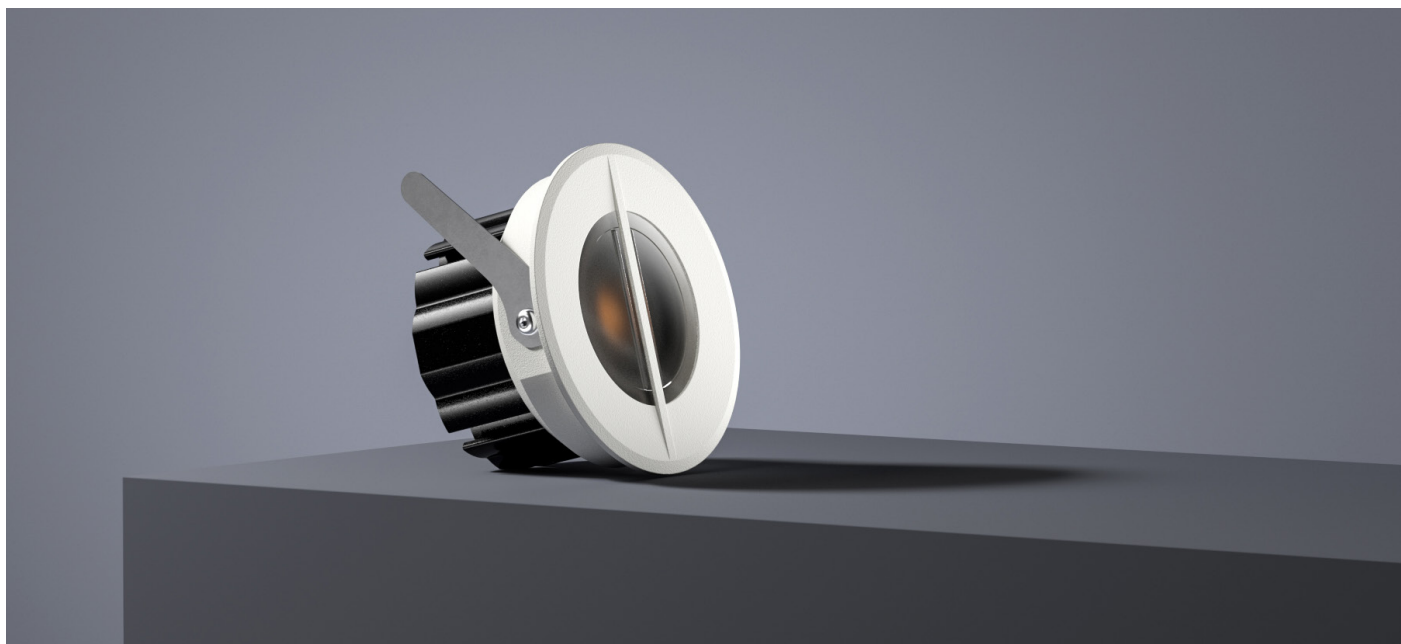


erluna

duet
origin

circular product



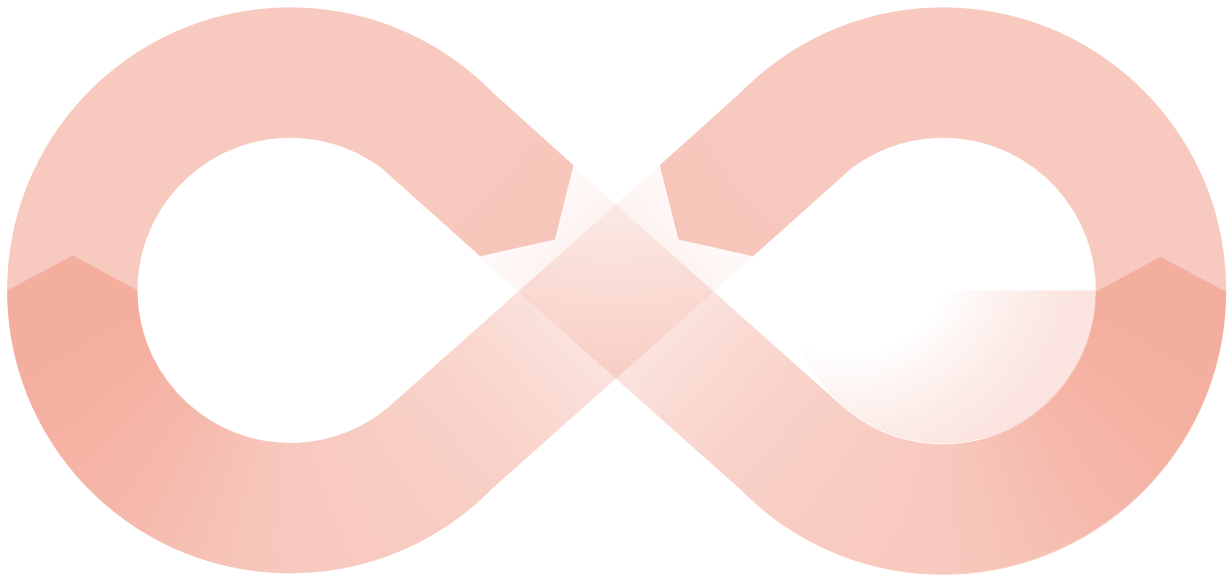


When an old Orluna light comes to the end of its life, or is faulty, instead of throwing it away, we kindly ask you to return it to us.

1

The fully repaired and tested product enters back into our stock –with a brand new warranty.

3

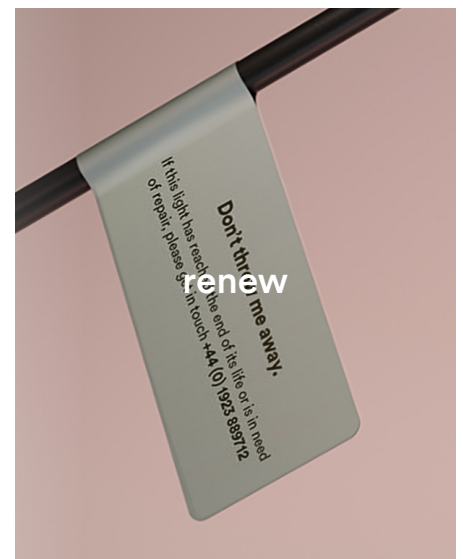


The 'new' light fitting is despatched to a new customer.

4

Once we've received the unwanted or faulty fitting, it's dismantled, repaired and renewed with a new LED and PCB.

2



	2700K	
	SPECIALITY	
LIGHT VALUES	Double Wallwash	
	Asymmetrical	
	Beam Width FWHM	
	Initial Lumens	1164
	Engine Lumens	828
	Luminaire Lumens	828
POWER	Engine Lm/W	73
	Luminaire Cd	518
	Voltage	34V
	Drive Current	300mA
	Circuit Power (typ)	11.4W

	3000K	
	SPECIALITY	
LIGHT VALUES	Double Wallwash	
	Asymmetrical	
	Beam Width FWHM	
	Initial Lumens	1252
	Engine Lumens	943
	Luminaire Lumens	943
POWER	Engine Lm/W	83
	Luminaire Cd	819
	Voltage	34V
	Drive Current	300mA
	Circuit Power (typ)	11.4W

DRIVER	Binning SDCM (Hot)	2
	CRI (typ)(R9)	98 (99)
	TM30 Rf Rg	Rf 93.8 Rg 100.9
	Lifetime (TM21)	L90 B5 50,000hrs (inc driver)
	Lifetime (Calculated)	L70 426,000hrs
DRIVER	Protocols	Mains Dim / DALI / 0-10V / Non-dim
	Dim to Dark	0.1% Lux
	Distance from LED	20m / 65' (series wiring)
	Emergency	Emergency packs available

SPECIFICATION CODE

Engine type	Bezel	Colour Temp	Driver	Beam Width	Bezel Colour	Options
OR	- DU	- 27	M	A	- W	- F 54 E
		27 / 2700K 30 / 3000K 40 / 4000K	M / Mains Dim D / DALI 0 / 0-10V N / Non Dim X / No Driver	A / Asymmetrical	W / White RAL 9010 D / White RAL 9003 E / White RAL 9016 B / Black RAL 9005 C / Other RAL	F / 60 min Fire Rated Plate 54 / IP54 65 / IP65 P / Sea & Spa IP65 *C / Constant Torsion J / Plaster-In Plate E / 3hr Emergency Z / LSZH Cable K / Click Connector

*NOTE: Fire Hood if used with constant torsion springs