

## Installation Guide

# BASALT TRIPLE PENDANT

---

Thoughtful lighting, responsibly designed in London.

Thank you for making the switch to Tala.  
Discover the full Tala family at [tala.co.uk](http://tala.co.uk)

---

### BEFORE STARTING

We advise the fitting of our ceiling rose and pendant to be performed by a qualified electrician. Please read through these instructions before commencing work, and keep them for future reference. Please take extreme care when carrying out these instructions.

### IMPORTANT

This light fitting must be connected to the supply earth. If your lighting circuit does not have an earth, ask a qualified electrician to provide an earth facility. This light fitting is suitable for indoor use only. This fitting operates on 240V mains voltage. Please visit our website to see our recommended dimmers.

### WARNING

You must switch off electricity supply at the mains during installation and maintenance. We strongly recommend that you withdraw the fuse or switch off the circuit breaker whilst work is in progress. Do not only turn off the wall switch. All fittings must be installed in accordance with current Building Regulations and IEE Wiring Regulations.

### RECOMMENDED EQUIPMENT

- Screwdriver
- Wire strippers
- Insulation tape

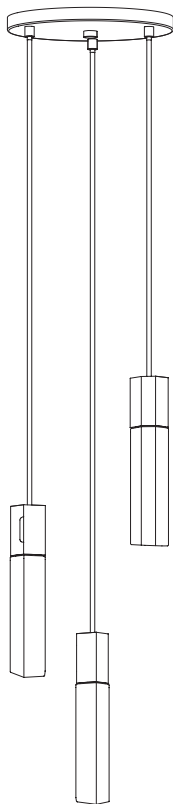
Further equipment may be required for fixing to your ceiling

---

FOR INDOOR USE ONLY

SKU - BSALT-I-SET-TRI-PD-01-EU

SKU - BSALT-I-SET-TRI-PD-02-EU



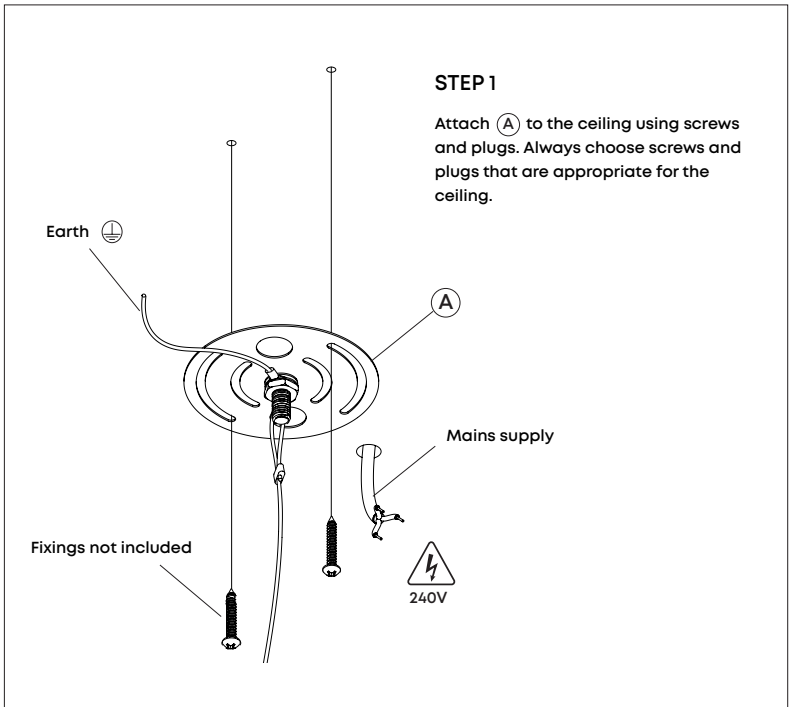
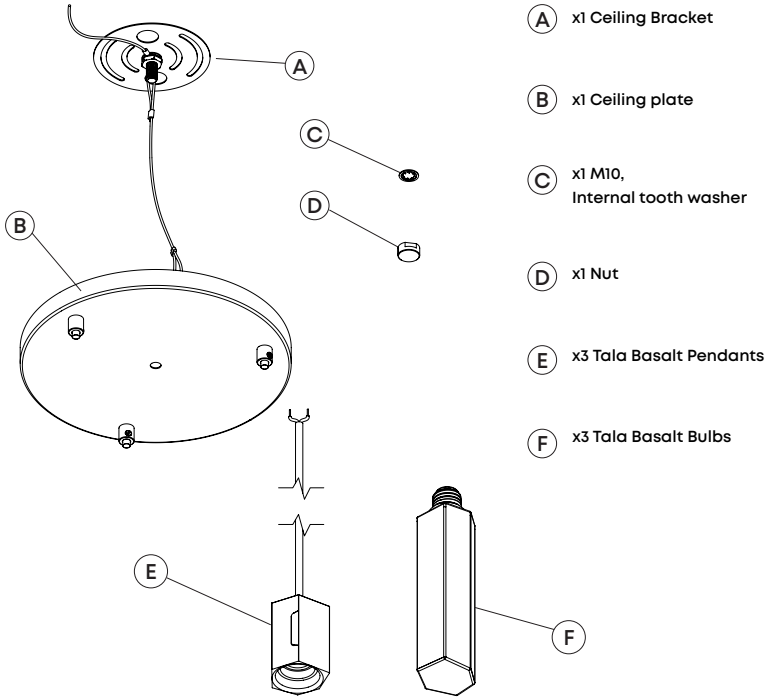
FOR INDOOR USE ONLY

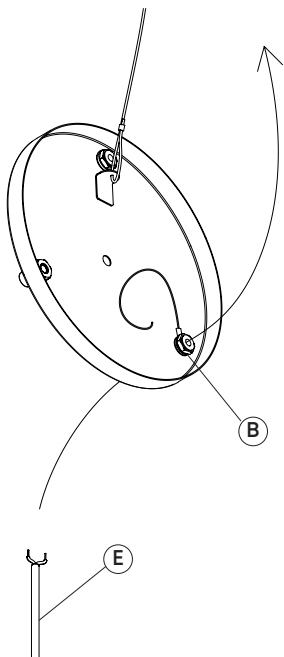
SKU - BSALT-I-SET-TRI-PD-01-EU

SKU - BSALT-I-SET-TRI-PD-02-EU



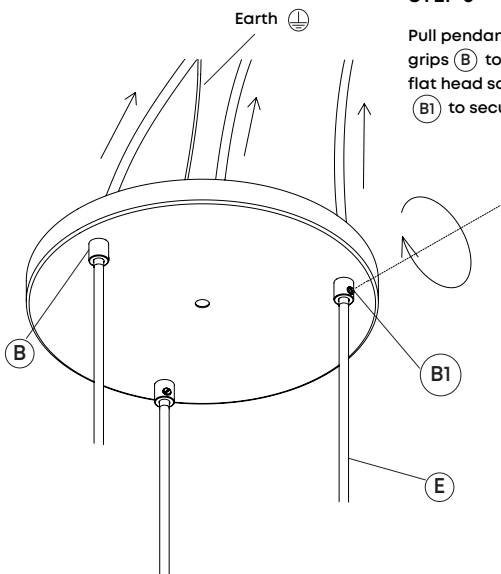
# Basalt Triple - Provided Components





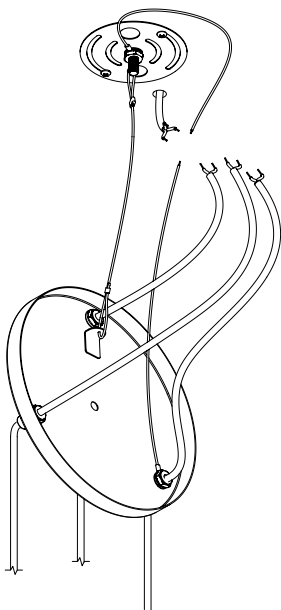
## STEP 2

Thread all three pendant cables (E) through ceiling plate cord grips (B).



## STEP 3

Pull pendant cables (E) through cord grips (B) to your desired length. Using a flat head screwdriver, tighten set screws (B1) to secure them in place.

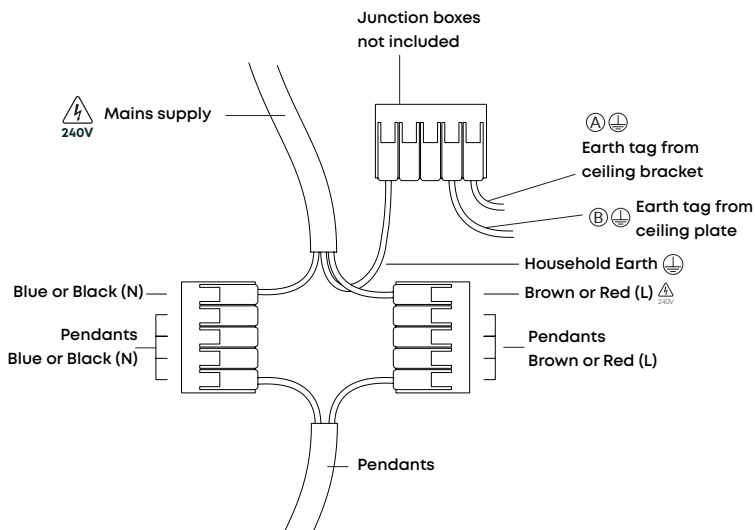


#### STEP 4

Cut off excess cable and strip wires to expose the copper core. Maintain all double insulation.

#### STEP 5

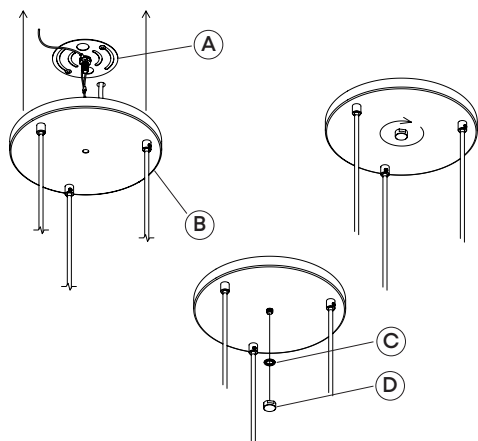
Connect the pendants, plate and mains wiring as shown.



### STEP 6

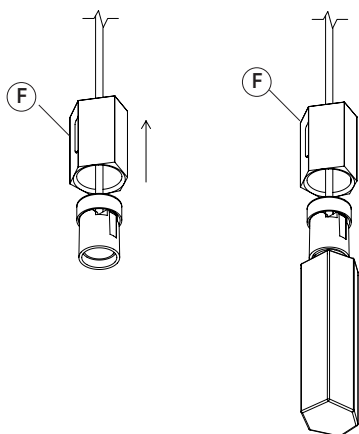
Move (B) up onto (A).  
Use toothed washer (C) and  
nut (D) to secure it in place.

Do a final tighten with the  
correct spanner.



### STEP 7

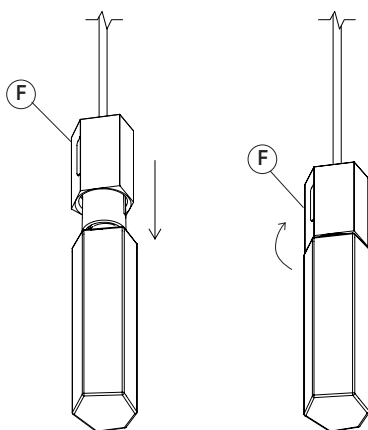
Lift metal sleeve (F) and  
screw in the bulb firmly.  
Take care not to let the metal  
sleeve fall onto the bulb.



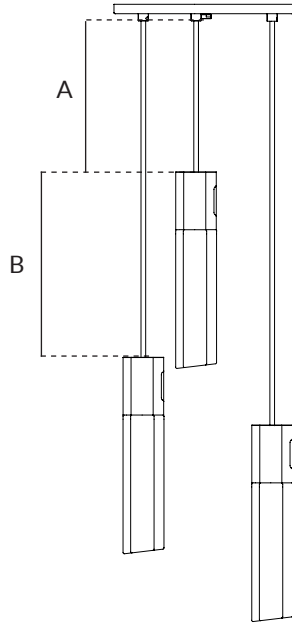
### STEP 8

Carefully lower metal sleeve (F)  
onto the bulb and rotate  
until the sides of the sleeve  
align with the bulb.

Make any final adjustments  
before switching on the  
lights.



## PENDANT DISPLAY GUIDE



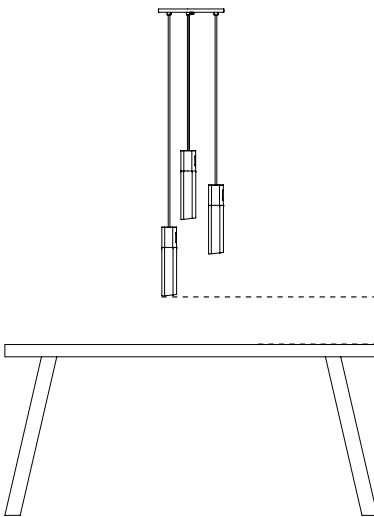
### MINIMUM CORD LENGTH (A)

For all bulbs shortest recommended cord length is 300mm.

### DISTANCE BETWEEN PENDANTS (B)

Recommended minimum distance between pendant is 100mm.

## PENDANTS - RECOMMENDED CABLE LENGTHS



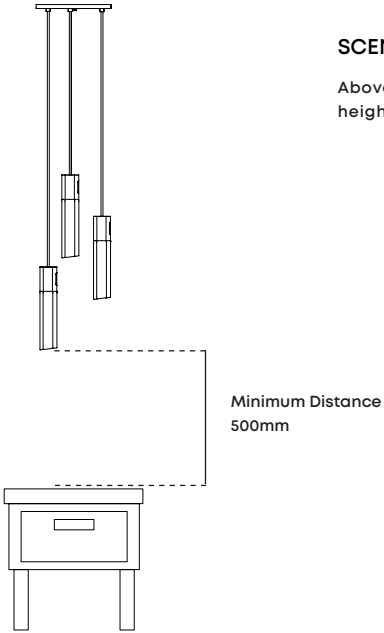
### SCENARIO 1

Above a coffee or dining table, or where height is required for seated tasks

Minimum Distance  
700mm

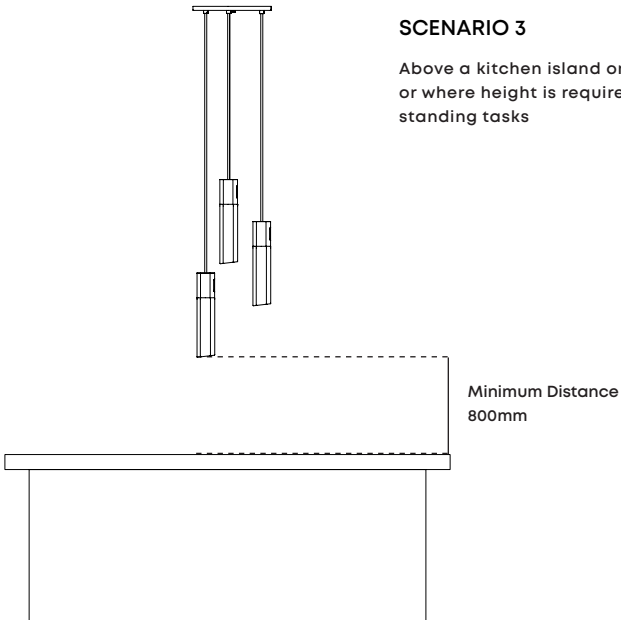
## SCENARIO 2

Above side tables, or where height is required for storage



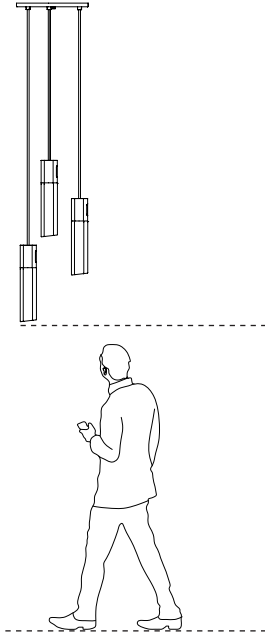
## SCENARIO 3

Above a kitchen island or bar, or where height is required for standing tasks



## SCENARIO 4

Above a stairwell or walkway, or where height is required for walking underneath.



Minimum Distance  
2.2m (7 Ft)


---

## WARRANTY AND AFTER-CARE

This product has a two-year warranty. If there appears to be a functional defect with the product during this time, please contact our team at [customerservice@tala.co.uk](mailto:customerservice@tala.co.uk).

Please note, the flexible cable attached to this luminaire cannot be replaced; if the cable is damaged, recycle the luminaire and seek a replacement.

---

This symbol  indicates that electrical and electronic equipment (WEEE) should not be mixed with general household waste.

For recovery and recycling, please take this product to a designated collection point where it will be accepted free of charge. Many retailers offer this in-store. Disposing of this product correctly will help save valuable resources and prevent any potential negative effects on human health and the environment.

## Join the Community

Instagram: @tala | Facebook: talaHQ | Pinterest: TalaLED | Tag: lighttoliveby  
Tala Energy Ltd. 25B Vyner Street, London E2 9DG | [hello@tala.co.uk](mailto:hello@tala.co.uk)  
Tala Europe B.V, Bertus Aafjeshove 40, Nieuwegein 3437JN, Netherlands