

## Installation Guide

# NINE PENDANT

Thoughtful lighting, responsibly designed in London.

Thank you for making the switch to Tala.  
Discover the full Tala family at [tala.co.uk](http://tala.co.uk)

### BEFORE STARTING

We advise the fitting of our canopy and pendants to be performed by a qualified electrician. Please read through these instructions before commencing work, and keep them for future reference. Please take extreme care when carrying out these instructions.

### IMPORTANT

This light fitting must be connected to the supply earth. If your lighting circuit does not have an earth, ask a qualified electrician to provide an earth facility. This light fitting is suitable for indoor use only. This fitting operates on 240V mains voltage. Please visit our website to see our recommended dimmers.

### WARNING

You must switch off electricity supply at the mains during installation and maintenance. We strongly recommend that you withdraw the fuse or switch off the circuit breaker whilst work is in progress. Do not only turn off the wall switch. All fittings must be installed in accordance with current Building Regulations and IEE Wiring Regulations.

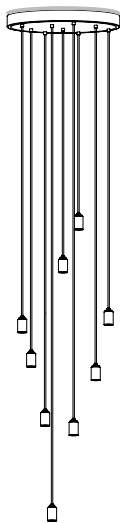
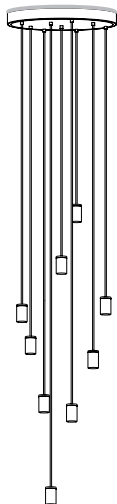
### RECOMMENDED EQUIPMENT

- Screwdriver
- Wire strippers
- Insulation tape

Further equipment may be required for fixing to your ceiling

SKU - CP-WHT-LRG-OP-01-EU  
SKU - CP-WHT-LRG-WP-01-EU  
SKU - CP-WHT-LRG-BP-01-EU  
SKU - CP-BLK-LRG-GP-01-EU

FOR INDOOR USE ONLY



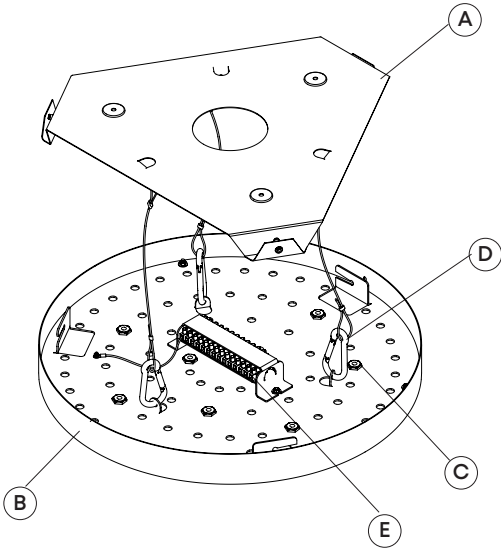
Scan me for more  
technical help



IP20

220 - 240V~

# Nine Pendant - Provided Components



(A) x3 Ceiling bracket

(B) x1 Ceiling plate

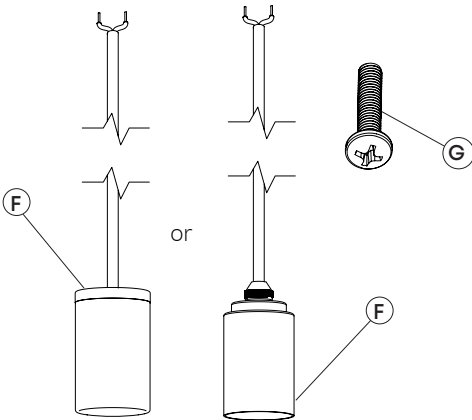
(C) x9 Cord grips

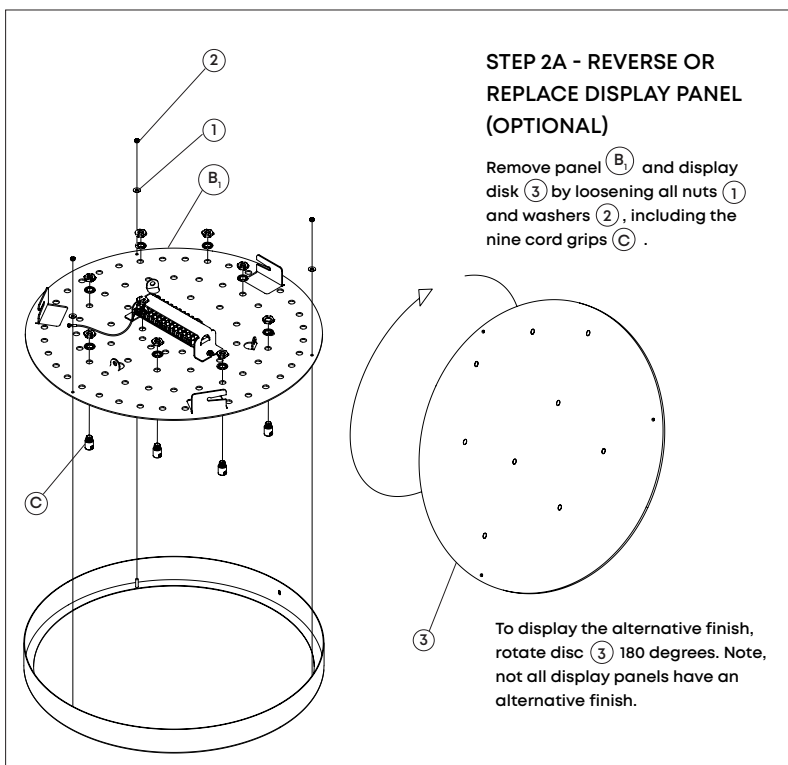
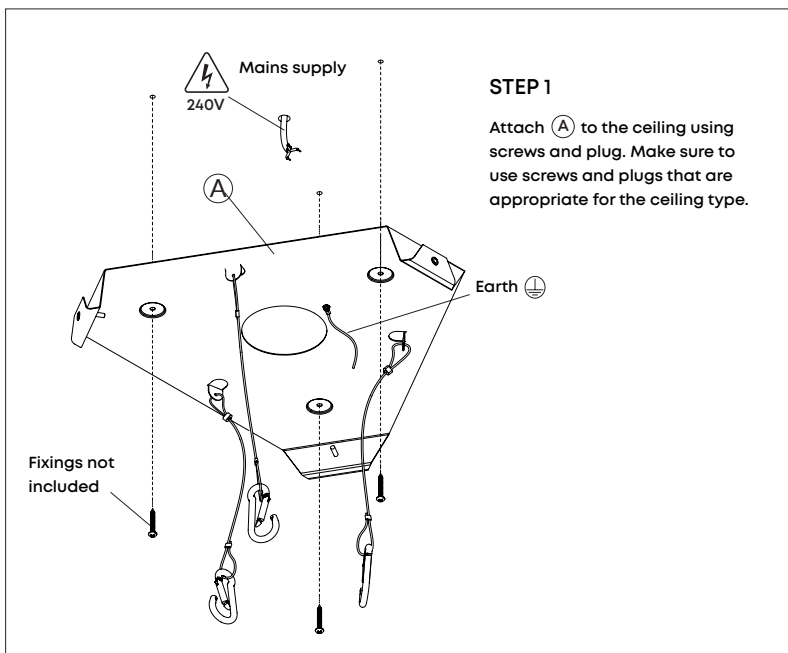
(D) x3 Safety tethers and clips

(E) x1 Junction box

(F) x9 Tala Pendants  
*Oak, Walnut,  
Brass or Graphite*

(G) x1 M4 20MM bolt



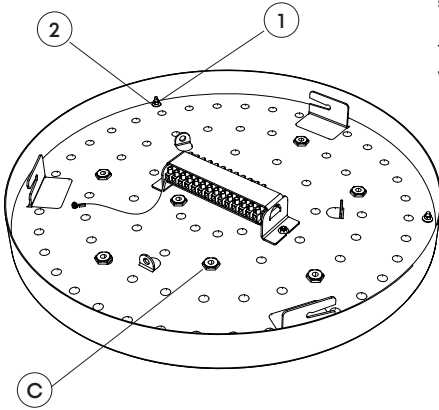


## STEP 2B

Re-assemble the plate in the same order and fasten it securely with nuts (1) and washers (2).

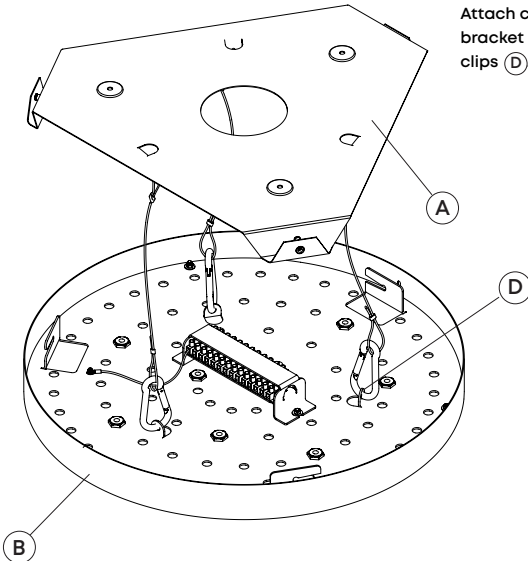
Replace the Cord grips (C) and secure with the nuts and washers.

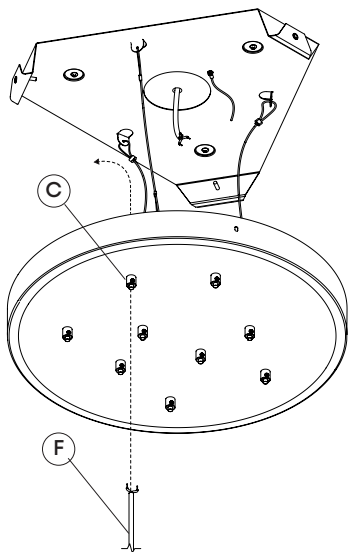
Tighten all firmly with a spanner/ wrench.



## STEP 3

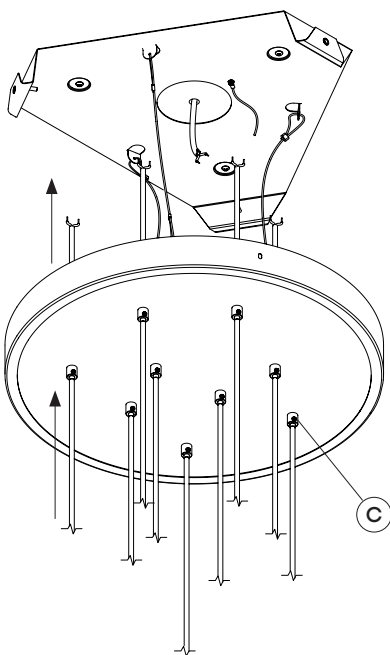
Attach ceiling plate (B) to ceiling bracket (A) using safety tether clips (D).





#### STEP 4

Thread all nine pendant cables **F** through ceiling plate cord grips **C**



#### STEP 5

Pull cables through to your desired length. See end of this guide for our recommended lengths and distance between bulbs.

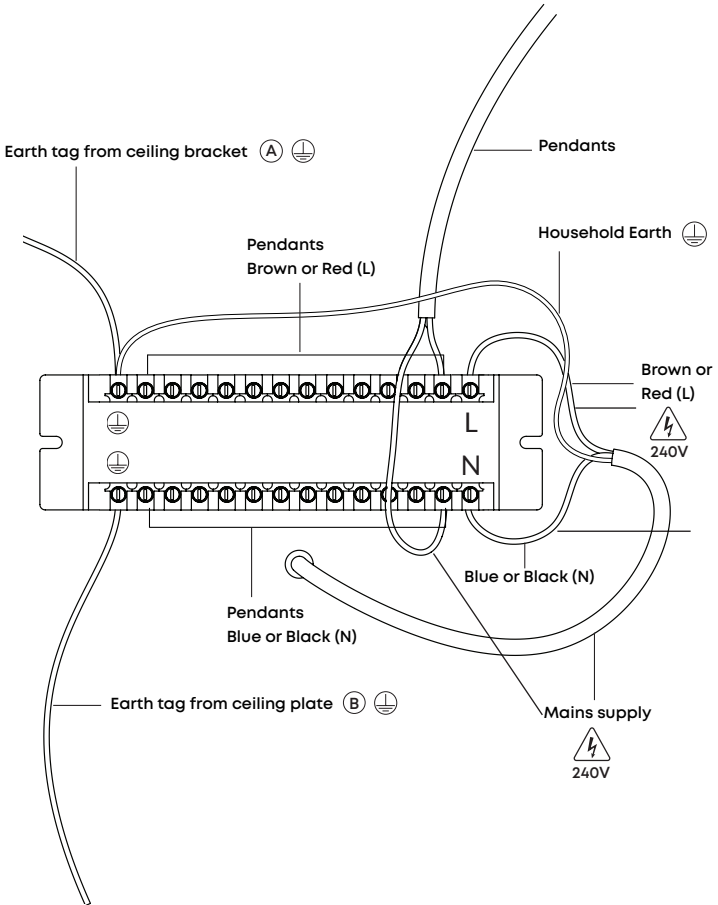
Using a flat head screwdriver, tighten set screws **C** to secure them.

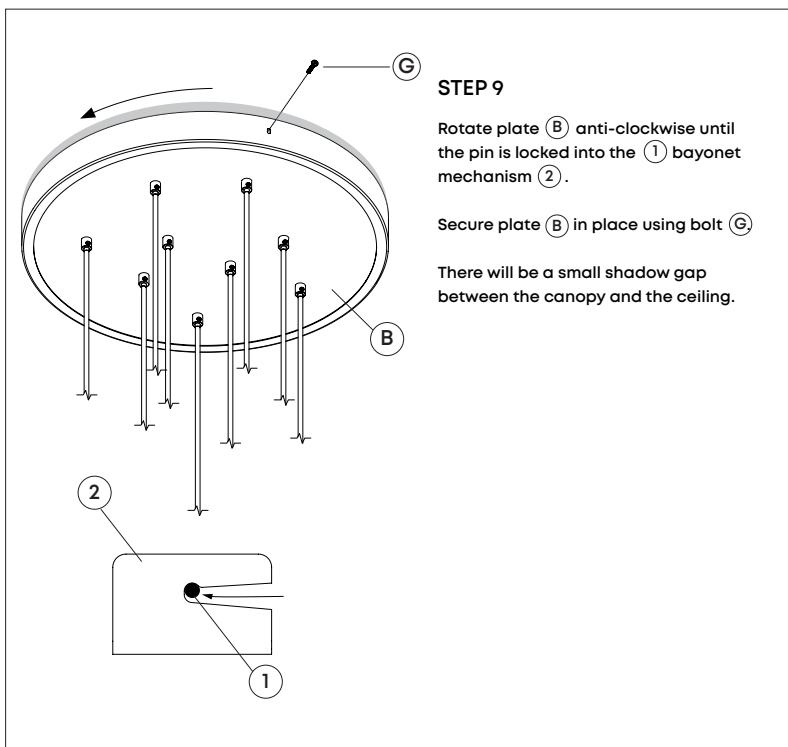
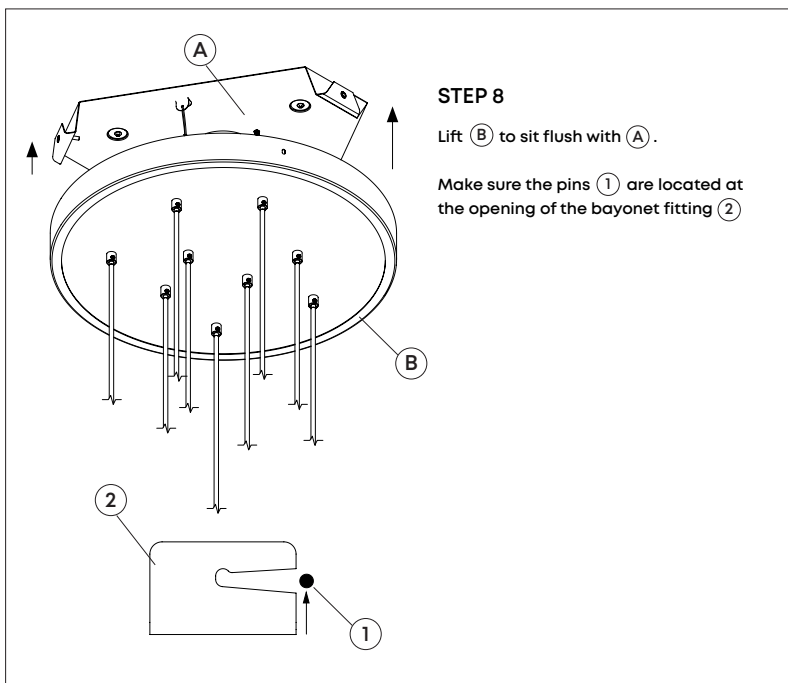
#### STEP 6

Cut off excess cable and strip wires to expose the copper core. Maintain all double insulation.

## STEP 7

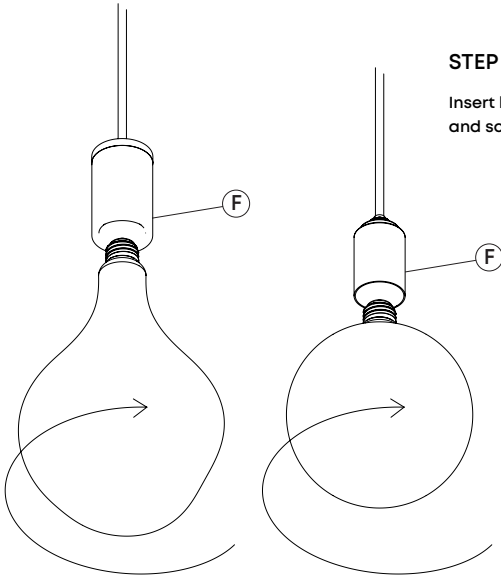
Connect the pendants, plate and mains wiring as shown.





## STEP 10

Insert bulbs into pendants (F) and screw clockwise



## PENDANTS DISPLAY GUIDE

### MINIMUM CORD LENGTH (A)

For all bulbs shortest recommended cord length is 350mm

### DISTANCE BETWEEN PENDANTS (B)

Recommended minimum distance between pendant, dependant on bulb style, are as follows:

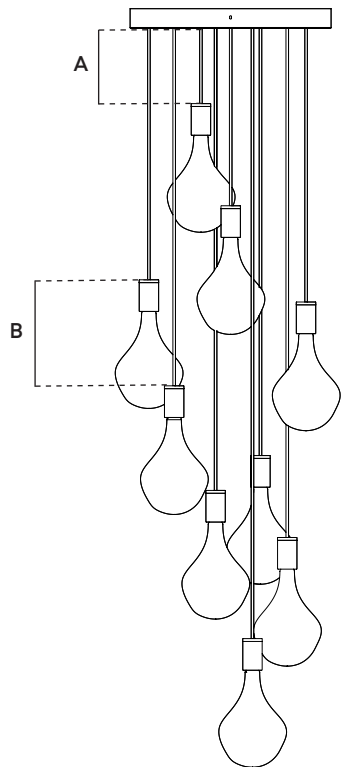
Voronoi I - 150mm

Voronoi II - 200mm

Voronoi III - 350mm

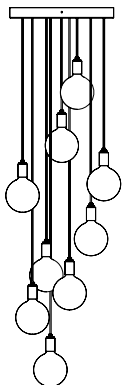
Sphere IV - 150mm

All other bulbs - 100mm



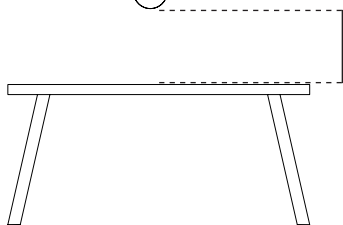


## PENDANTS - RECOMMENDED CABLE LENGTHS



### SCENARIO 1

Above a coffee or dining table,  
or where height is required for  
seated tasks

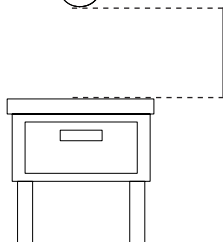


Minimum Distance  
700mm

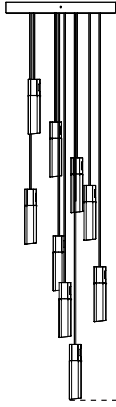


### SCENARIO 2

Above side tables, or where  
height is required for storage



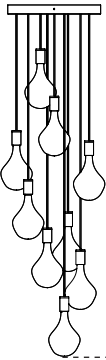
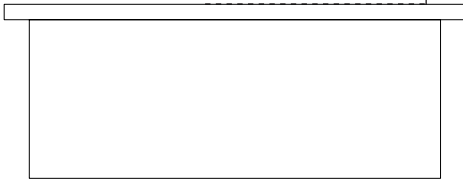
Minimum Distance  
500mm



### SCENARIO 3

Above a kitchen island or bar,  
or where height is required for  
standing tasks

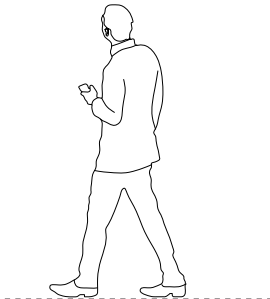
Minimum Distance  
800mm



### SCENARIO 4

Above a stairwell or walkway,  
or where height is required for  
walking underneath

Minimum Distance  
2.2m




---

## WARRANTY AND AFTER-CARE

This product has a two-year warranty. If there appears to be a functional defect with the product during this time, please contact our team at [customerservice@tala.co.uk](mailto:customerservice@tala.co.uk).

Please note, the flexible cable attached to this luminaire cannot be replaced; if the cable is damaged, recycle the luminaire and seek a replacement.

---

This symbol  indicates that electrical and electronic equipment (WEEE) should not be mixed with general household waste.

For recovery and recycling, please take this product to a designated collection point where it will be accepted free of charge. Many retailers offer this in-store. Disposing of this product correctly will help save valuable resources and prevent any potential negative effects on human health and the environment.

### Join the Community

Instagram: @tala | Facebook: talaHQ | Pinterest: TalaLED | Tag: lighttoliveby  
Tala Energy Ltd. 25B Vyner Street, London E2 9DG | [hello@tala.co.uk](mailto:hello@tala.co.uk)  
Tala Europe B.V, Bertus Aafjeshove 40, Nieuwegein 3437JN, Netherlands