

ITA PENDING 3

de Douglas Mont

FICHE TECHNIQUE TECHNICAL SHEET



SUSPENSION PENDANT LAMP

Matériaux Acier , Verre

Materials Steel, Glass

Poids Net 6,3 Kg

Net Weight

Embase Ø 160 x 30 mm

Base

Emballage 965 x 885 x 145 mm

Packaging

IP 20

IP

Tension 220-240 V

Voltage

Classe 2

Class

Watt (x3) 10 W

Watt

Source (x3) E27 LED (A60 FROST)

Source

Lumens (x3) 806 Lm (valeur indicative)

Lumens output

(x3) 806 Lm (indicative value)

Driver NA

Driver

Câble Tissu Noir - 3 m

Wire

Black Fabric - 3 m

Interrupteur NA

Switch

Fiches NA

Plug

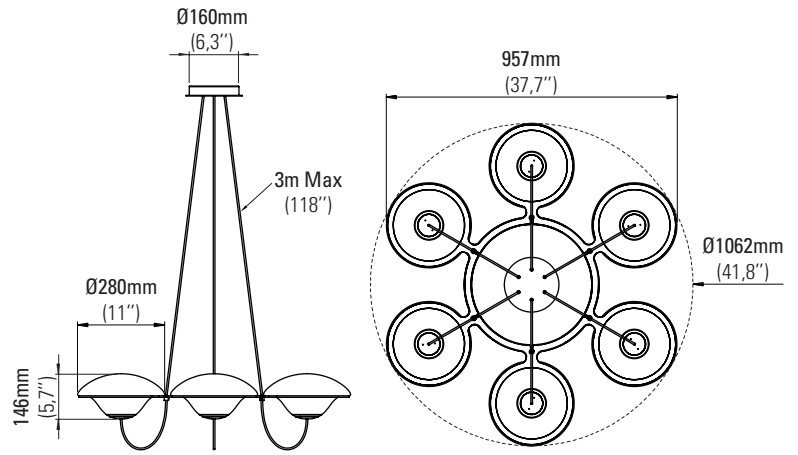
FINITION FINISHES



Black

BL





ITA PENDING 6 de Douglas Mont

FICHE TECHNIQUE TECHNICAL SHEET



SUSPENSION PENDANT LAMP

Matériaux Acier , Verre
Materials Steel, Glass

Poids Net 8,8 Kg
Net Weight

Embase Ø 160 x 30 mm
Base

Emballage 1155 x 1050 x 145 mm
Packaging

IP 20
IP

Tension 220-240 V
Voltage

Classe 2
Class

Watt (x6) 10 W
Watt

Source (x6) E27 LED (A60 FROST)
Source

Lumens (x6) 806 Lm (valeur indicative)
Lumens output (x6) 806 Lm (indicative value)

Driver NA
Driver

Câble Tissu Noir - 3 m
Wire Black Fabric - 3 m

Interrupteur NA
Switch

Fiches NA
Plug

FINITION FINISHES



Black

BL

