

# Frame, nature's, *imprint.*

design Terzani Lab  
terzani.com

**TERZANI**  
LA LUCE PENSATA



**Name**  
Frame  
small cylinder pendant light

**Materials**  
clear



### Finishes | Code

-  white | clear  
0Q01S E8 A9
-  coral | clear  
0Q01S H1 A9
-  silver plated | clear  
0Q01S G7 A9
-  gold plated | clear  
0Q01S L6 A9

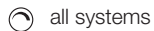


**Light source**  
230-240V ~ 50/60Hz



LED  
4W E14

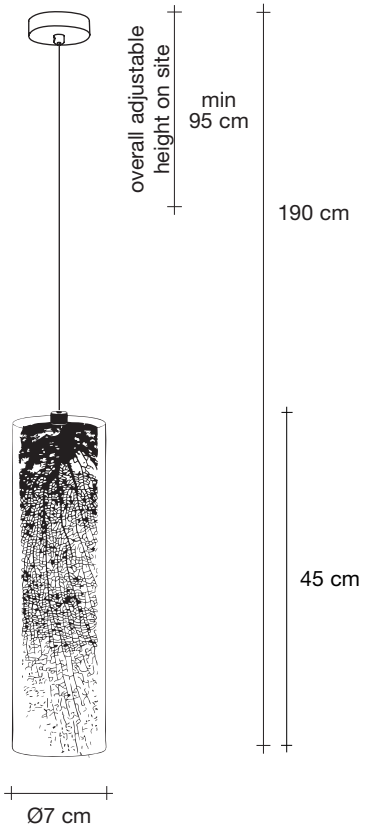
dimnable options



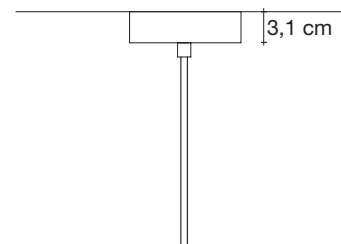
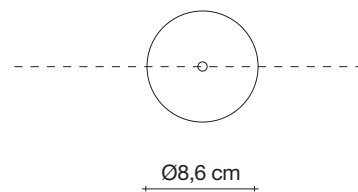
all systems

Capturing a moment in time, Frame features a metal coral leaf, enclosed inside a borosilicate glass preserving a delicate imprint of nature. Hidden inside is a single bulb which glows from within. Creating a stirring light that projects a dynamic shadow due to the permeable coral. Frame is available in white, red, gold plated or silver plated. Design Terzani Lab. Made in Italy.

### Body



### Canopy



# Frame, nature's, *imprint.*

design Terzani Lab  
terzani.com

**TERZANI**  
LA LUCE PENSATA



**Name**  
Frame  
large cylinder pendant light

**Materials**  
clear



### Finishes | Code

-  white | clear  
0Q02S E8 A9
-  coral | clear  
0Q02S H1 A9
-  silver plated | clear  
0Q02S G7 A9
-  gold plated | clear  
0Q02S L6 A9




**Light source**  
230-240V ~ 50/60Hz



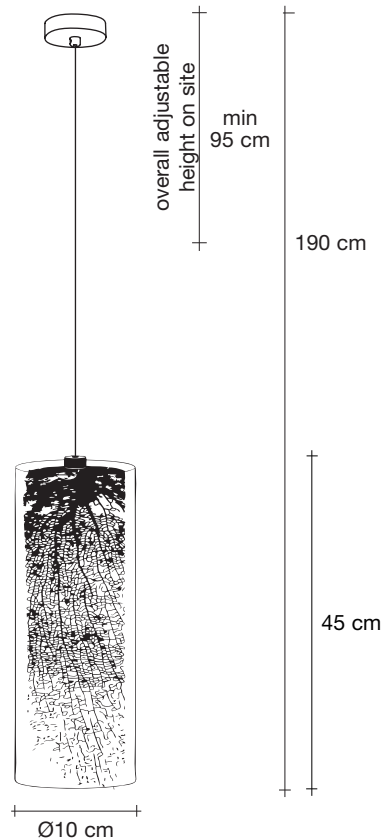
LED  
4W E14

dimnable options

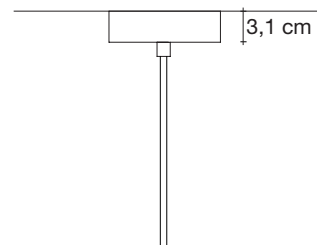
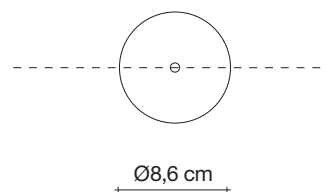
 all systems

Capturing a moment in time, Frame features a metal coral leaf, enclosed inside a borosilicate glass preserving a delicate imprint of nature. Hidden inside is a single bulb which glows from within. Creating a stirring light that projects a dynamic shadow due to the permeable coral. Frame is available in white, red, gold plated or silver plated. Design Terzani Lab. Made in Italy.

### Body



### Canopy



# Frame, nature's, *imprint.*

design Terzani Lab  
terzani.com

**TERZANI**  
LA LUCE PENSATA



**Name**  
Frame  
cone pendant light

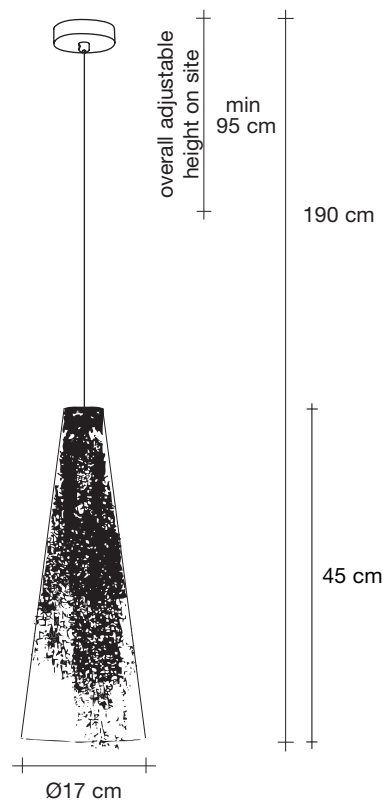
**Materials**  
clear



### Finishes | Code

-  white | clear  
0Q03S E8 A9
-  coral | clear  
0Q03S H1 A9
-  silver plated | clear  
0Q03S G7 A9
-  gold plated | clear  
0Q03S L6 A9

### Body




**Light source**  
230-240V ~ 50/60Hz

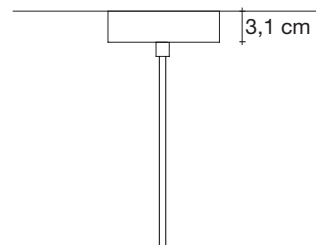
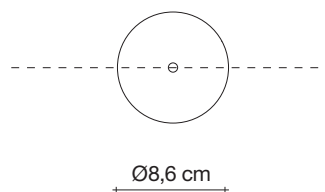


LED  
4W E14

dimnable options

 all systems

### Canopy



Capturing a moment in time, Frame features a metal coral leaf, enclosed inside a borosilicate glass preserving a delicate imprint of nature. Hidden inside is a single bulb which glows from within. Creating a stirring light that projects a dynamic shadow due to the permeable coral. Frame is available in white, red, gold plated or silver plated. Design Terzani Lab. Made in Italy.



# Frame, nature's, *imprint.*

design Terzani Lab  
terzani.com

**TERZANI**  
LA LUCE PENSATA



**Name**  
Frame  
wall sconce

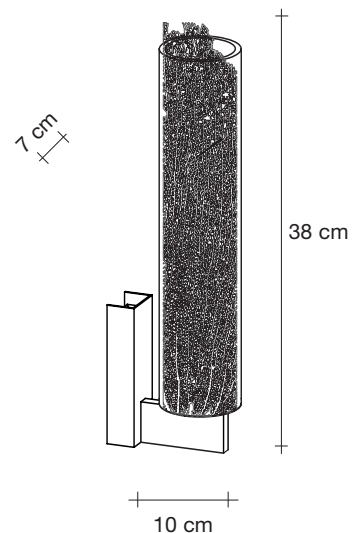
**Materials**  
clear



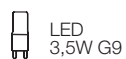
### Finishes | Code

-  white | clear  
0Q04A E8 A9
-  silver plated | clear  
0Q04A G7 A9
-  gold plated | clear  
0Q04A L6 A9


### Body



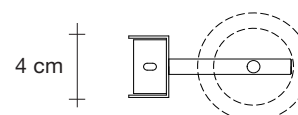
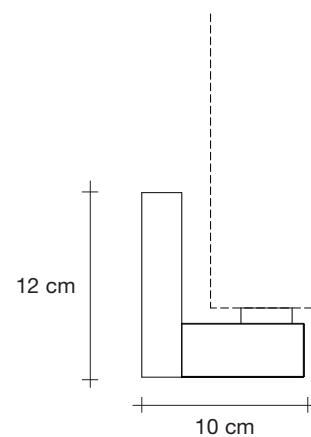
**Light source**  
230-240V ~ 50/60Hz



dimmable options

 all systems

### Canopy



Capturing a moment in time, Frame features a metal coral leaf, enclosed inside a borosilicate glass preserving a delicate imprint of nature. Hidden inside is a single bulb which glows from within. Creating a stirring light that projects a dynamic shadow due to the permeable coral. Frame is available in white, red, gold plated or silver plated. Design Terzani Lab. Made in Italy.