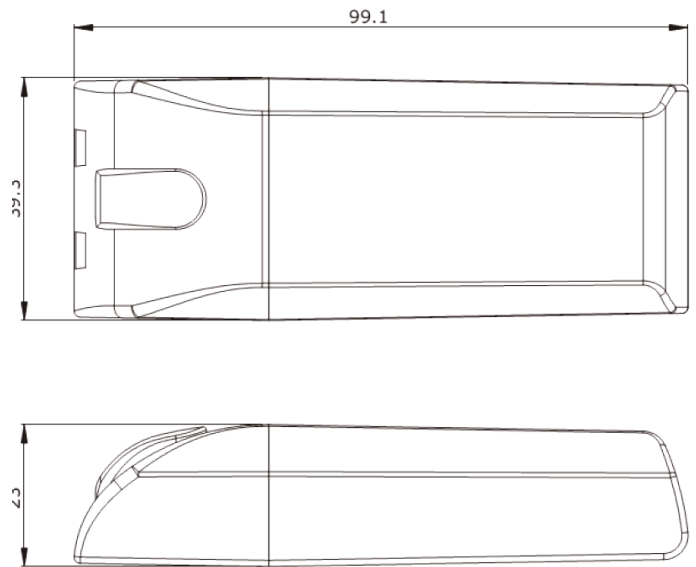


700mA Mains Dimmable DRIVER-M-700-L



Wiring

Wire + (SEC) to red luminaire cable

Wire 700mA (SEC) to black luminaire cable

Wire 1-2 (PRI) to mains live and neutral cable

Maximum 20m from driver to luminaire

Driver Details

Input Voltage	220 - 240V AC	Environment	
Control Type	Trailing Edge	Ambient Temperature	-15°C to +45°C
Output current	700mA	Lifetime	30,000hrs
Output Voltage	3 - 32V DC	IP Zone	IP20
Output Power	1 - 12W		
Maximum Power	12W		
Typical Efficiency	<82%		
Power Factor	>0.9		
Inrush Current	0.43A		

