

G.r.a, gyrating romantic, *rings of light*.

design Bruno Rainaldi
terzani.com

TERZANI
LA LUCE PENSATA



Name
G.r.a.
oval pendant light

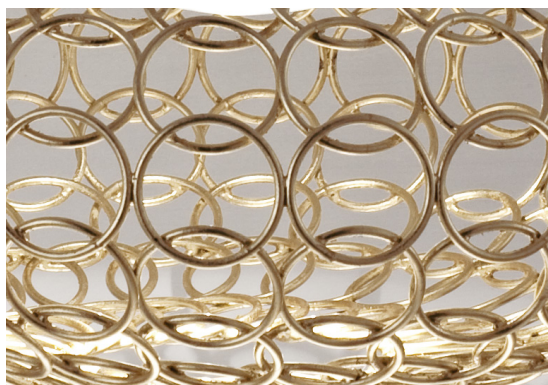
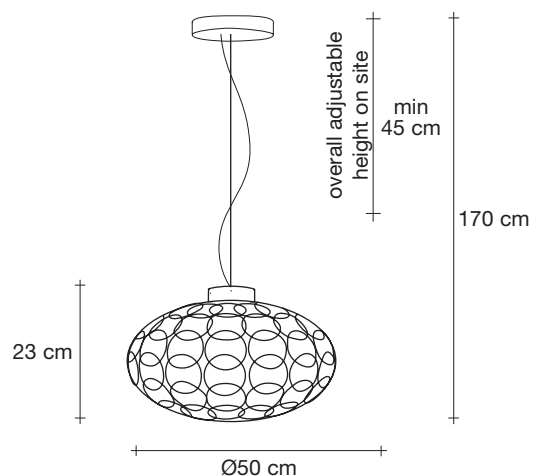
Materials
metal



Finishes | Code

-  nickel plated
ON41S E7 C8 L
-  gold leaf
ON41S H5 C8 L
-  gold plated
ON41S P3 C8 L

Body



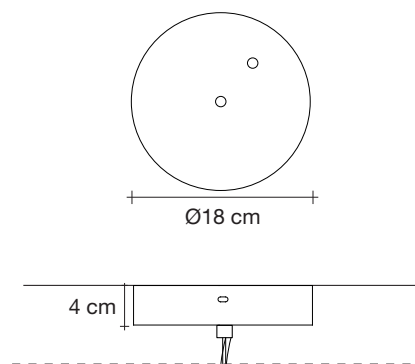
Light source
220-240V ~ 50/60Hz

-  Built in Replaceable LED Module
18W 1640 lm 3000K
or optional 1570 lm 2700K

dimnable options

-  1-10V
PUSH
DALI

Canopy



This clean, precise form is the result of hours of labor by our artisans, who meticulously weld each ring together. G.r.a is a delicate, refined pendant whose intricate shape belies its romantic glow. Available as an oval or a sphere, and finished in nickel, gold plated or gold leaf, G.r.a serves as an elegant, unobtrusive complement to any room. Available in nickel, gold plated and gold leaf finishes. Design Bruno Rainaldi. Made in Italy.

G.r.a, gyrating romantic, *rings of light*.

design Bruno Rainaldi
terzani.com

TERZANI
LA LUCE PENSATA




Name
G.r.a.
small pendant light


Materials
metal



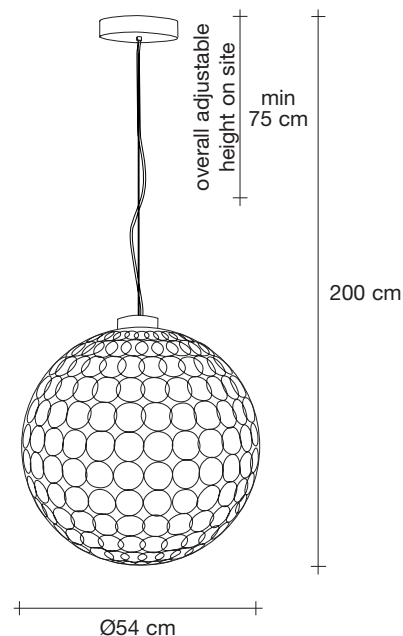
Finishes | Code

 nickel plated
0N43S E7 C8 L

 gold leaf
0N43S H5 C8 L

 gold plated
0N43S P3 C8 L

Body



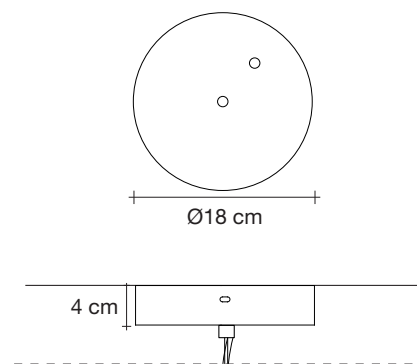
Light source
220-240V ~ 50/60Hz

 Built in Replaceable LED Module
18W 1640 lm 3000K
or optional 1570 lm 2700K

dimming options

 1-10V
PUSH
DALI

Canopy



This clean, precise form is the result of hours of labor by our artisans, who meticulously weld each ring together. G.r.a is a delicate, refined pendant whose intricate shape belies its romantic glow. Available as an oval or a sphere, and finished in nickel, gold plated or gold leaf, G.r.a serves as an elegant, unobtrusive complement to any room. Available in nickel, gold plated and gold leaf finishes. Design Bruno Rainaldi. Made in Italy.

G.r.a, gyrating romantic, *rings of light*.

design Bruno Rainaldi
terzani.com

TERZANI
LA LUCE PENSATA




Name
G.r.a.
medium pendant light


Materials
metal



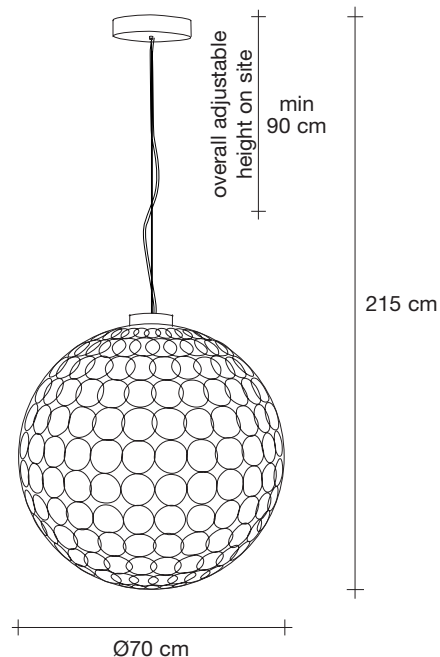
Finishes | Code

 nickel plated
0N42S E7 C8 L

 gold leaf
0N42S H5 C8 L

 gold plated
0N42S P3 C8 L

Body



Light source

220-240V ~ 50/60Hz



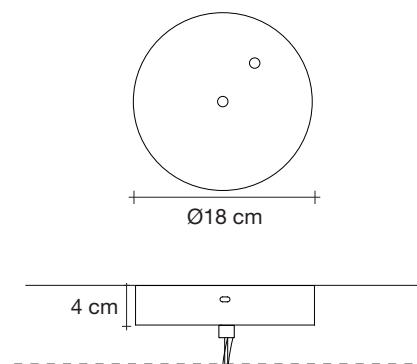
Built in Replaceable LED Module
18W 1640 lm 3000K
or optional 1570 lm 2700K

dimnable options



1-10V
PUSH
DALI

Canopy



This clean, precise form is the result of hours of labor by our artisans, who meticulously weld each ring together. G.r.a is a delicate, refined pendant whose intricate shape belies its romantic glow. Available as an oval or a sphere, and finished in nickel, gold plated or gold leaf, G.r.a serves as an elegant, unobtrusive complement to any room. Available in nickel, gold plated and gold leaf finishes. Design Bruno Rainaldi. Made in Italy.

G.r.a, gyrating romantic, *rings of light.*

design Bruno Rainaldi
terzani.com

TERZANI
LA LUCE PENSATA



Name
G.r.a.
large pendant light

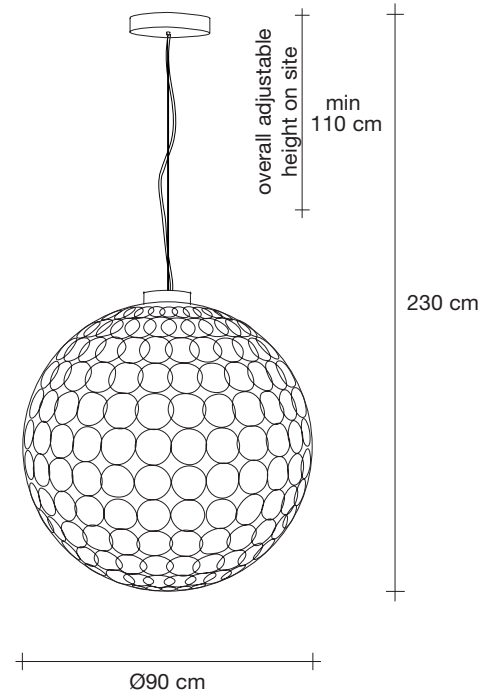
Materials
metal



Finishes | Code

-  nickel plated
ON40S E7 C8 L
-  gold leaf
ON40S H5 C8 L
-  gold plated
ON40S P3 C8 L

Body



Light source

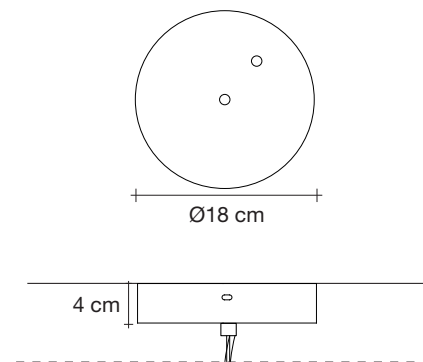
220-240V ~ 50/60Hz

-  Built in Replaceable LED Module
18W 1640 lm 3000K
or optional 1570 lm 2700K

dimming options

-  1-10V
PUSH
DALI

Canopy



This clean, precise form is the result of hours of labor by our artisans, who meticulously weld each ring together. G.r.a is a delicate, refined pendant whose intricate shape belies its romantic glow. Available as an oval or a sphere, and finished in nickel, gold plated or gold leaf, G.r.a serves as an elegant, unobtrusive complement to any room. Available in nickel, gold plated and gold leaf finishes. Design Bruno Rainaldi. Made in Italy.