

## STRATA 1600 PENDANT



### LIGHT SOURCE:

LINEAR 24V LED MODULE / 2700K  
45W / 3500 LUMENS

### DIMMING:

PHASE (MAINS) DIMMING USING  
SUPPLIED 24V DRIVER

### VOLTAGE:

24V D.C (DRIVER LOCATED IN  
CEILING CANOPY)

### CERTIFICATIONS:

CE / UKCA

### MATERIALS:

BRASS, GLASS

### WEIGHT:

12 KG (APPROX)

### OPTIONAL ACCESSORIES:

DALI DRIVER  
0-10V DRIVER

### SUSPENSION:

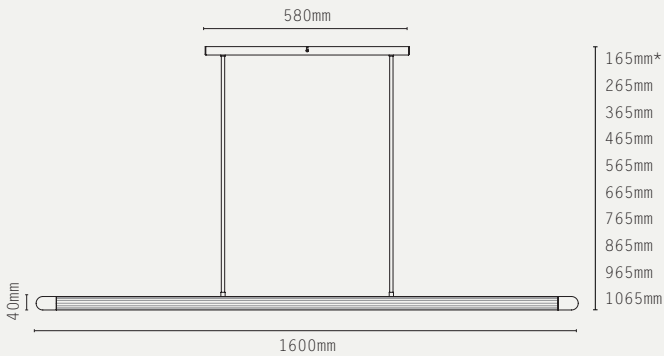
DROP ROD AT 100MM INCREMENTS

### ADDITIONAL INFO:

DESIGNED BY WILL EARL 2023

MADE IN ENGLAND

SIDE

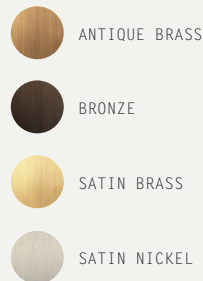


TOP

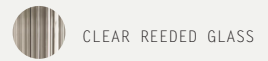


\*choose total drop - longer drop available at extra cost

### METAL FINISHES:



### GLASS OPTIONS:



### PRODUCT CODES:

STR.P16.AB.CRG - ANTIQUE BRASS / CLEAR REEDED GLASS

STR.P16.BZ.CRG - BRONZE / CLEAR REEDED GLASS

STR.P16.SB.CRG - SATIN BRASS / CLEAR REEDED GLASS

STR.P16.SN.CRG - SATIN NICKEL / CLEAR REEDED GLASS