

# LAMPE GRAS N°104

de Bernard-Albin Gras

## FICHE TECHNIQUE TECHNICAL SHEET



APPLIQUE

WALL LAMP

|  |                           |
|--|---------------------------|
| <b>Matériau</b><br>Material                      | <b>Acier</b><br>Steel     |
| <b>Poids net</b><br>Net weight                   | <b>1,3 kg</b>             |
| <b>Embase</b><br>Base                            | <b>Ø 95 mm</b>            |
| <b>Réflecteur conseillé</b><br>Recommended shade | <b>M</b>                  |
| <b>Emballage (master)</b><br>Packaging (master)  | <b>500 × 400 × 200 mm</b> |
| <b>IP</b><br>IP                                  | <b>20</b>                 |

|                                    |  |
|------------------------------------|--|
| <b>Tension</b><br>Voltage          | <b>220/240V</b>  |
| <b>Classe</b><br>Class             | <b>1</b>   |
| <b>Watt</b><br>Watt                | <b>15W</b>   |
| <b>Type d'ampoule</b><br>Bulb type | <b>E27 LED</b>   |
| <b>Lumens</b><br>Lumens output     | <b>544,20 lm (valeur indicative)</b><br>544,20 lm (indicative value) |
| <b>Driver</b><br>Driver            | <b>NA</b>  |
| <b>Câble</b><br>Wire               | <b>Tissu</b><br>Fabric   |
| <b>Interrupteur</b><br>Switch      | <b>NA</b>  |
| <b>Fiches</b><br>Plug              | <b>NA</b>  |

### CORPS BODY



Black

BL

### COULEURS DES RÉFLECTEURS SHADES COLORS



Black

BL



Red

RED



Yellow

YELLOW



Blue

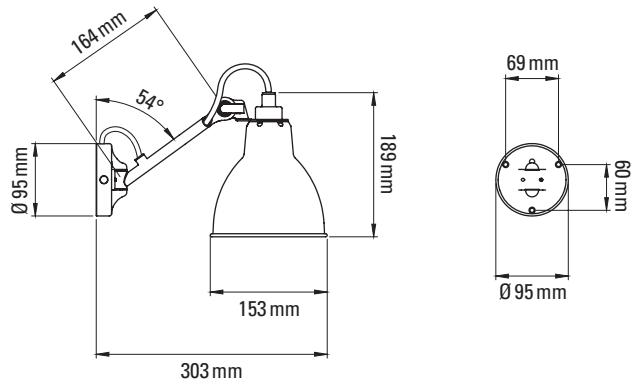
BLUE



Polycarbonate  
(Round shade only)  
PC

### RÉFLECTEUR SHADE





# LAMPE GRAS N°104 SW

de Bernard-Albin Gras

## FICHE TECHNIQUE TECHNICAL SHEET



APPLIQUE

WALL LAMP

|  |                           |
|--|---------------------------|
| <b>Matériau</b><br>Material                      | <b>Acier</b><br>Steel     |
| <b>Poids net</b><br>Net weight                   | <b>1,3 kg</b>             |
| <b>Embase</b><br>Base                            | <b>Ø 95 mm</b>            |
| <b>Réflecteur conseillé</b><br>Recommended shade | <b>M</b>                  |
| <b>Emballage (master)</b><br>Packaging (master)  | <b>500 × 400 × 200 mm</b> |
| <b>IP</b><br>IP                                  | <b>20</b>                 |

|                                    |  |
|------------------------------------|--|
| <b>Tension</b><br>Voltage          | <b>220/240V</b>  |
| <b>Classe</b><br>Class             | <b>1</b>   |
| <b>Watt</b><br>Watt                | <b>15W</b>   |
| <b>Type d'ampoule</b><br>Bulb type | <b>E27 LED</b>   |
| <b>Lumens</b><br>Lumens output     | <b>544,20 lm (valeur indicative)</b><br>544,20 lm (indicative value) |
| <b>Driver</b><br>Driver            | <b>NA</b>  |
| <b>Câble</b><br>Wire               | <b>Tissu</b><br>Fabric   |
| <b>Interrupteur</b><br>Switch      | <b>Oui, sur la lampe</b><br>Yes, on the lamp                         |
| <b>Fiches</b><br>Plug              | <b>NA</b>  |

### CORPS BODY



Black

BL

### COULEURS DES RÉFLECTEURS SHADES COLORS



Black

BL



Red

RED



Yellow

YELLOW



Blue

BLUE



Polycarbonate  
(Round shade only)

PC

### RÉFLECTEUR SHADE

