

MICHAELANASTASSIADES

INSTALLATION INSTRUCTIONS



BALL LIGHT  
WALL BRACKET, 2008

## PRODUCT SPECIFICATIONS

### SMALL BALL LIGHT

Bulb specifications 120V / 240V  
G9 maximum wattage 5W  
ø45mm white globe

Product weight: ~2kg

### LARGE BALL LIGHT

Bulb specifications 120V / 240V  
G9 maximum wattage 20W  
ø95mm white globe

Product weight: ~3kg

120V / 240V dimmable LED triac

120V version supplied with paintable junction box cover.

## BEFORE INSTALLING

Please keep these instructions for future reference.

Please read instructions in full prior to installation noting all illustrations. Instructions should be followed precisely.

Always wear the gloves provided when handling the fixture.

If you are in any doubt, consult a qualified electrician to install the fitting.

Install in accordance with current national or local wiring regulations.

Ensure the circuit, to which the fitting is to be connected, has been installed and fused in accordance with local electrical standards.

Disconnect the electrical supply at the fuse box. Switching off via a wall switch is not adequate.

Ensure that only the correct types of bulbs are fitted. Before changing light bulbs, always switch off the mains power and allow the lamp to cool.

The fitting is for use in a normal dry domestic indoor environment. Suitable for mounting on non-combustible surfaces only.

If removing an existing fitting, carefully note all wiring connections and record which of the wires is connected to which terminal.

Carefully identify the supply cable. Check there are no other cables in the area to avoid damage to concealed wiring during installation.

Please make sure the wires are matching to the correct connectors according to live, neutral or earth (ground).

Position the light where desired, ensuring that the area is suitable to support the weight of the light.

Determine the fixing method appropriate to the surface material.

Modifying any part of the light will void the products warranty.

Michael Anastassiades accepts no liability for incorrect use of the mentioned object.

## CLEANING INSTRUCTIONS

Before cleaning, lighting fixtures must be turned off and unplugged from mains electricity. Whilst cleaning please take care and use the gloves provided.

Polished brass: As the item is unlacquered it will naturally oxidise and darken. Upon touching the items without gloves, fingerprints are likely to occur and leave marks. Use a good quality brass cleaning liquid and follow the product instructions using the extra soft dust cloth. Do not apply pressure on persistent marks. Remove them using repeated gentle motions and by reapplying the brass cleaning liquid.

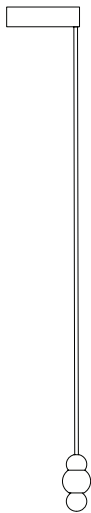
Polished nickel: Use a lightly damp soft dust cloth and gently go over marks until clean. Dry it afterwards with a soft dust cloth. Make sure the product is completely dry before switching the electricity on.

Black patinated: Use a dry soft dust cloth and gently go over marks until clean.

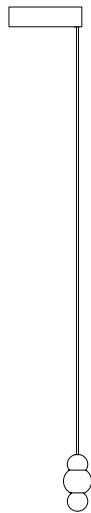
Glass diffuser: Remove the glass diffuser sphere from the product. Using a lightly damp cloth, clean only the outside of the sphere. Only put the glass sphere back on the product once it is fully dry.

Collection

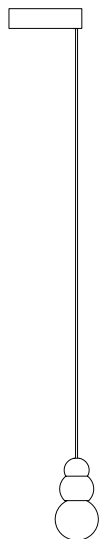
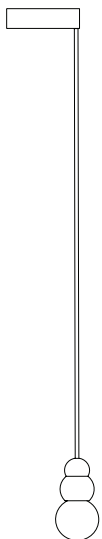
ROD



FLEX

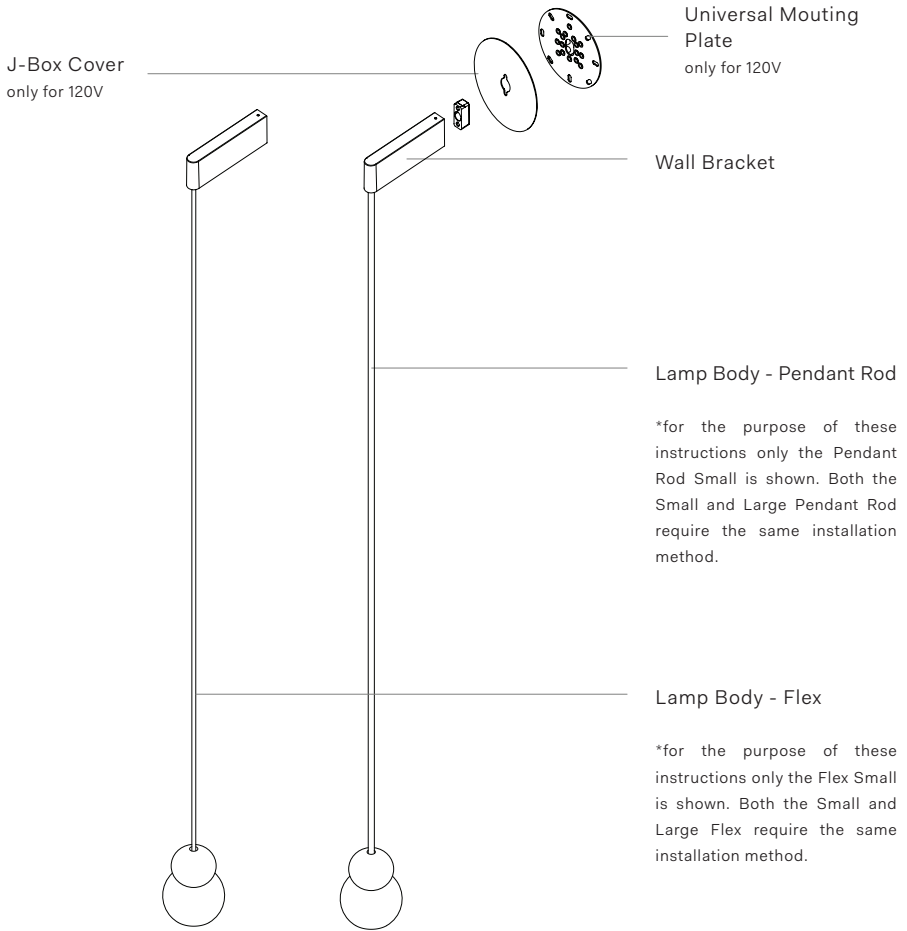


SMALL



LARGE

## Parts Supplied



## Additional Items Provided

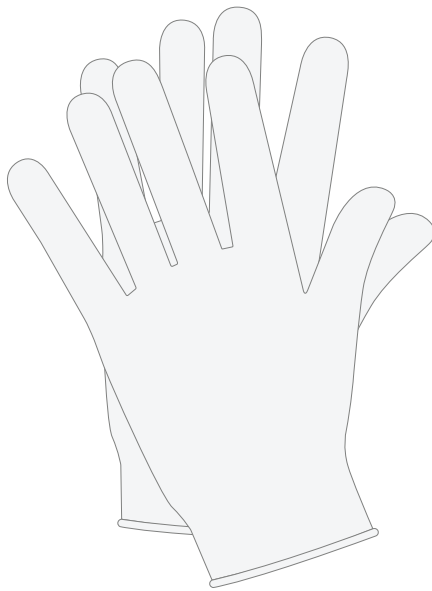
Pair of Gloves  
Spare Kit Bag

## Additional Requirements

Power Drill and Bits  
Mounting Screws and Wall Anchors

Fig. 1

Whilst installing the fixture please take care and use the gloves provided.



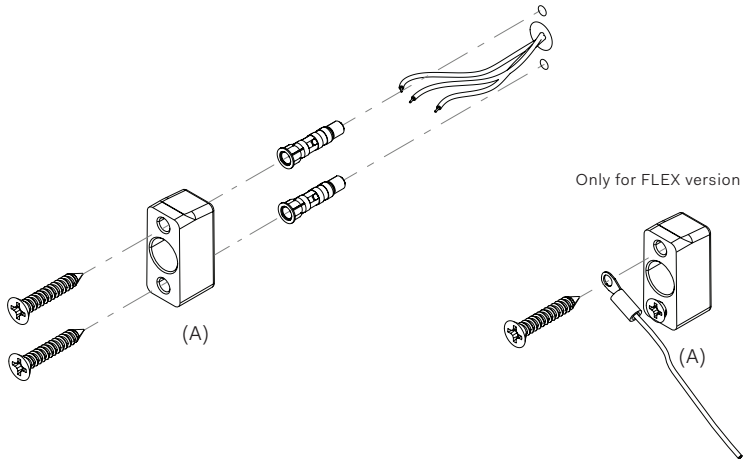
## Fig. 2 For 240V Fittings

Place the back plate (A) onto the wall, centre it to the mains electrical supply cable and mark two holes to be drilled. Once drilled, insert wall anchors into the holes, ensuring that the area is able to support the entire weight of the fixture (noted on product specification). Screw the bracket onto the wall, making sure it is levelled.

Only for FLEX versions - Add Earth tag between the back plate and a mounting screw.

Wall anchors and mounting screws are not supplied for this fixture. Determine the fixing method appropriate to the surface material before starting the project. Use fixings that are suited to the surface material and are sufficient to bear the weight of the light.

Go to Fig. 5 for next step.



Direction of the backplate

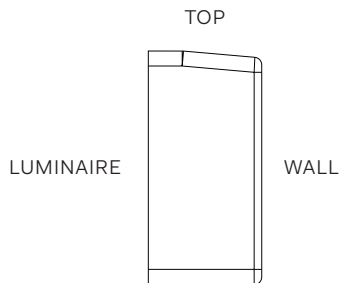
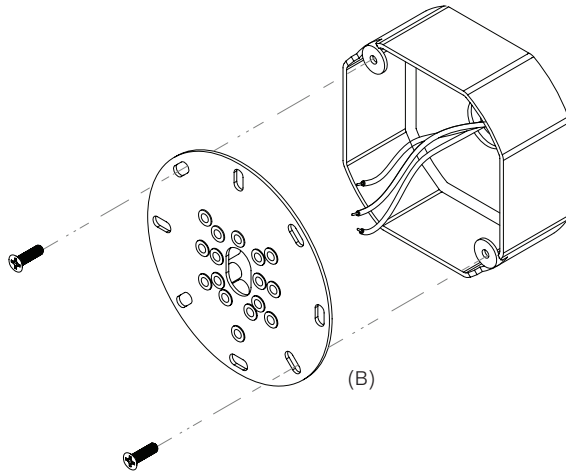




Fig. 3 For 120V Fittings

Screw the Universal Mounting Plate (B) onto the junction box, making sure it is levelled. Pull live, neutral and ground cables out through the central hole. Mounting screws are not supplied with this fixture as J-boxes can vary.



Note: Make sure the supplied Universal Mounting Plate is fastened directly to the junction box. The surface of the junction box should be set back 1/8" or 3mm from the mounting surface. This will ensure the best possible fit for ease of installation and final finish. Note below the correct and incorrect fit for optimum installation.

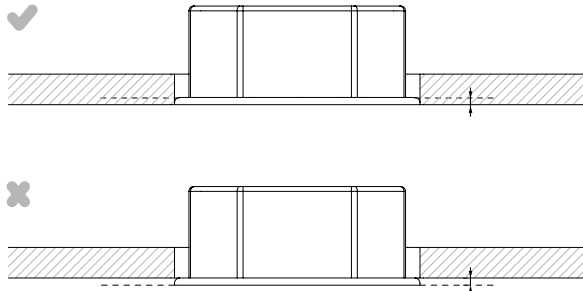
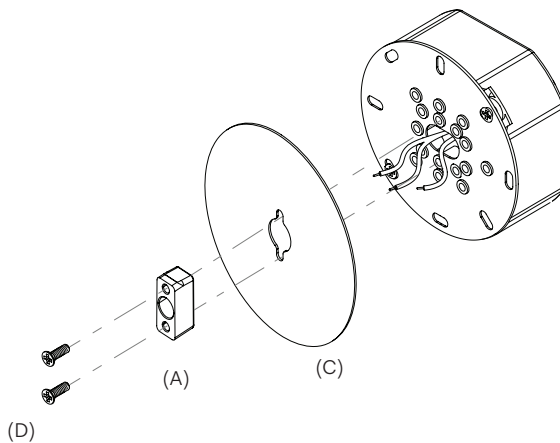


Fig. 4 For 120V Fittings

Feed the electrical cables through the central hole of the Junction box cover (C) and the backplate (A). Use screws supplied (D) to secure the J-Box cover and back plate to the J-Box.



Paint over the J-box cover to match the wall finish.

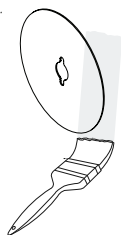
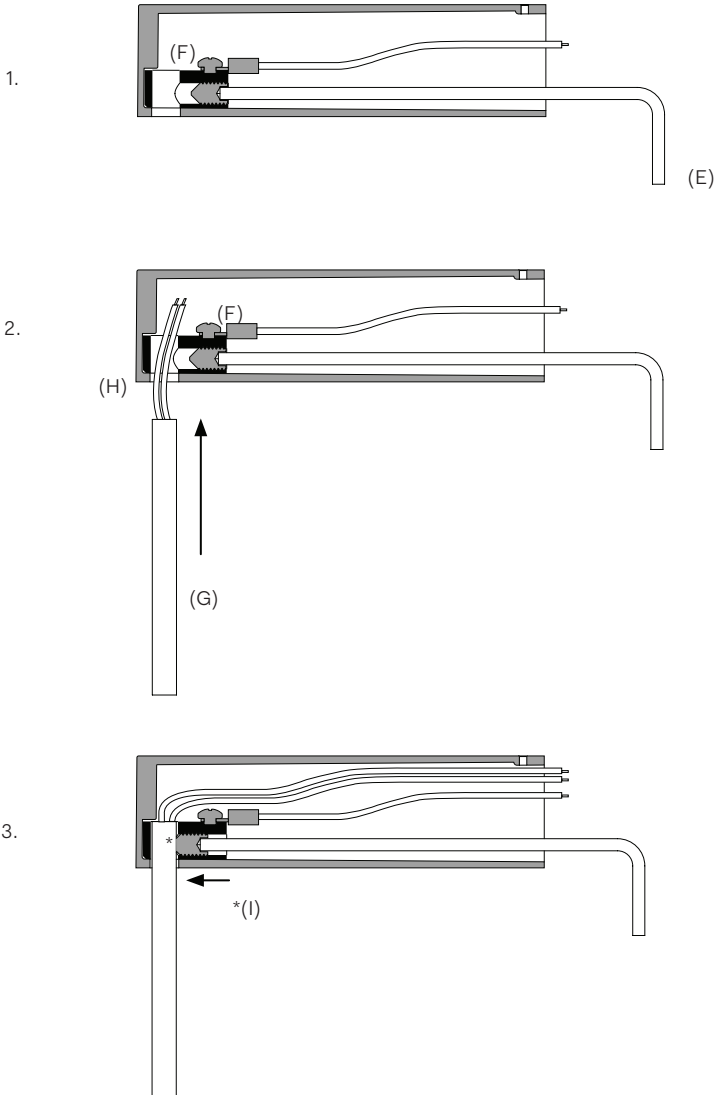


Fig. 5 For Pendant Rod Versions

1. Using the allen key (E) provided, push the rod lock (F) to the far end of the bracket, until it aligns with the opening in the bracket and there is enough clearance to allow the pendant rod (G) to be inserted through the rod lock (F).
2. Feed the cables through the rod lock (F) and into the bracket (H), until the top of the pendant rod (G) is secured into the rod lock (F).
3. Tighten the grub screw (I) using the allen key (E) to secure the pendant rod (G) in place



## Fig. 7 For Pendant Rod Versions

Connect the live, neutral and earth of the mains electrical cable to the terminal block of the fixture. Make sure all electrical cables match correctly.

See Cable Connection Guide for further reference.

Push the terminal block (K) into the lamp body. Separate individual terminal blocks for ease of fitting into the wall if needed.

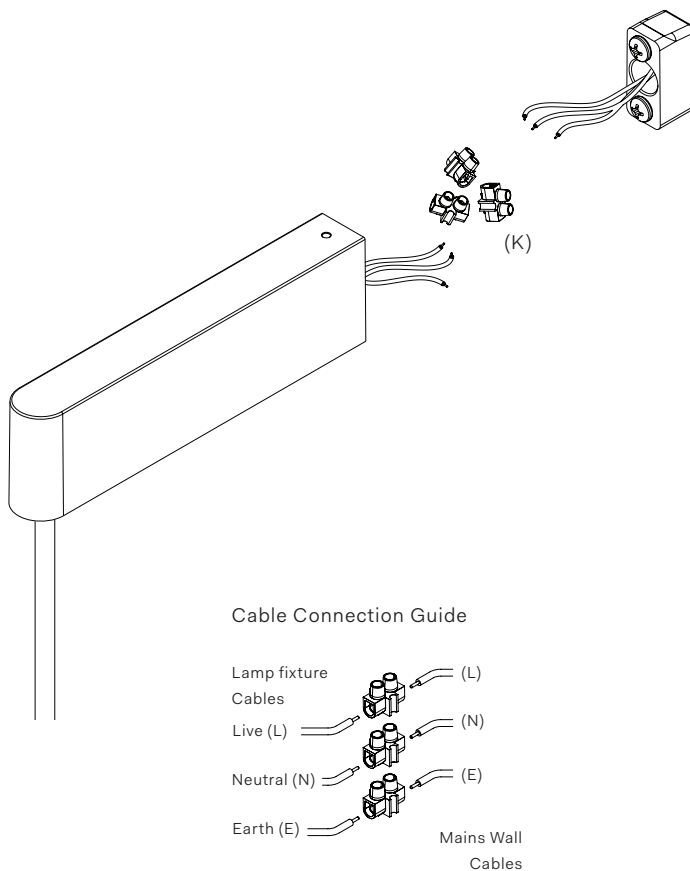
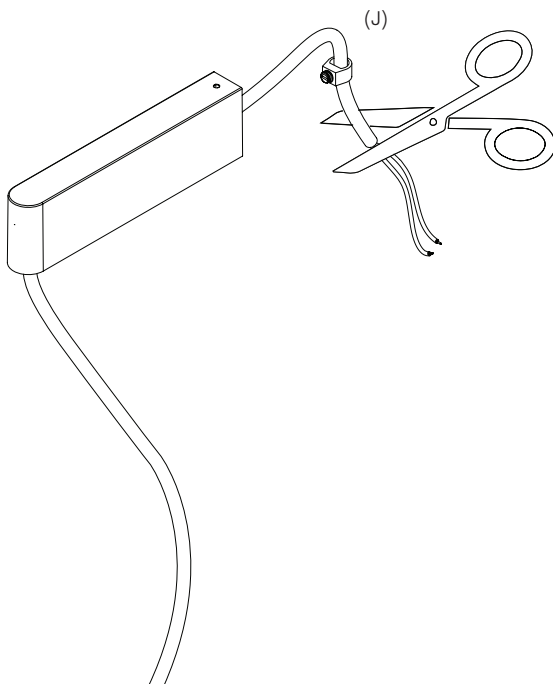


Fig. 6 For Flex Versions

For the Ball Light Flex version cut the wire at the length desired and secure the cord grip (J).



Direction of the cord grip

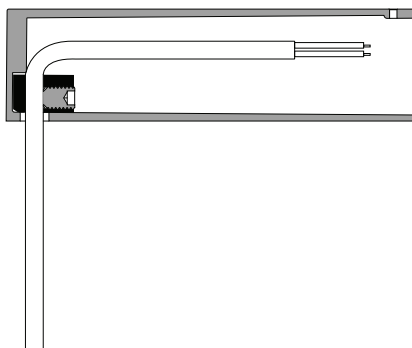


Fig. 7 For Flex Versions

Connect the live, neutral and earth of the mains electrical cable to the terminal block of the fixture. Make sure all electrical cables match correctly.

See Cable Connection Guide for further reference.

Push the terminal block (K) into the lamp body. Separate individual terminal blocks for ease of fitting into the wall if needed.

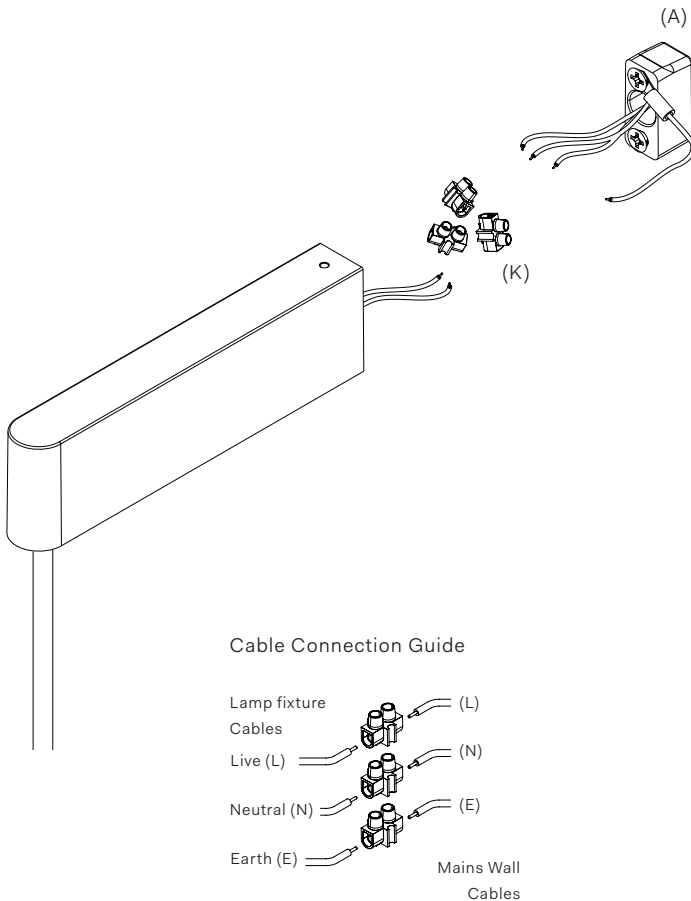


Fig. 8

Push the bracket (H) on to the mounting plate (A) until its locked, making sure no cables are sticking out. To secure the bracket, tighten the grub screw (L) using the allen key provided

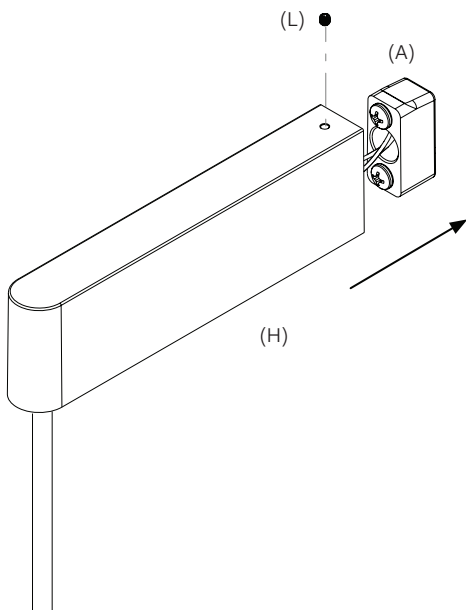
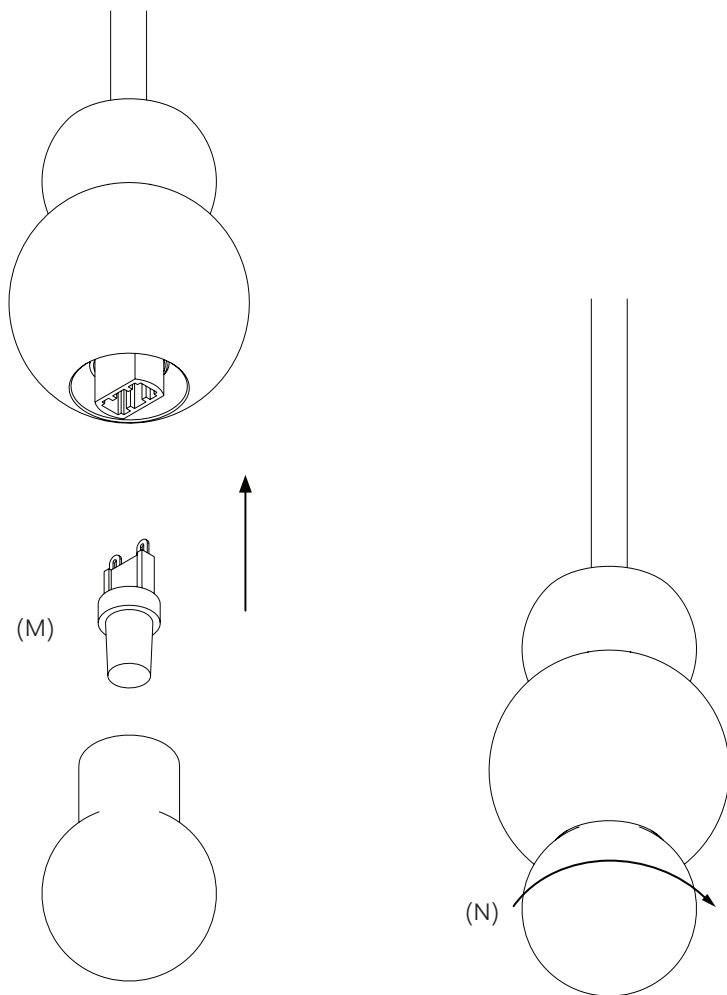


Fig. 9

Insert the G9 bulb (M) into the lamp holder and screw the the glass diffuser (N).





Michael Anastassiades' design philosophy is to preserve the inherent qualities of given materials. All of our products are handmade and come in natural finishes, exposed to the elements without any protective lacquers. We look at oxidisation as part of a process that adds to the patina of an object, increasing beauty with time. We try our best for all goods to leave our premises in pristine condition, but sometimes products may arrive with minor oxidisation marks.

Whilst every effort is made to ensure an accurate representation of product colours, finishes and dimensions, Michael Anastassiades Ltd reserves the right to alter these details without notice, in compliance with its own production needs, technological changes or in response to the current market needs. Colour swatches are for reference only; Michael Anastassiades Ltd cannot guarantee exact colour match for any product finishes.

All designs are protected under copyright law. Michael Anastassiades holds the exclusive manufacturing and distribution rights worldwide. Copying will be prosecuted.

All light fixtures in this catalogue have CE marking compliance.

Michael Anastassiades Ltd.  
50 Rochester Place, London NW1 9JX  
T +44 (0)20 7928 7527  
sales@michaelanastassiades.com  
www.michaelanastassiades.com  
© 2021 Michael Anastassiades Ltd. All rights reserved.