



erluna

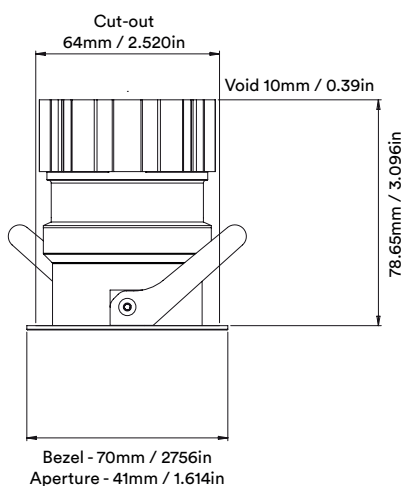
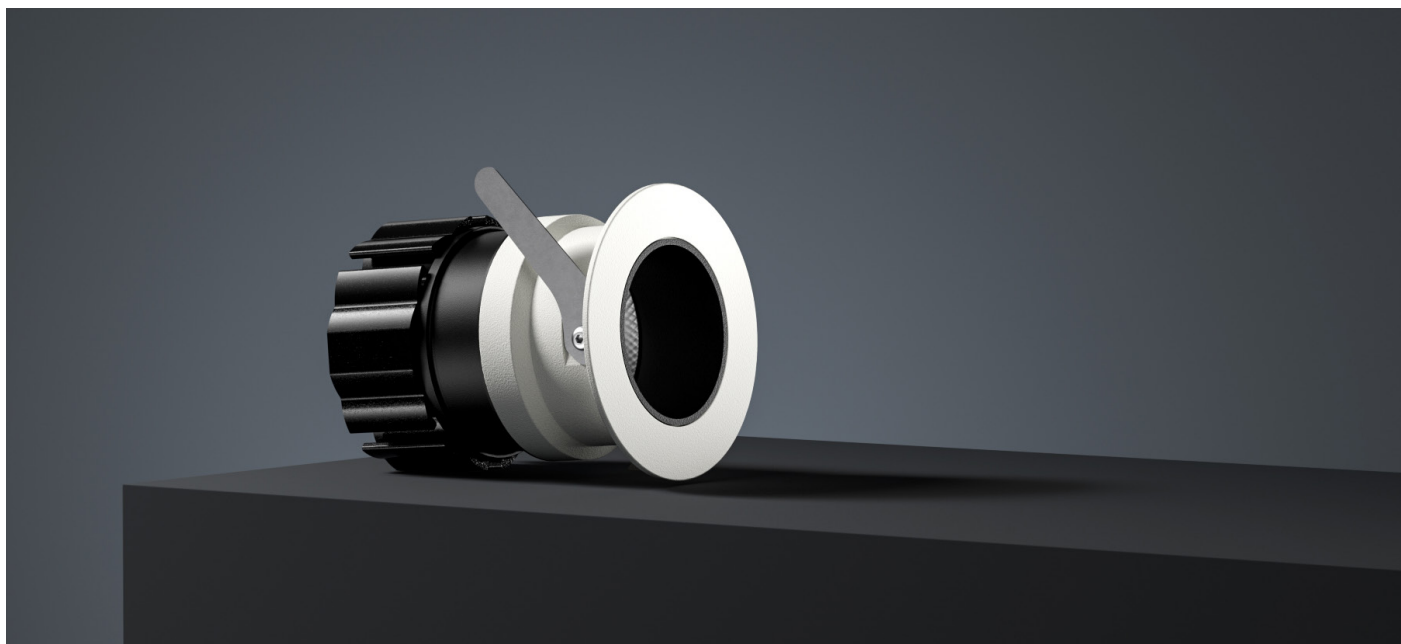
**mina fixed
origin**

circular product

  IP65
IP54  

mina fixed origin

circular product



Unit height increases by
21.65mm / 0.85in
for spot and elliptical beams

mina fixed origin

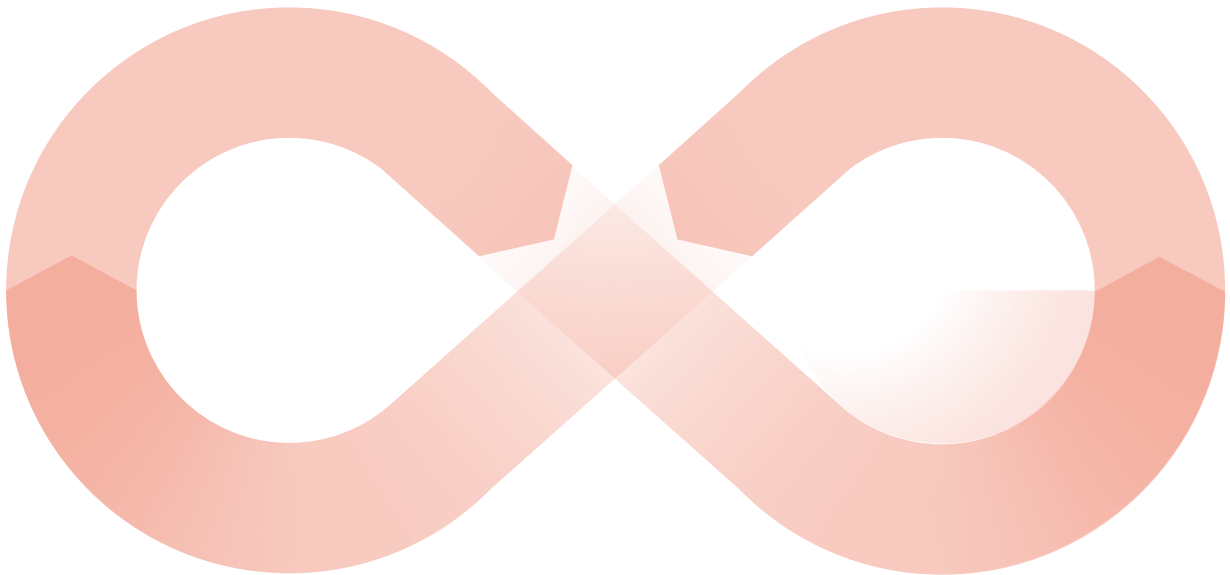
circular product

When an old Orluna light comes to the end of its life, or is faulty, instead of throwing it away, we kindly ask you to return it to us.

1

The fully repaired and tested product enters back into our stock –with a brand new warranty.

3

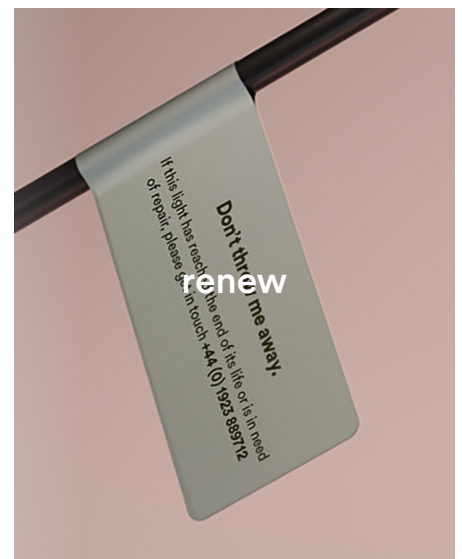


The 'new' light fitting is despatched to a new customer.

4

Once we've received the unwanted or faulty fitting, it's dismantled, repaired and renewed with a new LED and PCB.

2



mina fixed origin

circular product

		2700K									
		SPOT			SOFT				SPECIALITY		
LIGHT VALUES	Beam Width FWHM	Ultra	Spot	Narrow	Medium	Wide	Flood	Wash	Crisp	Elliptical	Elliptical
	Initial Lumens	8°	10°	15°	30°	38°	40°	48°	36°	10x45°	20x40°
	Engine Lumens	526	893	1164	1164	1164	1164	1164	1164	1164	1164
	Luminaire Lumens	183	295	380	975	968	935	942	970	323	320
	Engine Lm/W	121	221	288	450	486	442	482	538	114	162
	Engine Lm/W	23	24	33	86	85	82	83	85	26	26
	Luminaire Cd	4228	5788	3980	1441	1112	933	728	1559	548	1007
POWER	Voltage	36V			34V				36V		
	Drive Current	180mA			300mA				300mA		
	Circuit Power (typ)	7.8W			11.4W				12.2W		

		3000K									
		SPOT			SOFT				SPECIALITY		
LIGHT VALUES	Beam Width FWHM	Ultra	Spot	Narrow	Medium	Wide	Flood	Wash	Crisp	Elliptical	Elliptical
	Initial Lumens	8°	10°	14°	31°	38°	40°	48°	36°	10x45°	20x40°
	Engine Lumens	561	935	1252	1252	1252	1252	1252	1252	935	935
	Luminaire Lumens	204	302	407	1013	1026	999	1013	1025	354	350
	Engine Lm/W	152	223	289	484	514	475	513	570	132	188
	Engine Lm/W	26	25	36	89	90	88	89	90	29	29
	Luminaire Cd	5176	5450	3962	1504	1158	977	769	1681	558	1062
POWER	Voltage	36V			34V				36V		
	Drive Current	180mA			300mA				300mA		
	Circuit Power (typ)	7.8W			11.4W				12.2W		

Binning SDCM (Hot)	2										
CRI (typ)(R9)	98 (99)										
TM30 Rf Rg	Rf 93.8 Rg 101.9										
Lifetime (TM21)	L90 B5 50,000hrs (inc driver)										
Lifetime (Calculated)	L70 426,000hrs										
DRIVER	Protocols	Mains Dim / DALI / 0-10V / Non-dim									
	Dim to Dark	0.1% Lux									
	Distance from LED	20m / 65' (series wiring)									
	Emergency	Emergency packs available									

SPECIFICATION CODE

Engine type	Bezel	Colour Temp	Driver	Beam Width	Bezel Colour	Baffle Colour	Options
OR	- MIF -	27	M	S	- W -	BB -	F 54 E
27 / 2700K 30 / 3000K 40 / 4000K			M / Mains Dim D / DALI 0 / 0-10v N / Non Dim X / No Driver	U / Ultra S / Spot N / Narrow M / Medium W / Wide F / Flood H / Wash C / Crisp L / Elliptical Linear O / Elliptical Oval	W / White RAL 9010 D / White RAL 9003 B / Black RAL 9005 C / Other RAL G / Polished Brass K / Brushed Chrome L / Polished Chrome Z / Other Metallic	WB / White RAL 9010 DB / White RAL 9003 BB / Black RAL 9005 CB / Other RAL GB / Polished Brass KB / Brushed Chrome LB / Polished Chrome ZB / Other Metallic	F / 60 min Fire Rated Plate 54 / IP54 65 / IP65 P / Sea & Spa IP65 C / Constant Torsion E / 3hr Emergency H / Honeycomb N / Frosted Lens Z / LSZH Cable K / Click Connector

*NOTE: Fire Hood if used with constant torsion springs