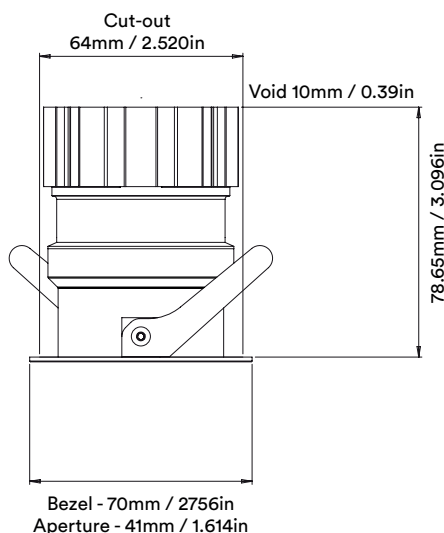
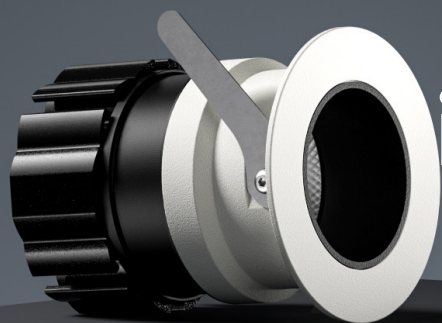


mina fixed origin installation



Unit height increases by
21.65mm / 0.85in
for spot and elliptical beams

How to Install

- Cut hole in ceiling as per above cut-out;
- Wire luminaire cable to OrLuna certified driver, ensuring correct polarity (red to positive terminal [+] and black to negative terminal [-]);
- With mains supply switched off, connect driver to mains supply (to avoid damaging the luminaire, do not hot-wire);
- Feed luminaire into cut-out by rotating clockwise pulling the light fitting fully up into the ceiling, ensuring Ø250mm around luminaire and driver is left clear of insulation.

Luminaire Details

| | | | |
|-----------------------|--------------|--------------|----------------------------|
| Cut-out | Ø64mm | Class | III |
| Recess Depth | 78.65mm | IP Rating | IP54/IP65 |
| Clearance | Ø250mm | IP Zone | Zone 1 |
| Fixing Method | Tick Springs | Material | Aluminium ADC12 |
| Min Ceiling Thickness | 5mm | Cable type | 2 Core 0.75mm ² |
| Max Ceiling Thickness | 28mm | Cable Length | 300mm |
| Max Driver Distance | 20m | Bezel Temp | F Rated |