

BUSTER+PUNCH

LONDON

[product.]

DOOR HANDLE / LINEAR

[motion. **LEVER.**]

[action. **SPRUNG.**]

[knurl. **LINEAR.**]

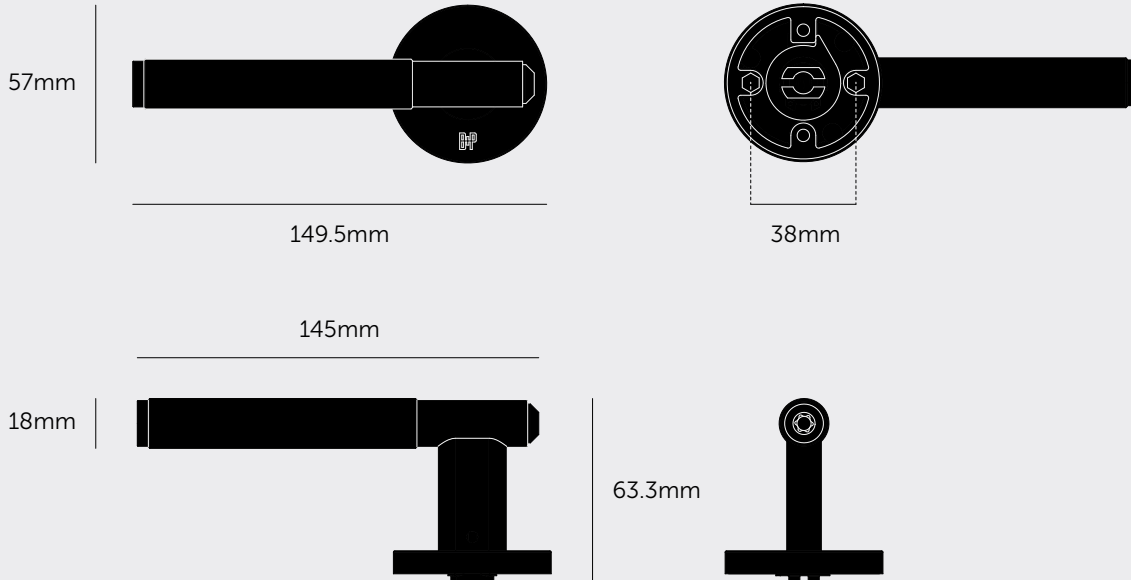
[range. **DOOR HARDWARE.**]

A pair of sprung DOOR HANDLES made from solid metal and featuring our elegant linear knurled detailing and torx screw. Works great on all internal doors and can be combined with our matching door accessories. Available in four metal finishes: STEEL, BRASS, GUN METAL and WELDERS BLACK.



[type. **SPRUNG.**]

[info. **MEASUREMENTS.**]



[info. **SPECIFICATIONS.**]

A pair of solid metal door handles, with an 8 mm thick sprung rose. A sprung door lever handle contains a spring in the rose which helps the handle spring back to it's original position. Designed for use with UK (centre distance 38 mm) specific latches. Compatible with either tubular latches or mortise locks. Our linear door handle sets use a 5mm spindle with 8mm spindle sleeves. Our door handle sets have not been tested using split spindles. Suitable for interior doors only.

Fits doors of thickness: minimum 35 mm to maximum 55 mm (with supplied fixings*).

*For thicker doors, longer through bolts and a longer spindle will need to be sourced.

[info. **FINISH & SKU NUMBERS.**]

[finish.]

● Steel

● Brass

● Gun Metal

● Welders Black

[sku.]

RLH-071034

RLH-051033

RLH-091035

RLH-481032

[info. **CARE INSTRUCTIONS.**]

Wipe with damp cloth with no loose hairs, avoid using any chemicals. Please note all finishes are prone to aging.

[info. **INCLUDED.**]

1 x pair of Sprung Door Handles

2 x M4 x 35 mm Through Bolts

1 x 5 mm x 5 mm x 112 mm Square Spindle

2 x 5mm to 8mm Spindle Adapters (pre-installed)

8 x 4 mm Woodscrews

[info. **RECOMMENDED.**]

Purchase a tubular latch from the Buster + Punch website:

Heavily Sprung Tubular Latch, GLL-071161 (Steel)

57mm Backset GLL-051160 (Brass)

GLL-021163 (Black)

[please. **NOTE.**]

DISCLAIMER: Always consult a trade professional when installing these door handles. Buster + Punch is not responsible for the usage or feasibility of installation requirements. This product is not suitable for damp or wet environments.