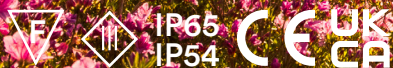


erluna

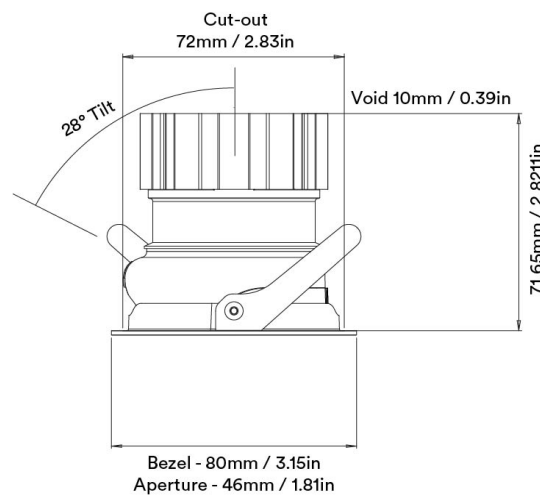
one adjustable  
origin

circular product



one adjustable  
origin

circular product



Unit height increases by  
21.65mm / 0.85in  
for spot and elliptical beams



# one adjustable origin

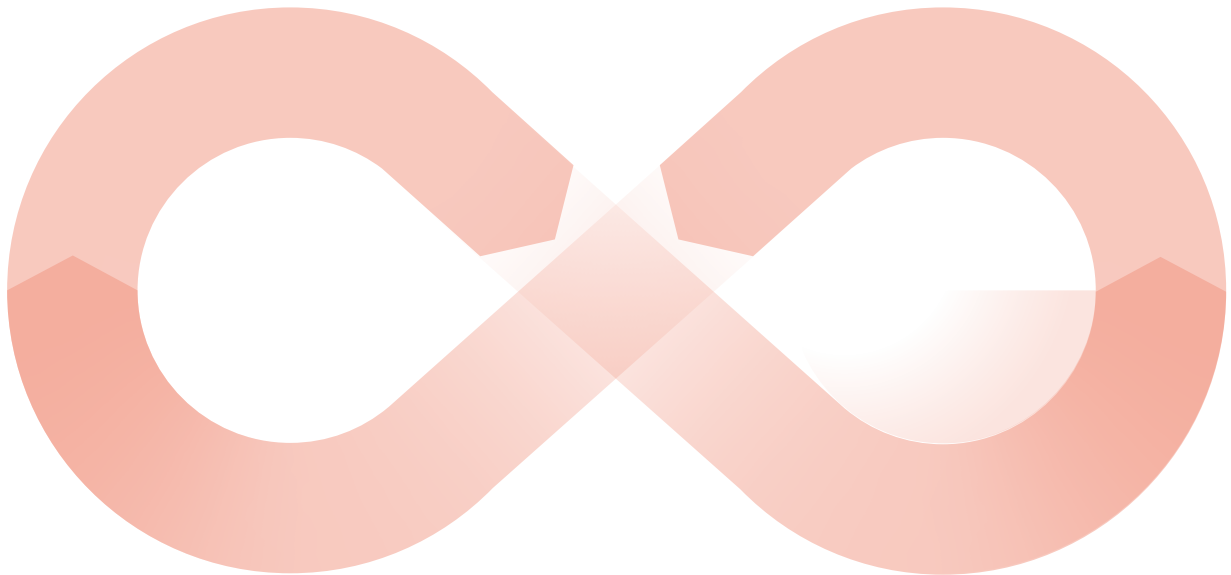
# circular product

When an old Orluna light comes to the end of its life, or is faulty, instead of throwing it away, we kindly ask you to return it to us.

**1**

**3**

The fully repaired and tested product enters back into our stock –with a brand new warranty.

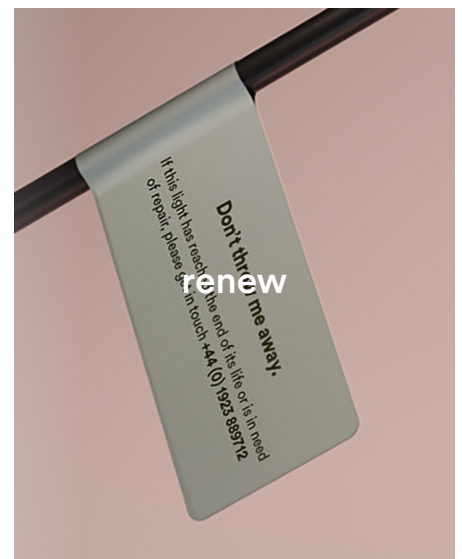


The 'new' light fitting is despatched to a new customer.

**4**

**2**

Once we've received the unwanted or faulty fitting, it's dismantled, repaired and renewed with a new LED and PCB.



# one adjustable origin

# circular product

		2700K									
		SPOT			SOFT				SPECIALITY		
LIGHT VALUES	Beam Width FWHM	Ultra 8°	Spot 10°	Narrow 14°	Medium 26°	Wide 41°	Flood 49°	Wash 56°	Crisp 36°	Elliptical 10x45°	Elliptical 20x40°
	Initial Lumens	526	893	1164	1164	1164	1164	1164	1164	893	893
	Engine Lumens	183	295	380	975	968	935	942	970	323	320
	Luminaire Lumens	146	256	367	652	647	610	650	701	178	231
	Engine Lm/W	23	24	33	86	85	82	83	85	26	26
	Luminaire Cd	5323	7017	5471	2151	1237	925	764	1751	714	1355
POWER	Voltage	36V	36V	34V				36V			
	Drive Current	180mA	300mA	300mA				300mA			
	Circuit Power (typ)	7.8W	12.2W	11.4W				12.2W			

		3000K									
		SPOT			SOFT				SPECIALITY		
LIGHT VALUES	Beam Width FWHM	Ultra 8°	Spot 10°	Narrow 14°	Medium 27°	Wide 42°	Flood 49°	Wash 57°	Crisp 37°	Elliptical 10x45°	Elliptical 20x40°
	Initial Lumens	561	935	1252	1252	1252	1252	1252	1252	935	935
	Engine Lumens	204	302	407	1013	1026	999	1013	1025	354	350
	Luminaire Lumens	196	302	386	684	679	647	691	735	168	228
	Engine Lm/W	26	25	36	89	90	88	89	90	29	29
	Luminaire Cd	6922	7644	5595	2229	1258	930	789	1795	726	1415
POWER	Voltage	36V	36V	34V				36V			
	Drive Current	180mA	300mA	300mA				300mA			
	Circuit Power (typ)	7.8W	12.2W	11.4W				12.2W			

Binning SDCM (Hot)	2									
CRI (typ)(R9)	98 (99)									
TM30 Rf Rg	Rf 93.8 Rg 101.9									
Lifetime (TM21)	L90 B5 50,000hrs (inc driver)									
Lifetime (Calculated)	L70 426,000hrs									
DRIVER	Protocols	Mains Dim / DALI / 0-10V / Non-dim								
	Dim to Dark	0.1% Lux								
	Distance from LED	20m / 65' (series wiring)								
	Emergency	Emergency packs available								

## SPECIFICATION CODE

Engine type	Bezel	Colour Temp	Driver	Beam Width	Bezel Colour	Baffle Colour	Options
<b>OR</b>	<b>- ONE -</b>	<b>27</b>	<b>M</b>	<b>S</b>	<b>- W -</b>	<b>BB -</b>	<b>F 54 E</b>
27 / 2700K 30 / 3000K 40 / 4000K		27 / 2700K 30 / 3000K 40 / 4000K	M / Mains Dim D / DALI 0 / 0-10v N / Non Dim X / No Driver	U / Ultra S / Spot N / Narrow M / Medium W / Wide F / Flood H / Wash C / Crisp L / Elliptical Linear O / Elliptical Oval	W / White RAL 9010 D / White RAL 9003 B / Black RAL 9005 C / Other RAL V / Dark Bronze* T / Medium Bronze* R / Light Bronze* Y / Burnished Brass* G / Polished Brass K / Brushed Chrome L / Polished Chrome Z / Other Metallic	WB / White RAL 9010 DB / White RAL 9003 BB / Black RAL 9005 CB / Other RAL VB / Dark Bronze TB / Medium Bronze RB / Light Bronze YB / Burnished Brass GB / Polished Brass KB / Brushed Chrome LB / Polished Chrome ZB / Other Metallic	F / 60 min Fire Rated Plate 54 / IP54 65 / IP65 P / Sea & Spa IP65 C / Constant Torsion** T / Lockable Tilt & Rotate J / Plaster-In Plate E / 3hr Emergency H / Honeycomb N / Frosted Lens Z / LSZH Cable K / Click Connector F- / 60 min Fire Rated Hood

\* - Fire Rated Hood must be used with Dark Bronze, Medium Bronze, Light Bronze and Burnished Brass Bezels  
\*\* - NOTE: Fire Hood if used with constant torsion springs.

