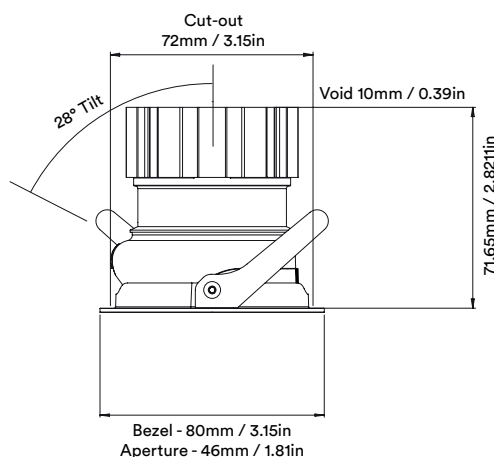


one adjustable origin installation



How to Install

- Cut hole in ceiling as per above cut-out;
- Wire luminaire cable to Orluna certified driver, ensuring correct polarity (red to positive terminal [+] and black to negative terminal [-]);
- With mains supply switched off, connect driver to mains supply (to avoid damaging the luminaire, do not hot-wire);
- Feed luminaire into cut-out by rotating clockwise pulling the light fitting fully up into the ceiling, ensuring Ø250mm around luminaire and driver is left clear of insulation.

Luminaire Details

Cut-out	Ø72mm	Class	III
Recess Depth	71.65mm	IP Rating	IP54/IP65
Clearance	Ø250mm	IP Zone	Zone 1
Fixing Method	Tick Springs	Material	Aluminium ADC12
Min Ceiling Thickness	5mm	Cable type	2 Core 0.75mm ²
Max Ceiling Thickness	28mm	Cable Length	300mm
Max Driver Distance	20m	Bezel Temp	F Rated