

erluna

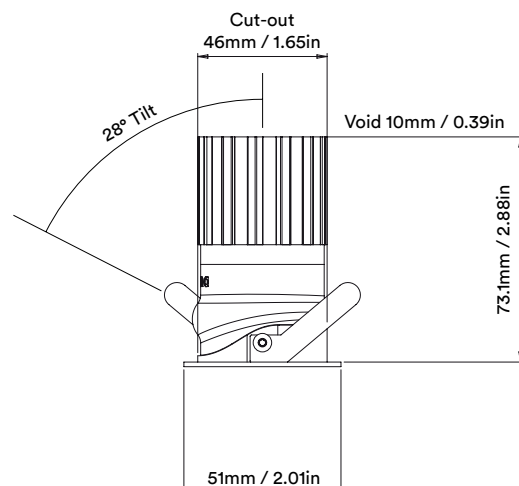
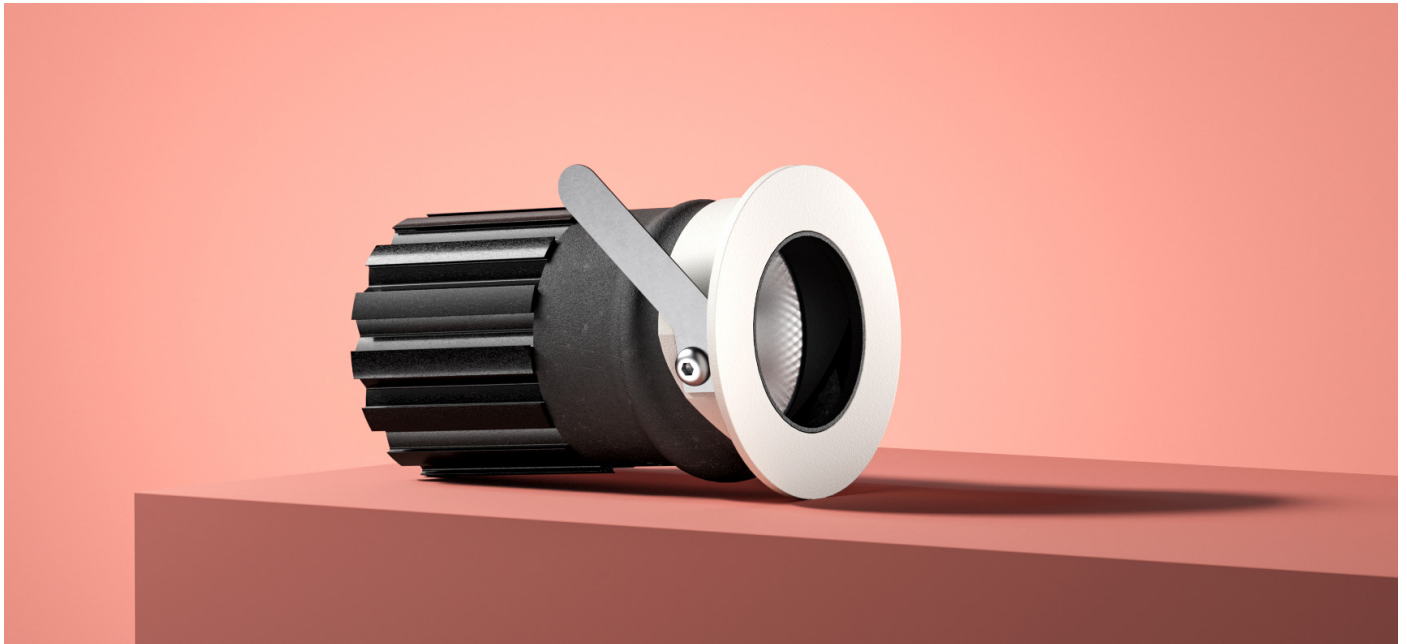
one mini
adjustable
origin

circular product



one mini adjustable
origin

circular product



Unit height increases by
12mm / 0.48in for SPOT and
both ELLIPTICAL BEAMS



one mini adjustable origin

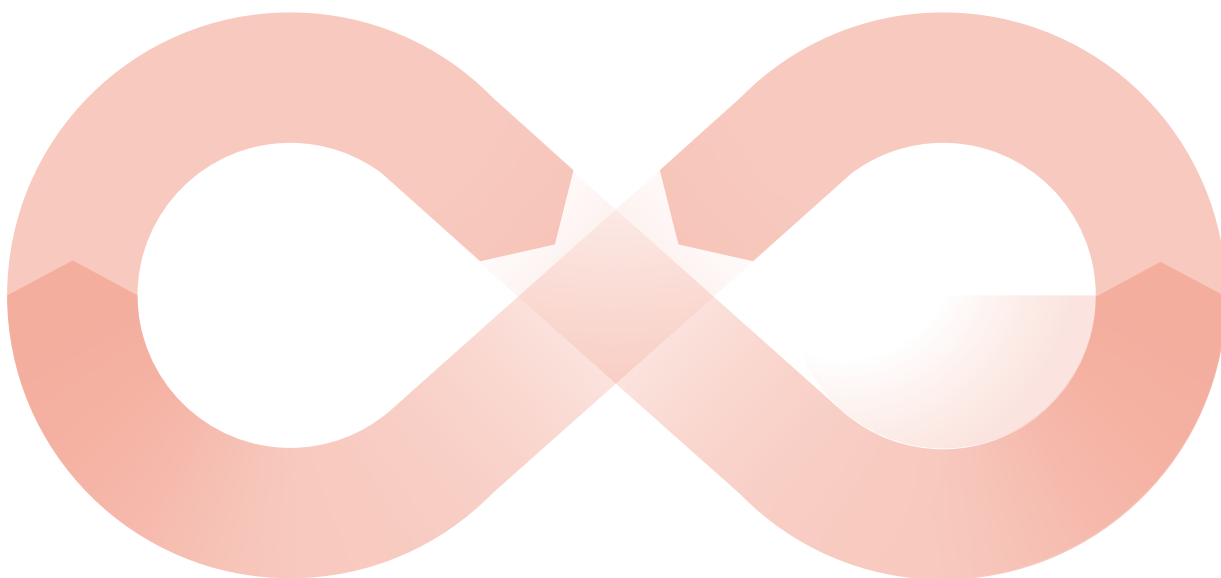
circular product

When an old Orluna light comes to the end of its life, or is faulty, instead of throwing it away, we kindly ask you to return it to us.

1

The fully repaired and tested product enters back into our stock – with a brand new warranty.

3



The 'new' light fitting is despatched to a new customer.

4

Once we've received the unwanted or faulty fitting, it's dismantled, repaired and renewed with a new LED and PCB.

2



one mini adjustable origin

circular product

		2700K					
		SPOT	CRISP		SOFT	SPECIALITY	
LIGHT VALUES	Beam Width FWHM	Spot 15°	Medium 20°	Wide 31°	Wash 34°	Elliptical 10x45°	Elliptical 20x40°
	Initial Lumens	549	549	549	549	549	549
	Engine Lumens	214	462	462	444	186	208
	Luminaire Lumens	151	296	278	242	115	149
	Engine Lm/W	40	87	87	83	35	39
	Luminaire Cd	1847	1919	964	614	343	1897
POWER	Voltage	17.6V					
	Drive Current	300mA					
	Circuit Power (typ)	5.3W					

		3000K					
		SPOT	CRISP		SOFT	SPECIALITY	
LIGHT VALUES	Beam Width FWHM	Spot 15°	Medium 20°	Wide 30°	Wash 34°	Elliptical 10x45°	Elliptical 20x40°
	Initial Lumens	587	587	587	587	587	587
	Engine Lumens	220	483	475	475	193	180
	Luminaire Lumens	148	315	292	261	105	125
	Engine Lm/W	41	91	90	89	36	33
	Luminaire Cd	1849	2060	1101	619	328	610
POWER	Voltage	17.6V					
	Drive Current	300mA					
	Circuit Power (typ)	5.3W					

Binning SDCM (Hot)	2						
CRI (typ)(R9)	98 (99)						
TM30 Rf Rg	Rf 93.8 Rg 101.9						
Lifetime (TM21)	L90 B5 50,000hrs (inc driver)						
Lifetime (Calculated)	L70 426,000hrs						
DRIVER	Protocols	Mains Dim / DALI / 0-10V / Non-dim					
	Dim to Dark	0.1% Lux					
	Distance from LED	20m / 65' (series wiring)					
	Emergency	Emergency packs available					

SPECIFICATION CODE

Engine type	Bezel	Colour Temp	Driver	Beam Width	Bezel Colour	Baffle Colour	Options
OR	- ONEM -	27	M	M	- W -	BB	F 54
		27 / 2700K 30 / 3000K	M / Mains Dim D / DALI 0 / 0-10v N / Non Dim X / No Driver	M / Medium W / Wide T / Soft S / Spot L / Elliptical Linear O / Elliptical Oval	W / White RAL 9010 D / White RAL 9003 B / Black RAL 9005 C / Other RAL V / Dark Bronze* T / Medium Bronze* R / Light Bronze* Y / Burnished Brass* G / Polished Brass K / Brushed Chrome L / Polished Chrome Z / Other Metallic	WB / White RAL 9010 DB / White RAL 9003 BB / Black RAL 9005 CB / Other RAL VB / Dark Bronze TB / Medium Bronze RB / Light Bronze YB / Burnished Brass GB / Polished Brass KB / Brushed Chrome LB / Polished Chrome ZB / Other Metallic	F / 60 min Fire Rated Plate 54 / IP54 65 / IP65 P / Sea & Spa IP65 C / Constant Torsion** H / Honeycomb N / Frosted Lens Z / LSZH Cable K / Click Connector F- / 60 min Fire Rated Hood

* - Fire Rated Hood must be used with Dark Bronze, Medium Bronze, Light Bronze and Burnished Brass Bezels
** - NOTE: Fire Hood if used with constant torsion springs.

