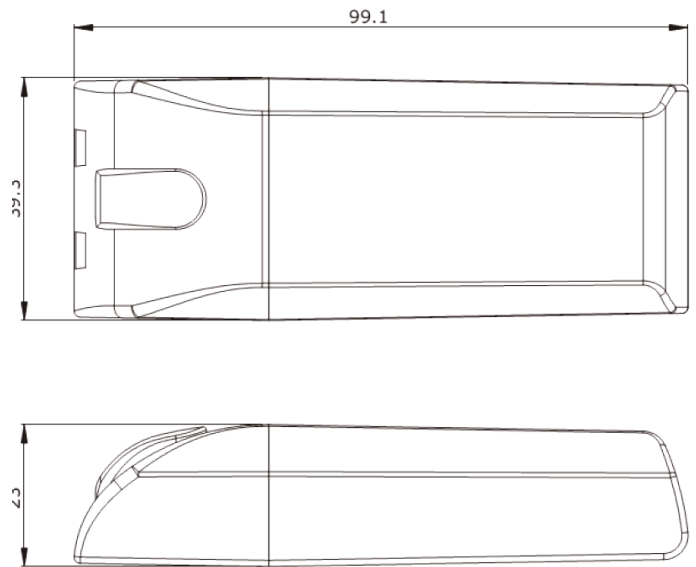


700mA Mains Dimmable DRIVER-M-700-L



Wiring

Wire + (SEC) to red luminaire cable

Wire 700mA (SEC) to black luminaire cable

Wire 1-2 (PRI) to mains live and neutral cable

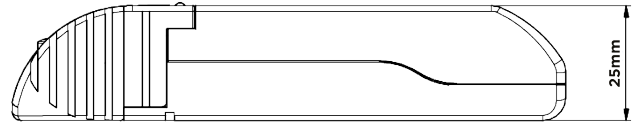
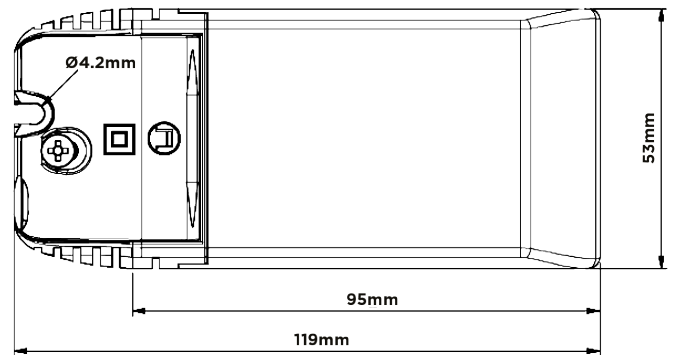
Maximum 20m from driver to luminaire

Driver Details

Input Voltage	220 - 240V AC	Environment	
Control Type	Trailing Edge	Ambient Temperature	-15°C to +45°C
Output current	700mA	Lifetime	30,000hrs
Output Voltage	3 - 32V DC	IP Zone	IP20
Output Power	1 - 12W		
Maximum Power	12W		
Typical Efficiency	<82%		
Power Factor	>0.9		
Inrush Current	0.43A		



700mA Mains Dimmable DRIVER-M-700-1



Wiring

Wire + (SEC) to red luminaire cable

Wire - (SEC) to black luminaire cable

Wire 1-2 (PRI) to mains live and neutral cable

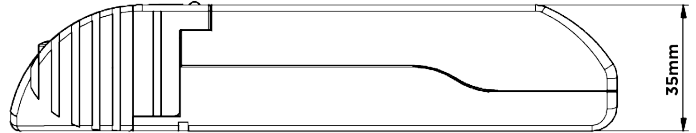
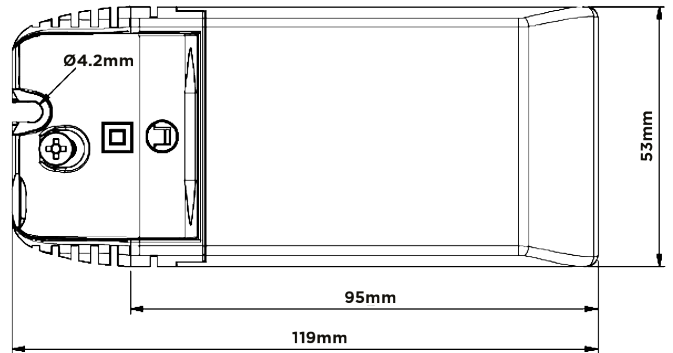
Maximum 20m from driver to luminaire

Driver Details

Input Voltage	220 - 240V AC
Control Type	Leading/Trailing
Output current	700mA
Output Voltage	7 - 14V DC
Output Power	4.9 - 10W
Maximum Power	10W
Typical Efficiency	>83%
Power Factor	>0.95
Inrush Current	5Ip/A

Environment	
Ambient Temperature	-20°C to +55°C
Lifetime	50,000hrs
IP Zone	IP20

700mA Mains Dimmable DRIVER-M-700-2



Wiring

Wire + (SEC) to red luminaire cable

Wire - (SEC) to black luminaire cable

Wire 1-2 (PRI) to mains live and neutral cable

Maximum 20m from driver to luminaire

Driver Details

Input Voltage	220 - 240V AC
Control Type	Leading/Trailing
Output current	700mA
Output Voltage	18 - 36V DC
Output Power	12.6 - 25W
Maximum Power	25W
Typical Efficiency	>86%
Power Factor	>0.90
Inrush Current	7Ip/A

Environment	
Ambient Temperature	-20°C to +55°C
Lifetime	50,000hrs
IP Zone	IP20

