

Pug, multum *in parvo.*

design Jean-François Crochet
terzani.com

TERZANI
LA LUCE PENSATA



Name
Pug
pendant light

Materials
brass | glass



Finishes | Code



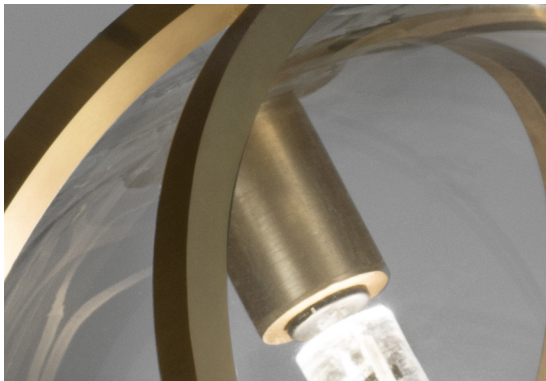
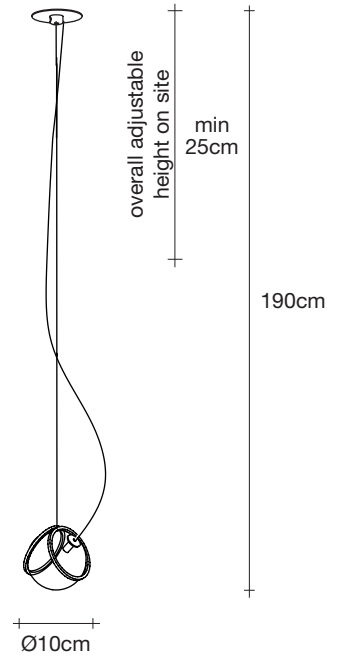
white disc | clear | raw brass
OU01S P1 A9 KK




white disc | satin white | polished brass
OU01S N5 A3 KK

Body

NO DRIVER INCLUDED



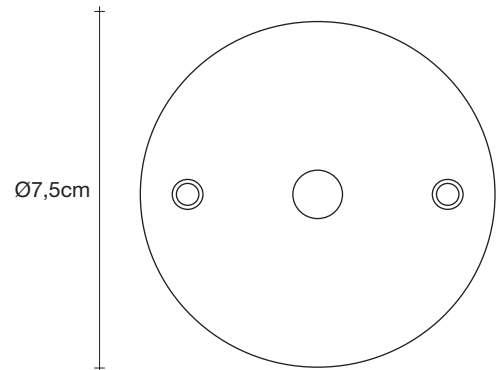
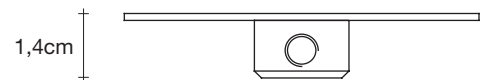
Light source
12V ~ 50/60Hz

 LED
1,5W G412V

dimnable drivers available

 IGBT
0/1-10V
10-100kΩ
PUSH
DALI

Disc | white



Pugs are a dog described as “much in little”, referring to the greatness of their personalities despite their diminutive size. Inspired by the Pug’s charm, designer Jean-François Crochet created the Pug pendant light whose protruding spherical lights are reminiscent of a pug’s face. As with the breed, the Pug pendant packs significant charm and beauty into a small package. Illuminated by LED light, these glass pendants are framed by two brass bands. With Pug, it’s easy to bring a new best friend (or pack of friends) into a home.

Pug, multum *in parvo.*

design Jean-François Crochet
terzani.com

TERZANI
LA LUCE PENSATA





Name
Pug
pendant light

Materials
brass | glass

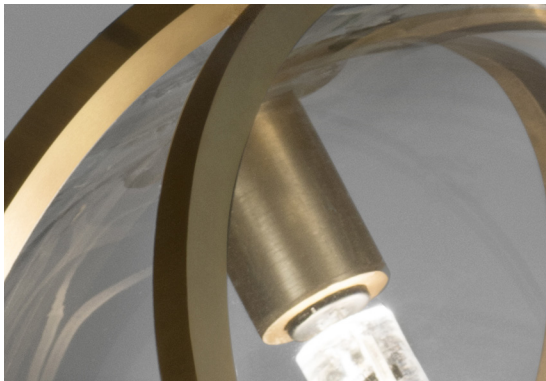
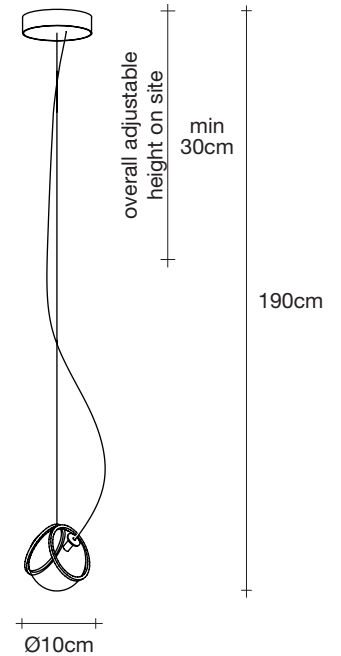
CE ENEC CB

Finishes | Code

 clear | raw brass
OU01S P1 A9

 satin white | polished brass
OU01S N5 A3


Body



Light source
230-240V ~ 50/60Hz

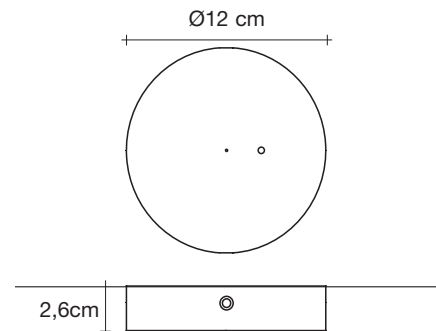
 LED
1,5W G4 12V
3W G4 12V

dimnable options

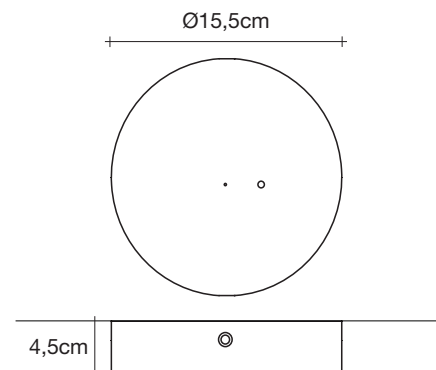
 not dimmable

 DALI

Canopy



Canopy for DALI



Pugs are a dog described as “much in little”, referring to the greatness of their personalities despite their diminutive size. Inspired by the Pug’s charm, designer Jean-François Crochet created the Pug pendant light whose protruding spherical lights are reminiscent of a pug’s face. As with the breed, the Pug pendant packs significant charm and beauty into a small package. Illuminated by LED light, these glass pendants are framed by two brass bands. With Pug, it’s easy to bring a new best friend (or pack of friends) into a home.

Pug, multum *in parvo.*

design Jean-François Crochet
terzani.com

TERZANI
LA LUCE PENSATA




Name
Pug
3 light pendant

Materials
brass | glass

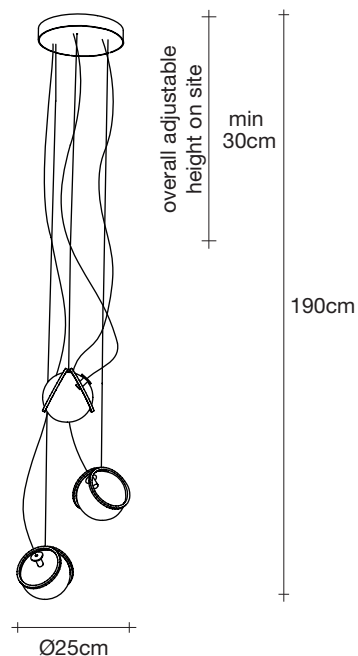
CE ENEC CB

Finishes | Code


 clear | raw brass
OU03S P1 A9

 satin white | polished brass
OU03S N5 A3

Body



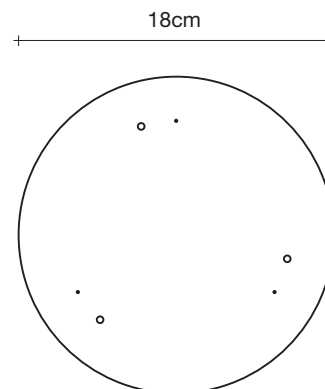
Light source
230-240V ~ 50/60Hz

 LED
3 x 1,5W G4 12V

dimnable options

 IGBT
DALI
1-10V
PWM

Canopy



Pugs are a dog described as “much in little”, referring to the greatness of their personalities despite their diminutive size. Inspired by the Pug’s charm, designer Jean-François Crochet created the Pug pendant light whose protruding spherical lights are reminiscent of a pug’s face. As with the breed, the Pug pendant packs significant charm and beauty into a small package. Illuminated by LED light, these glass pendants are framed by two brass bands. With Pug, it’s easy to bring a new best friend (or pack of friends) into a home.