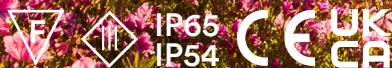


erluna

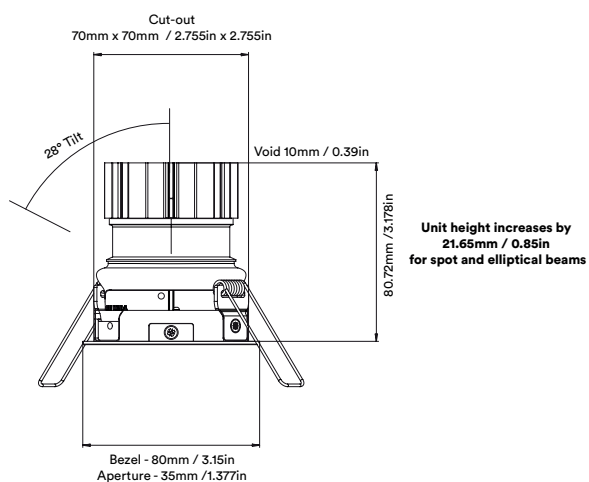
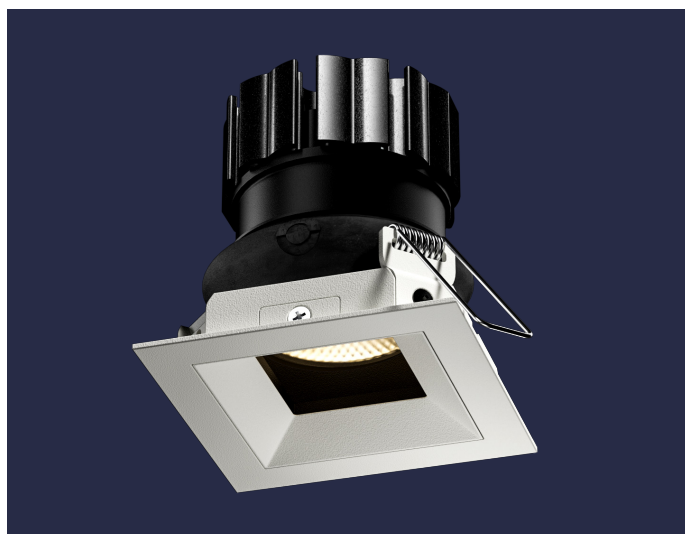
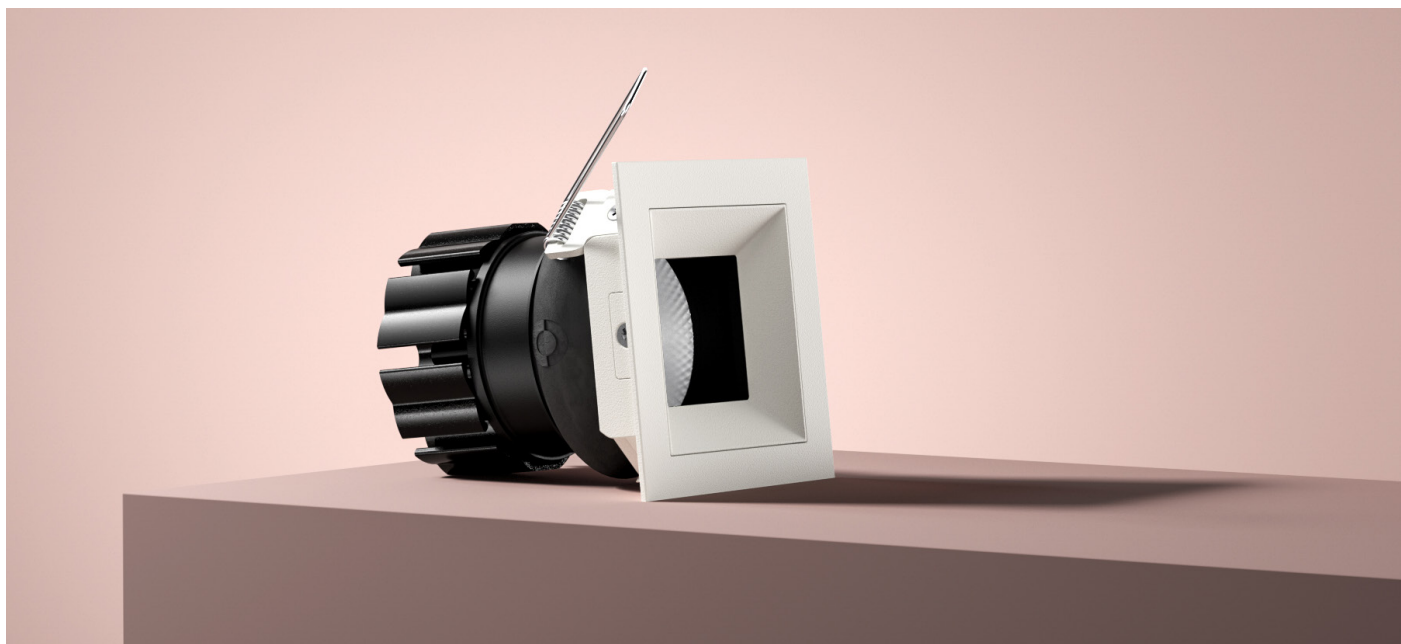
riva adjustable
origin

circular product



riva adjustable origin

circular product



riva adjustable origin

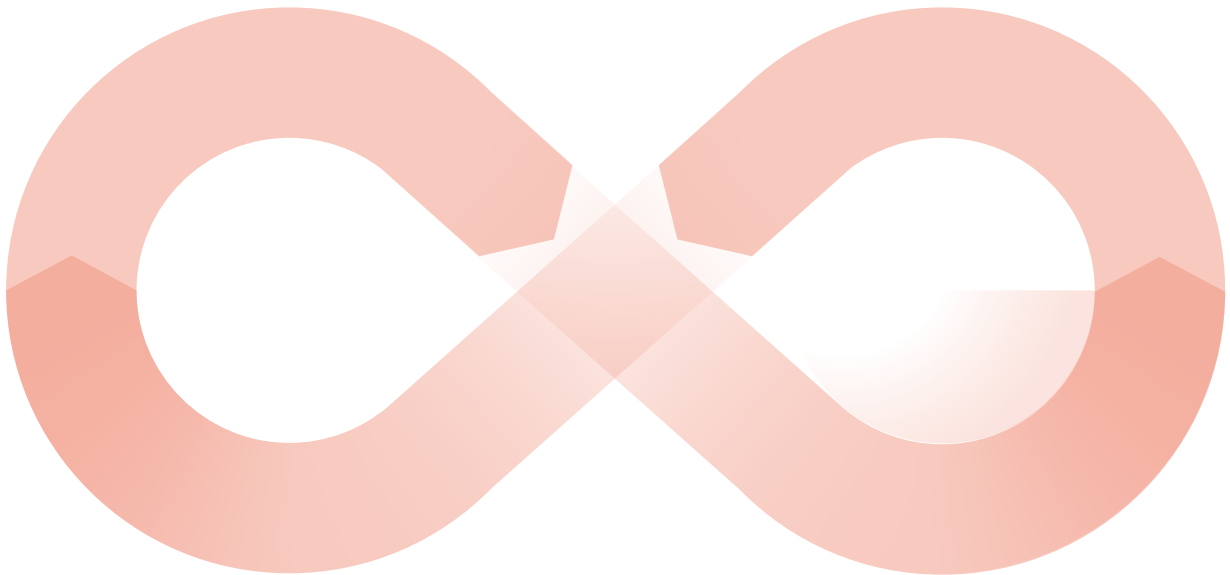
circular product

When an old Orluna light comes to the end of its life, or is faulty, instead of throwing it away, we kindly ask you to return it to us.

1

The fully repaired and tested product enters back into our stock – with a brand new warranty.

3

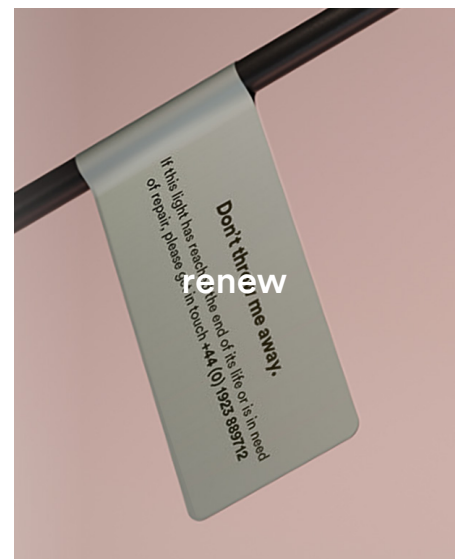


The 'new' light fitting is despatched to a new customer.

4

Once we've received the unwanted or faulty fitting, it's dismantled, repaired and renewed with a new LED and PCB.

2



riva adjustable origin

circular product

		2700K									
		SPOT			SOFT				SPECIALITY		
LIGHT VALUES	Beam Width FWHM	Ultra 8°	Spot 10°	Narrow 14°	Medium 29°	Wide 38°	Flood 42°	Wash 50°	Crisp 35°	Elliptical 10x45°	Elliptical 20x40°
	Initial Lumens	526	893	1164	1164	1164	1164	1164	1164	1164	1164
	Engine Lumens	183	295	380	975	968	935	942	970	323	320
	Luminaire Lumens	141	241	312	483	501	449	503	515	157	204
	Engine Lm/W	23	24	33	86	85	82	83	85	26	26
	Luminaire Cd	5096	6317	4534	1567	1082	843	707	1516	612	1181
	POWER	Voltage	36V	36V	34V				36V		
Drive Current	180mA	300mA	300mA				300mA				
Circuit Power (typ)	7.8W	12.2W	11.4W				12.2W				

		3000K									
		SPOT			SOFT				SPECIALITY		
LIGHT VALUES	Beam Width FWHM	Ultra 8°	Spot 10°	Narrow 14°	Medium 29°	Wide 39°	Flood 43°	Wash 51°	Crisp 36°	Elliptical 10x45°	Elliptical 20x40°
	Initial Lumens	561	935	1252	1252	1252	1252	1252	1252	935	935
	Engine Lumens	204	302	407	1013	1026	999	1013	1025	354	350
	Luminaire Lumens	165	249	317	530	521	469	505	586	158	239
	Engine Lm/W	26	25	36	89	90	88	89	90	29	29
	Luminaire Cd	5437	6019	4497	1687	1101	865	681	1630	628	1191
POWER	Voltage	36V	36V	34V				36V			
Drive Current	180mA	300mA	300mA				300mA				
Circuit Power (typ)	7.8W	12.2W	11.4W				12.2W				

Binning SDCM (Hot)	2									
CRI (typ)(R9)	98 (99)									
TM30 Rf Rg	Rf 93.8 Rg 100.9									
Lifetime (TM21)	L90 B5 50,000hrs (inc driver)									
Lifetime (Calculated)	L70 426,000hrs									
DRIVER	Protocols	Mains Dim / DALI / 0-10V / Non-dim								
Dim to Dark	0.1% Lux									
Distance from LED	20m / 65' (series wiring)									
Emergency	Emergency packs available									

SPECIFICATION CODE

Engine type	Bezel	Colour Temp	Driver	Beam Width	Bezel Colour	Baffle Colour	Options
OR	- RIV	- 27	M	S	- W	- BB	- F 54 E
27 / 2700K 30 / 3000K 40 / 4000K			M / Mains Dim D / DALI 0 / 0-10v N / Non Dim X / No Driver	U / Ultra S / Spot N / Narrow M / Medium W / Wide F / Flood H / Wash C / Crisp L / Elliptical Linear O / Elliptical Oval	W / White RAL 9010 D / White RAL 9003 B / Black RAL 9005 C / Other RAL V / Dark Bronze T / Medium Bronze R / Light Bronze Y / Burnished Brass G / Polished Brass K / Brushed Chrome L / Polished Chrome Z / Other Metallic	WB / White RAL 9010 DB / White RAL 9003 BB / Black RAL 9005 CB / Other RAL GB / Polished Brass KB / Brushed Chrome LB / Polished Chrome ZB / Other Metallic	F / 60 min Fire Rated Hood 54 / IP54 65 / IP65 P / Sea & Spa IP65 T / Lockable Tilt & Rotate E / 3hr Emergency H / Honeycomb N / Frosted Lens Z / LSZH Cable K / Click Connector

28/03/24