

## ROMA WALL

### FINISH

antique bronze with honed alabaster  
 bronze with honed alabaster  
 satin brass with honed alabaster

### DIMENSIONS (body of fixture)

54 x 85 x 190 mm (w x d x h)

### WEIGHT

2kg (4.4lbs)

### ILLUMINATION

220-240v - integrated mains LED - 9w - 2700k  
 110-130v - integrated mains LED - 9w - 2700k  
 no driver required

### DIMMING

trailing edge dimmable / phase cut (rotary dimmer) - standard  
 DALI option available (220-240v only)

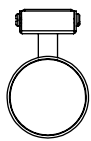
### WALL ROSE / PLATE

rectangular wall box - 39 x 15 x 77 mm (w x d x h)

### CERTIFICATION

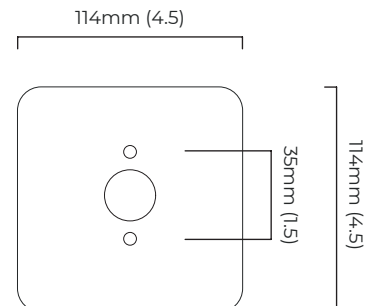
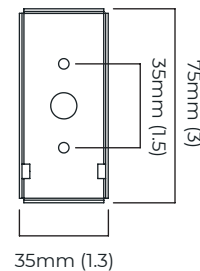
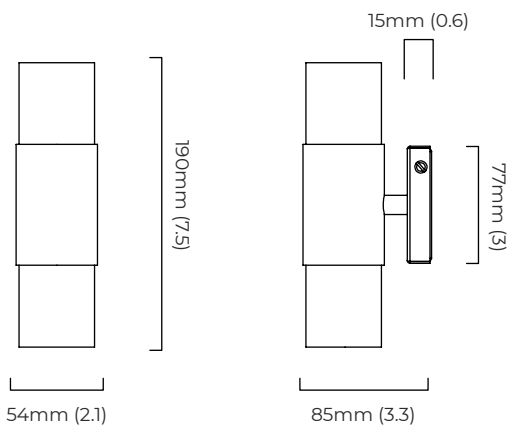


### VIEW ON WEBSITE



mounting plate dimensions

North America junction box cover



\*Diagrams are not to scale.

## ROMA WALL - DALI-A

### FINISH

antique bronze with honed alabaster  
 bronze with honed alabaster  
 satin brass with honed alabaster

### DIMENSIONS (body of fixture)

54 x 85 x 190 mm (w x d x h)

### WEIGHT

2kg (4.4lbs)

### ILLUMINATION

220-240v - integrated mains LED - 9w - 2700k  
 DALI converter to be installed in the wall/ceiling cavity

### DIMMING

DALI compatible

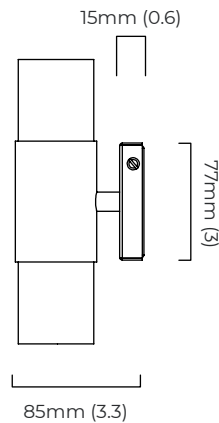
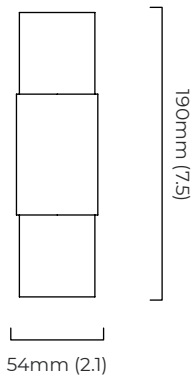
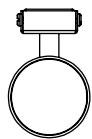
### WALL ROSE / PLATE

rectangular wall box - 39 x 15 x 77 mm (w x d x h)

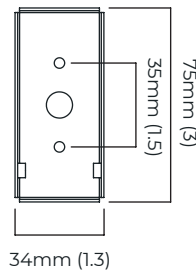
### CERTIFICATION



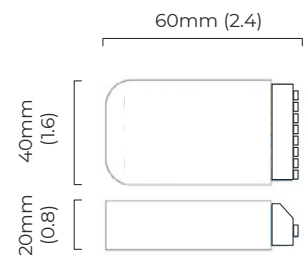
### VIEW ON WEBSITE



mounting plate dimensions



DALI converter dimensions



\*Diagrams are not to scale.

## ROMA WALL - DALI-B

### FINISH

antique bronze with honed alabaster  
 bronze with honed alabaster  
 satin brass with honed alabaster

### DIMENSIONS (body of fixture)

54 x 95 x 190 mm (w x d x h)

### WEIGHT

2kg (4.4lbs)

### ILLUMINATION

220-240v - integrated mains LED - 9w - 2700k  
 DALI converter to be installed in the wall rose

### DIMMING

DALI compatible

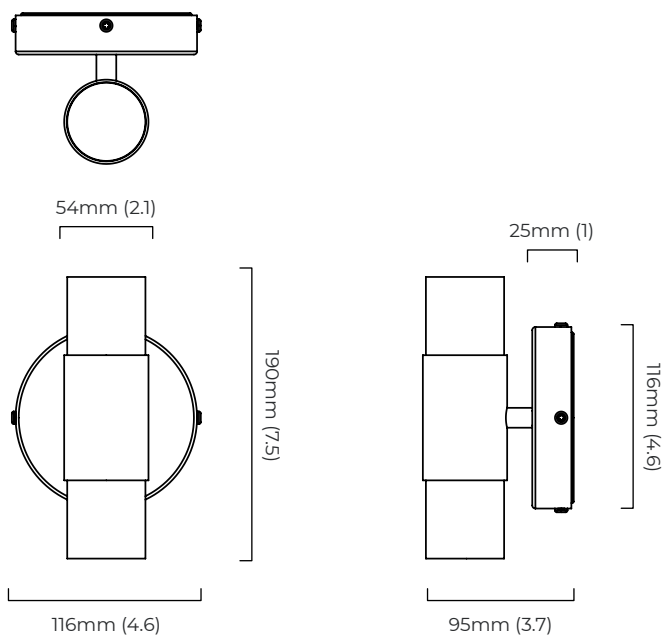
### WALL ROSE / PLATE

round wall rose - 116 x 25 mm (dia x h)

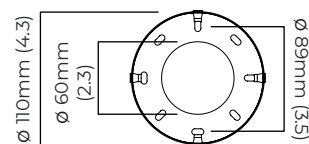
### CERTIFICATION



### VIEW ON WEBSITE



mounting plate dimensions



\*Diagrams are not to scale.

## ROMA WALL

### ROMA WALL

SKU NUMBER	FINISH DESCRIPTION	VOLTAGE
ROMWAOABHA-PL-240	antique bronze with honed alabaster	220 - 240V
ROMWAOBZHA-PL-240	bronze with honed alabaster	220 - 240V
ROMWAOBHA-PL-240	satın brass with honed alabaster	220 - 240V
ROMWAOABHA-PL-110	antique bronze with honed alabaster	110 - 130V
ROMWAOBZHA-PL-110	bronze with honed alabaster	110 - 130V
ROMWAOBHA-PL-110	satın brass with honed alabaster	110 - 130V

### ROMA WALL - DALI-A

SKU NUMBER	FINISH DESCRIPTION	TYPE OF DALI	VOLTAGE
ROMWAOABHA-DALIA-240	antique bronze with honed alabaster	DALI A included - For lights that do not require aesthetic alterations. Dali can be fitted inside the ceiling/wall cavity	220 - 240V
ROMWAOBZHA-DALIA-240	bronze with honed alabaster	DALI A included - For lights that do not require aesthetic alterations. Dali can be fitted inside the ceiling/wall cavity	220 - 240V
ROMWAOBHA-DALIA-240	satın brass with honed alabaster	DALI A included - For lights that do not require aesthetic alterations. Dali can be fitted inside the ceiling/wall cavity	220 - 240V

### ROMA WALL - DALI-B

SKU NUMBER	FINISH DESCRIPTION	TYPE OF DALI	VOLTAGE
ROMWAOABHA-DALIB-240	antique bronze with honed alabaster	DALI B included - The light will feature a deeper ceiling/wall rose. For use when there is no space in the existing ceiling/wall cavity	220 - 240V
ROMWAOBZHA-DALIB-240	bronze with honed alabaster	DALI B included - The light will feature a deeper ceiling/wall rose. For use when there is no space in the existing ceiling/wall cavity	220 - 240V
ROMWAOBHA-DALIB-240	satın brass with honed alabaster	DALI B included - The light will feature a deeper ceiling/wall rose. For use when there is no space in the existing ceiling/wall cavity	220 - 240V