



erluna

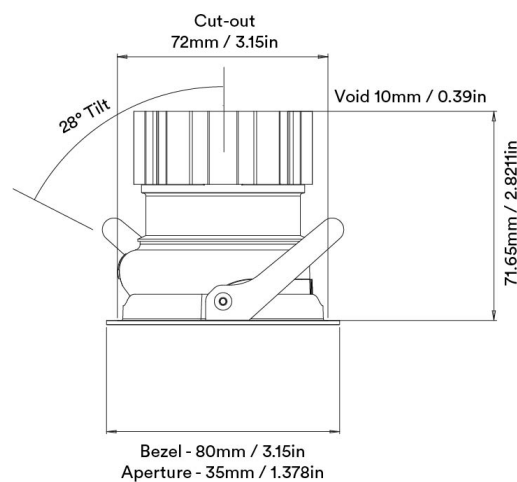
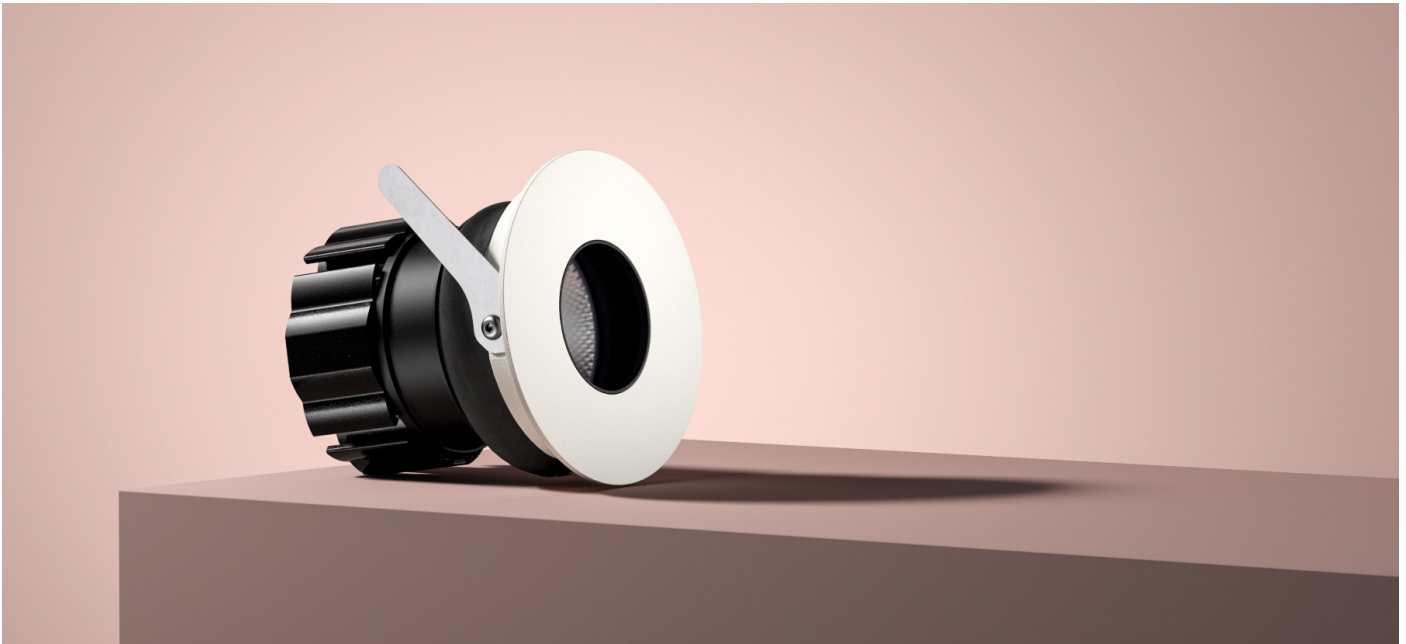
timo adjustable
origin

circular product

  IP65
IP54  

timo adjustable origin

circular product



Unit height increases by
21.65mm / 0.85in
for spot and elliptical beams



timo adjustable origin

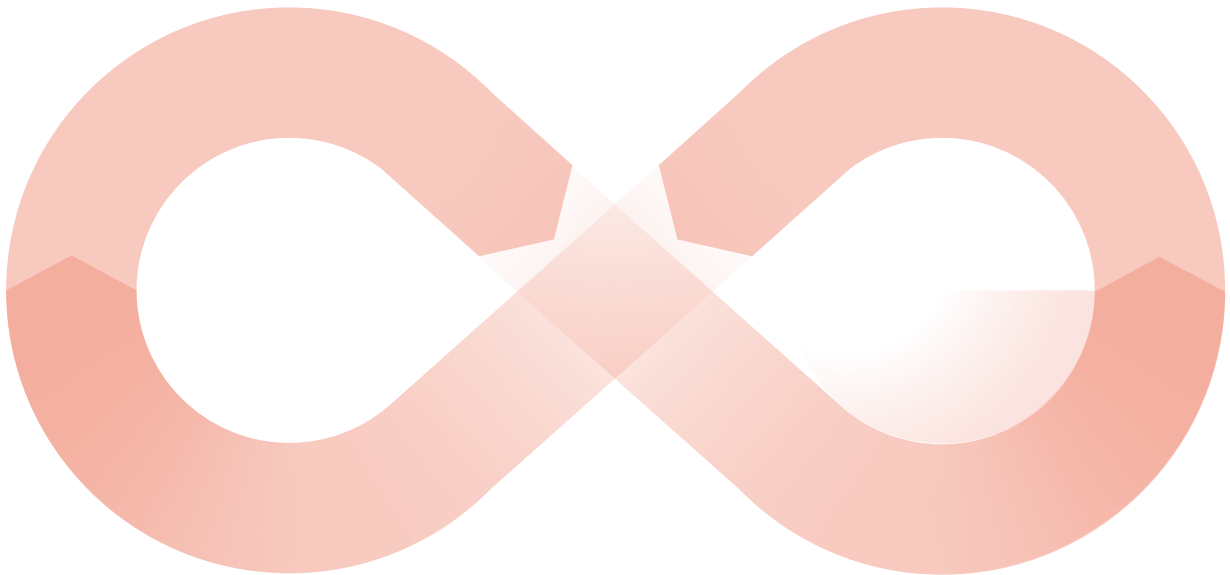
circular product

When an old Orluna light comes to the end of its life, or is faulty, instead of throwing it away, we kindly ask you to return it to us.

1

The fully repaired and tested product enters back into our stock –with a brand new warranty.

3

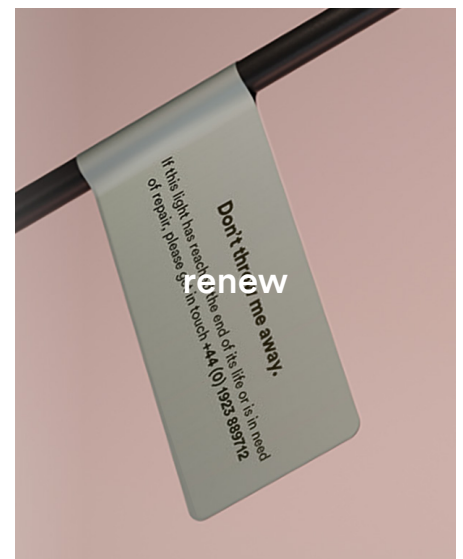


The 'new' light fitting is despatched to a new customer.

4

Once we've received the unwanted or faulty fitting, it's dismantled, repaired and renewed with a new LED and PCB.

2



timo adjustable origin

circular product

		2700K										
		SPOT			SOFT				SPECIALITY			
LIGHT VALUES	Beam Width FWHM	Ultra 8°	Spot 10°	Narrow 15°	Medium 31°	Wide 38°	Flood 40°	Wash 49°	Crisp 36°	Elliptical 10x45°	Elliptical 20x40°	
		Initial Lumens	526	893	1164	1164	1164	1164	1164	1164	893	893
		Engine Lumens	183	295	380	975	968	935	942	970	341	341
		Luminaire Lumens	119	215	287	419	434	392	454	473	122	179
		Engine Lm/W	23	24	33	86	85	82	83	85	31	31
		Luminaire Cd	4196	5509	3926	1309	973	804	654	1400	522	991
POWER	Voltage	36V	36V	34V				36V				
	Drive Current	180mA	300mA	300mA				300mA				
	Circuit Power (typ)	7.8W	12.2W	11.4W				12.2W				

		3000K										
		SPOT			SOFT				SPECIALITY			
LIGHT VALUES	Beam Width FWHM	Ultra 9°	Spot 10°	Narrow 14°	Medium 31°	Wide 38°	Flood 40°	Wash 48°	Crisp 37°	Elliptical 10x45°	Elliptical 20x40°	
		Initial Lumens	561	935	1252	1252	1252	1252	1252	1252	935	935
		Engine Lumens	204	302	407	1013	1026	999	1013	1025	354	350
		Luminaire Lumens	154	234	266	448	467	419	479	516	141	157
		Engine Lm/W	26	25	36	89	90	88	89	90	29	29
		Luminaire Cd	4984	5620	3683	1386	1026	843	692	1455	554	1042
POWER	Voltage	36V	36V	34V				36V				
	Drive Current	180mA	300mA	300mA				300mA				
	Circuit Power (typ)	7.8W	12.2W	11.4W				12.2W				

Binning SDCM (Hot)	2
CRI (typ)(R9)	98 (99)
TM30 Rf Rg	Rf 93.8 Rg 101.9
Lifetime (TM21)	L90 B5 50,000hrs (inc driver)
Lifetime (Calculated)	L70 426,000hrs
Protocols	Mains Dim / DALI / 0-10V / Non-dim
Dim to Dark	0.1% Lux
Distance from LED	20m / 65' (series wiring)
Emergency	Emergency packs available

SPECIFICATION CODE

Engine type	Bezel	Colour Temp	Driver	Beam Width	Bezel Colour	Baffle Colour	Options
OR	TI	27	M	S	W	BB	F 54 E
27 / 2700K 30 / 3000K 40 / 4000K			M / Mains Dim D / DALI 0 / 0-10v N / Non Dim X / No Driver	U / Ultra S / Spot N / Narrow M / Medium W / Wide F / Flood H / Wash C / Crisp L / Elliptical Linear O / Elliptical Oval	W / White RAL 9010 D / White RAL 9003 B / Black RAL 9005 C / Other RAL V / Dark Bronze* T / Medium Bronze* R / Light Bronze* Y / Burnished Brass* G / Polished Brass K / Brushed Chrome L / Polished Chrome Z / Other Metallic	WB / White RAL 9010 DB / White RAL 9003 BB / Black RAL 9005 CB / Other RAL GB / Polished Brass KB / Brushed Chrome LB / Polished Chrome ZB / Other Metallic	F / 60 min Fire Rated Plate 54 / IP54 65 / IP65 P / Sea & Spa IP65 C / Constant Torsion** J / Plaster-In Plate T / Lockable Tilt & Rotate E / 3hr Emergency H / Honeycomb N / Frosted Lens Z / LSZH Cable K / Click Connector F- / 60 min Fire Rated Hood

* - Fire Rated Hood must be used with Dark Bronze, Medium Bronze, Light Bronze and Burnished Brass Bezels
** - NOTE: Fire Hood if used with constant torsion springs.