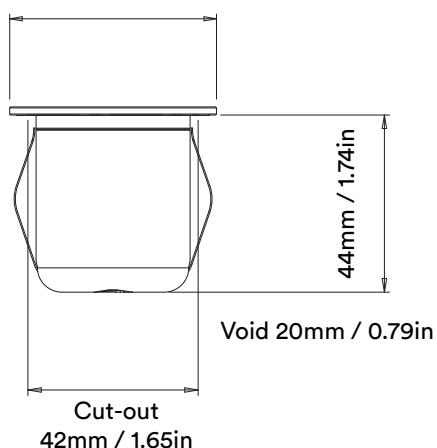
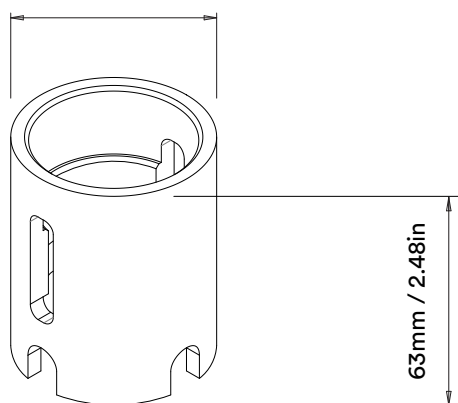


Bezel - 51mm / 2in  
Aperture - 27.6mm / 1.09in



50.8mm / 2in



**Optional Installation sleeve  
for screeding and masonry  
applications only**

#### How to Install

- Cut hole in installation surface as per above cut-out;
- Wire luminaire cable to Orluna certified driver, ensuring correct polarity (red to positive terminal [+] and black to negative terminal [-]). If multiple fittings are connected to a single driver the luminaires must be wired in series;
- With mains supply switched off, connect driver to mains supply (to avoid damaging the luminaire, do not hot-wire);
- Feed luminaire into cut-out pushing the light fitting fully into the installation surface. Ensure Ø250mm around luminaire and driver is left clear of insulation if being used.

#### Luminaire Details

Cut-out	Ø42mm	Class	III
Recess Depth	44mm	IP Rating	IP54/IP67
Clearance	Ø250mm	IP Zone	Zone 1
Fixing Method	Side Springs	Material	Aluminium ADC12
Max Driver Distance	20m	Cable type	2 Core 0.75mm <sup>2</sup>
		Cable Length	300mm
		Bezel Temp	F Rated