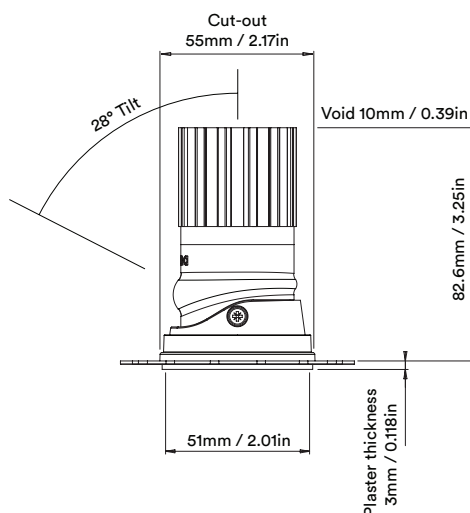
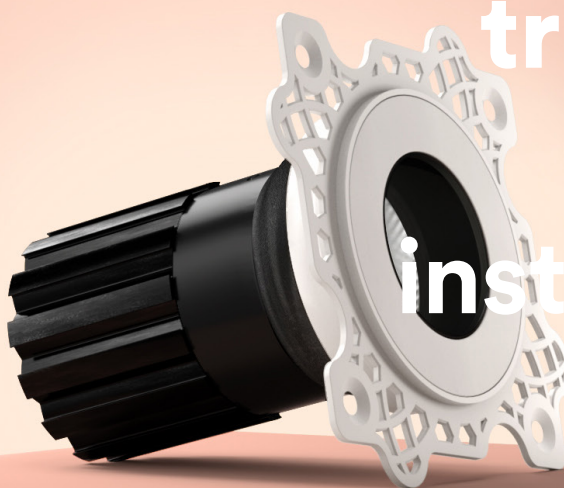


true mini origin installation



Unit height increases by 12mm / 0.48in for SPOT and both ELLIPTICAL BEAMS

How to Install

- Cut hole in ceiling as per above cut-out; attach first fix plaster plate.
- Wire luminaire cable to OrLuna certified driver, ensuring correct polarity (red to positive terminal [+] and black to negative terminal [-]);
- With mains supply switched off, connect driver to mains supply (to avoid damaging the luminaire, do not hot-wire);
- Press the luminaire into plaster frame, ensuring Ø250mm around luminaire and driver is left clear of insulation.

Luminaire Details

Cut-out	Ø55mm	Class	III
Recess Depth	82.6mm	IP Rating	IP54/IP65
Clearance	Ø250mm	IP Zone	Zone 1
Fixing Method	Ball catch	Material	Aluminium ADC12
Min Ceiling Thickness	5mm	Cable type	2 Core 0.75mm ²
Max Ceiling Thickness	28mm	Cable Length	300mm
Max Driver Distance	20m	Bezel Temp	F Rated