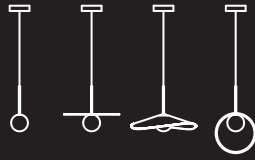


Bola Pendant Collection Installation Guide



Pablo®

PAGE 1/4

PRIOR TO ASSEMBLY AND INSTALLATION, PLEASE READ THE FOLLOWING CAREFULLY.

IMPORTANT INFORMATION

- We recommend all ceiling mounted or flush wall fixtures be installed by a licensed electrician. Prior to installation, we advise carefully reviewing the assembly guide.
- Turn off power to the junction box before installing the lamp.
- Set the light switch to the off position.
- This fixture is specifically designed for indoor use and is not suitable for bathrooms or humid environments.
- Incorrectly wiring the fixture could potentially damage the fixture, LED, or components and void the warranty.
- Disassembling, modifying, or attempting to repair this fixture may void the warranty. For technical assistance, contact Pablo Designs' customer service department.
- All assembly guides are available for download on Pablodesigns.com in case this document is lost or damaged.

BOLA SPECIFIC

- When installing multiple lamps, wire them in parallel to achieve optimal light quality from each lamp. Wiring in series will lead to a gradual loss of light performance as the lamps move further away from the building power source.
- When installing multiple lamps of varying sizes, ensure the appropriate transformer is used for each light source.
- Incorrectly wiring the wrong size transformer to the LED can lead to the failure of both the light source and the transformer.

MATERIALS/ FINISHES

- Glass is fragile and can be easily damaged if mishandled.
- Opal glass is handblown, the artisanal craftsmanship can reveal subtle imperfections like air bubbles, thickness variations, or scratches, which emphasize the materials unique craft, exclusivity, and authenticity.
- Use provided gloves when handling lamps to avoid fingerprints.

CLEANING INSTRUCTIONS

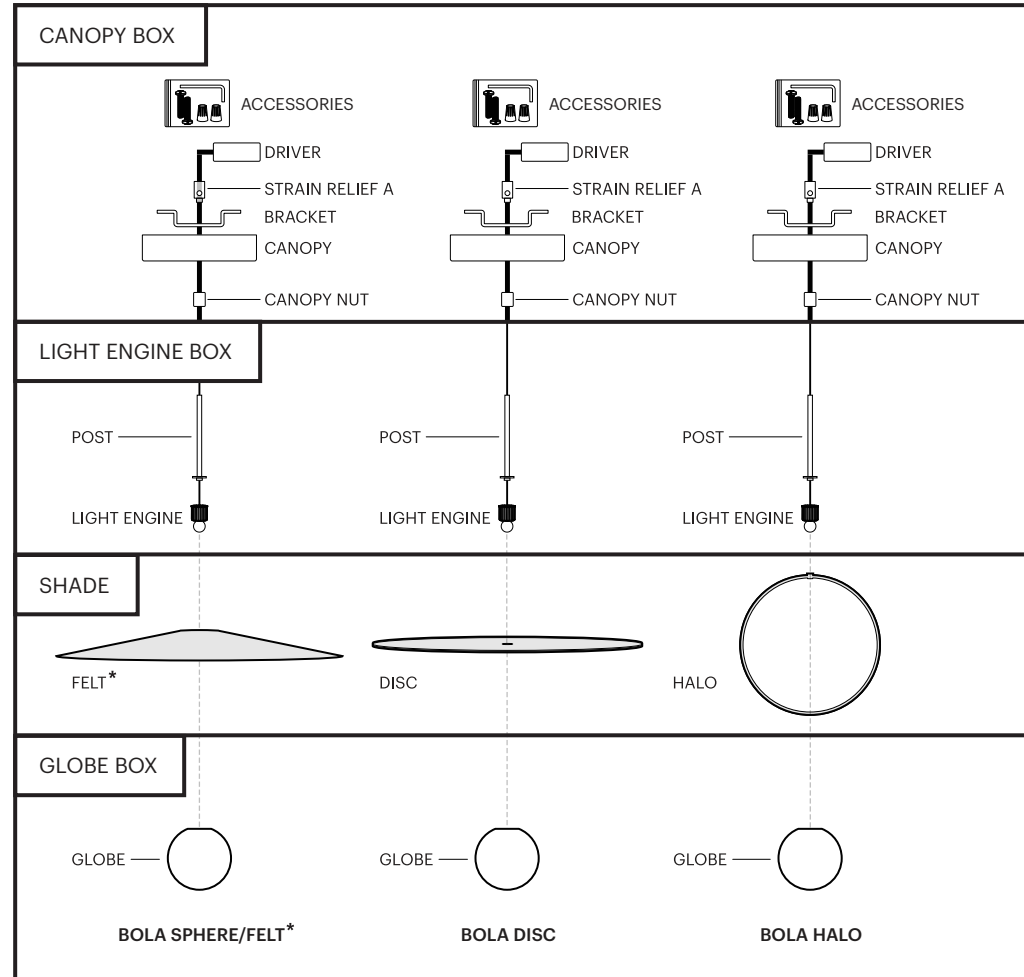
- Only use a soft lint-free cloth for cleaning this fixture, dampened with water or a mild cleanser if needed. Avoid using alcohol, solvents, or abrasive cleaners, as they may harm the lamp finish.

LIGHT SOURCE REPLACEMENT

- Contact manufacturer for replacement

Contents

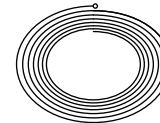
BOLA PENDANTS SHIP IN MULTIPLE BOXES IN ORDER TO ENSURE THE SAFETY OF ALL COMPONENTS.



TECHNICAL SPECIFICATIONS

	POWER - LUMINOSITY - COLOR TEMP	DRIVER INPUT	DRIVER OUTPUT	DRIVER LOAD
BOLA 4.5 UNV. DTW (DISC 12,18, HALO 12)	6W - 290 lm - 2700-1800K DTW	120-277VAC, 0.06A 50/60Hz	300mA CC	10-20V, 40VDC LED, 6W MAX
BOLA 6 UNV. DTW (DISC 22, FELT 24, HALO 18)	12W - 800 lm - 2700-1800K DTW	120-277VAC, 0.12A 50/60Hz	350mA CC	15-34V, 42VDC LED, 12W MAX
BOLA 8,10,12,16 UNV. DTW (DISC 32, FELT 32,42,52, HALO 22)	20W - 1710 lm - 2700-1800K DTW	120-277VAC, 0.22A 50/60Hz	600mA CC	20-36V, LED, 22W MAX
BOLA 4.5 US. CCT (DISC 12,18, HALO 12)	6W - 290 lm - 3000K CCT	120-277VAC, 0.08A 50/60Hz	200mA CC	20-40V, 40VDC LED
BOLA 6 US. CCT (DISC 22, FELT 24, HALO 18)	12W - 800 lm - 3000K CCT	120-277VAC, 0.15A 50/60Hz	350mA CC	20-42V, 42VDC LED
BOLA 8,10,12,16 US. CCT (DISC 32, FELT 32,42,52, HALO 22)	20W - 1710 lm - 3000K CCT	120-277VAC, 0.2A 50/60Hz	500mA CC	20-42V, LED,

STEEL CABLE



STRAIN RELIEF B



FOR BOLA DISC 32 AND BOLA FELT 32, 42, 52; A STEEL SUPPORT CABLE KIT WILL BE INCLUDED.

IF THERE ARE MISSING OR DAMAGED PARTS, PLEASE CONTACT US AS SOON AS POSSIBLE TO FILE A REPORT. CLEAR PHOTOS AND DESCRIPTIONS WILL ENABLE OUR CUSTOMER SERVICE TEAM TO QUICKLY AND EFFECTIVELY ADDRESS YOUR CLAIM.

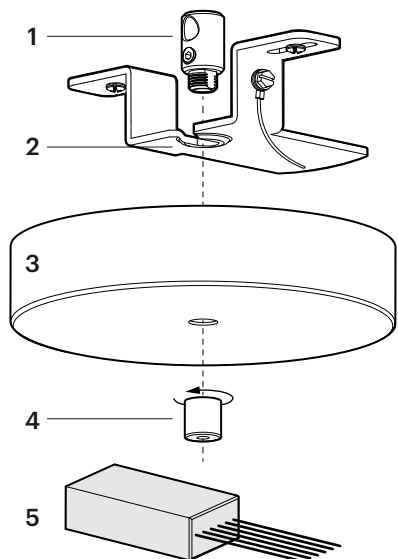
(415) 865-5000
888 MARIN STREET
SAN FRANCISCO, CA 94124
INFO@PABLODESIGNS.COM
[INFO@PABLODESIGNS.EU]

Bola Pendant Collection Installation Guide

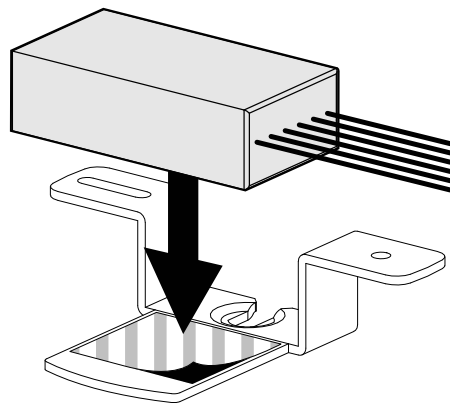
Pablo®

PAGE 2/4

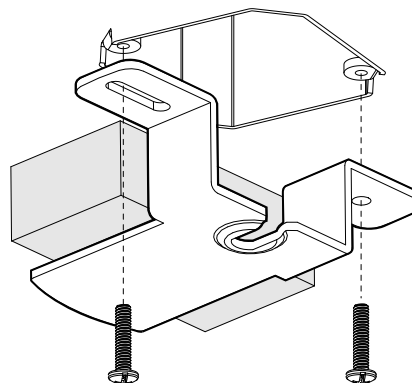
1 Remove the contents of the canopy box and separate key items.



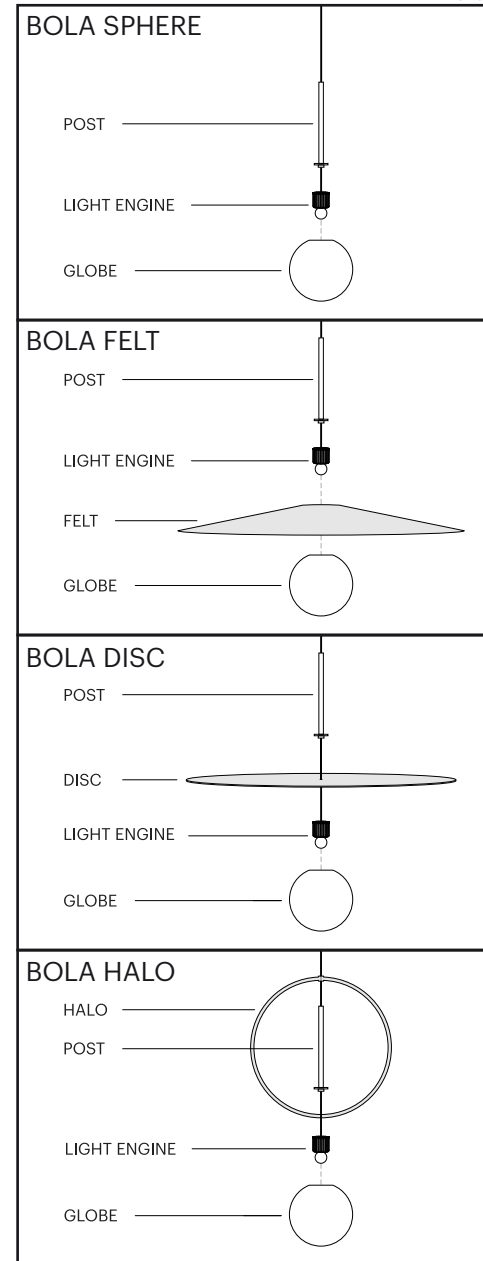
2 Peel protective later from VHB tape (included) and secure DRIVER to MOUNT BRACKET.



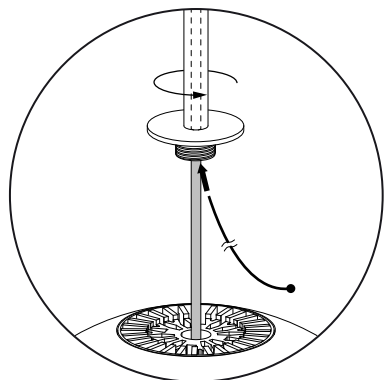
3 Secure MOUNT BRACKET to junction box using appropriate anchoring hardware (included).



4 Weave power cord from LIGHT ENGINE through all necessary parts based on lamp model. FIG. 01

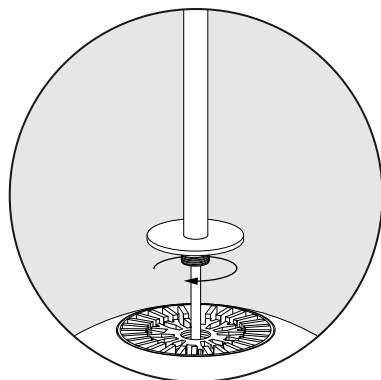


5 THIS STEP IS ONLY FOR BOLA DISC 32 OR BOLA FELT 32,42,52. FOR OTHER LAMP VARIANTS, MOVE ON TO STEP 6.

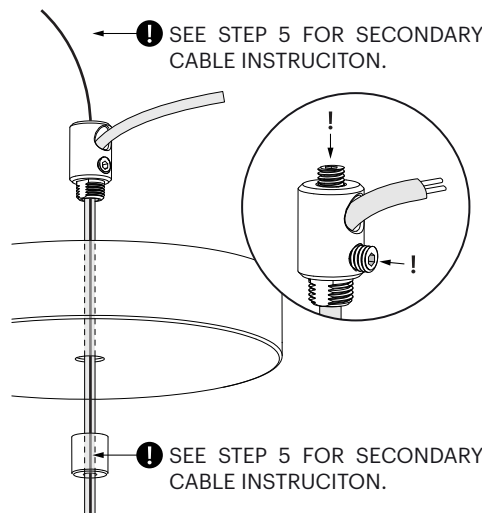


Feed Steel cable (included) through the POST until the crimped ball end bottoms out.

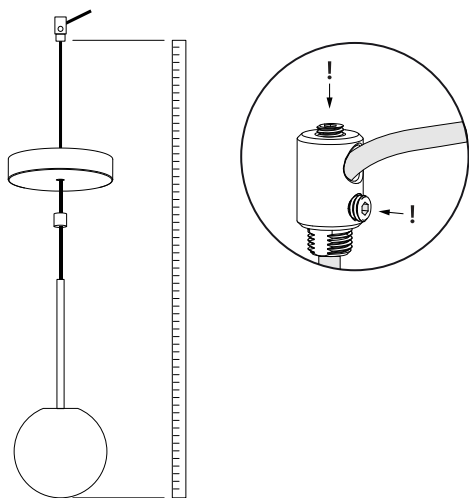
6 Thread POST onto LIGHT ENGINE. (NOTE! For Bola Disc; DISC will be trapped in between POST and LIGHT ENGINE. See FIG. 01).



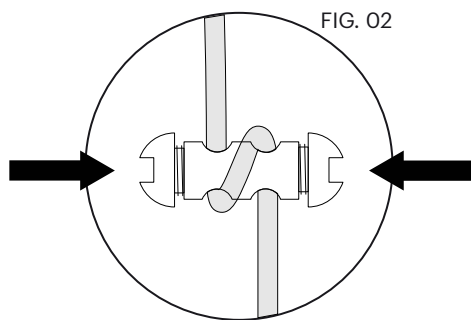
7 Unthread both set screws using included hex tool. Weave cable(s) through CANOPY NUT, CANOPY, AND STRAIN RELIEF.



8 Set desired lamp height and secure STRAIN RELIEF A (NOTE: thread both set screws using included hex tool).

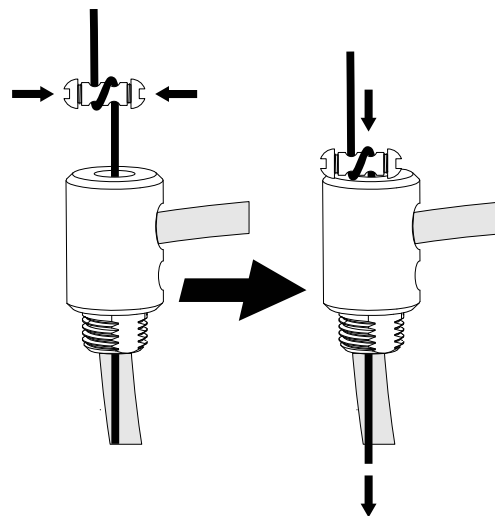


If employing SECONDARY CABLE, add included STRAIN RELIEF B now. Feed cable through both holes and tighten screws as demonstrated in Figure 02.

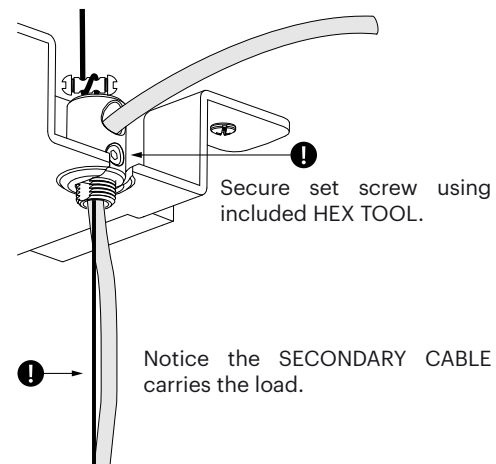


The location of STRAIN RELIEF B will determine the lamp's hang height.

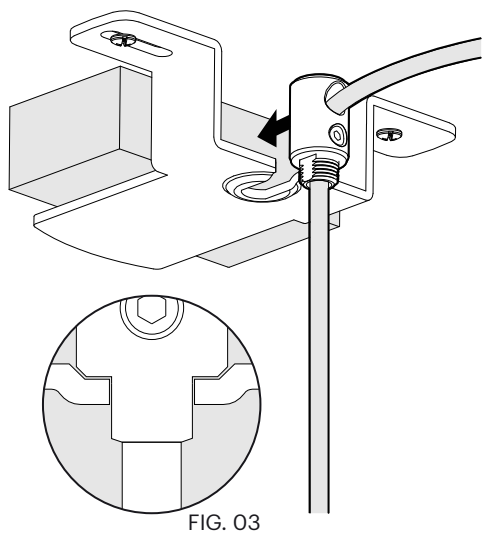
Pull SECONDARY CABLE down through STRAIN RELIEF A until it stops.



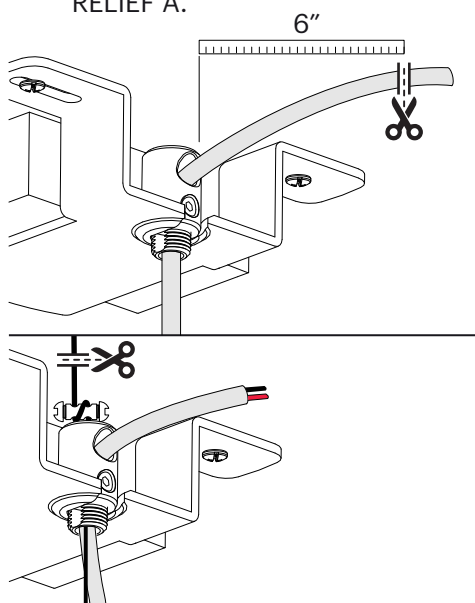
Place assembly onto the BRACKET and adjust the FABRIC POWER CABLE until desired appearance is reached.



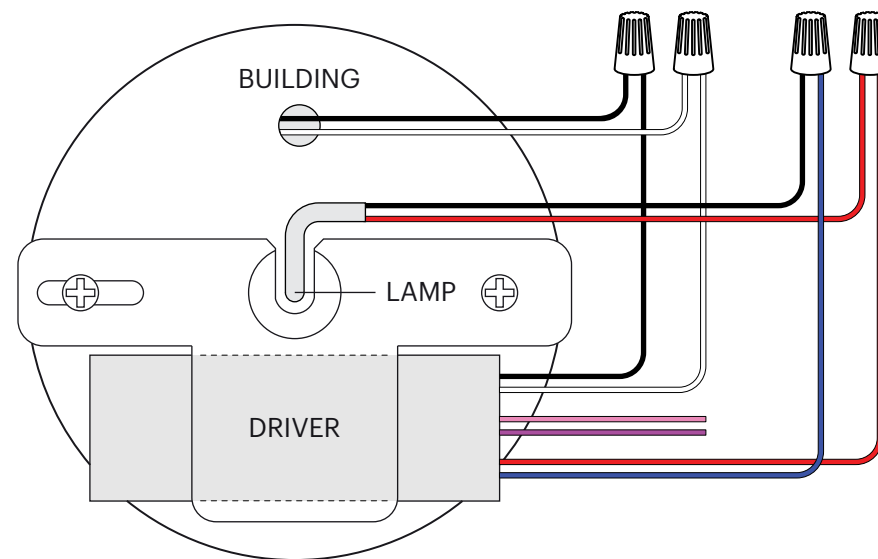
9 Set STRAIN RELIEF A onto MOUNT BRACKET ensuring parts nest properly (see Figure 03).



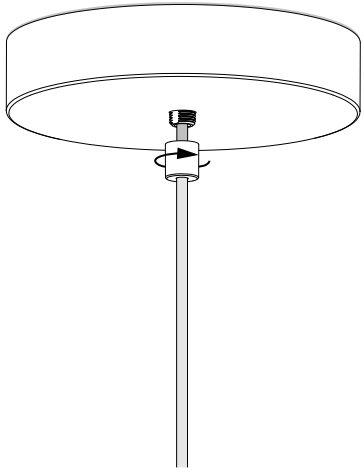
10 Trim excess cable(s). For the power cable, cut 6" from STRAIN RELIEF A.



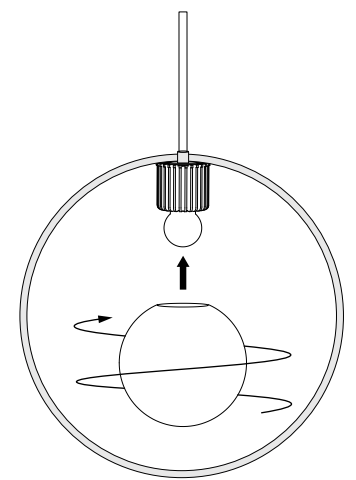
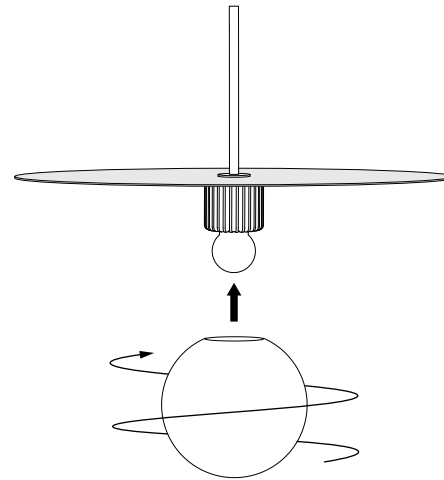
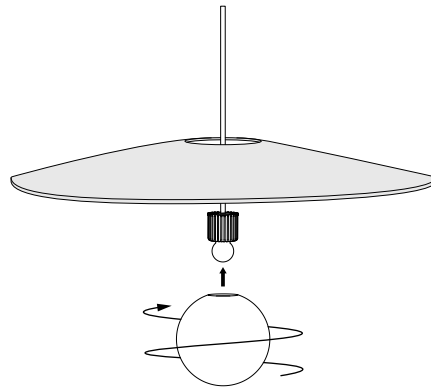
11 Wire DRIVER to BUILDING (black to black/white to white). Wire DRIVER to LAMP (black to blue/red to red). [Pink(-) and purple(+) wires are intended for use in 0-10V dimming installations.]



12 Once wiring is complete and lamp has been tested, secure CANOPY COVER with CANOPY NUT.



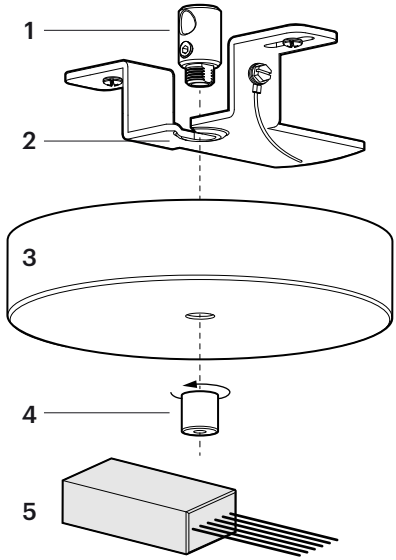
13 Carefully thread GLOBE DIFFUSER onto the LIGHT ENGINE. (Note: the FELT SHADE must be placed onto lamp before adding the GLOBE DIFFUSER).



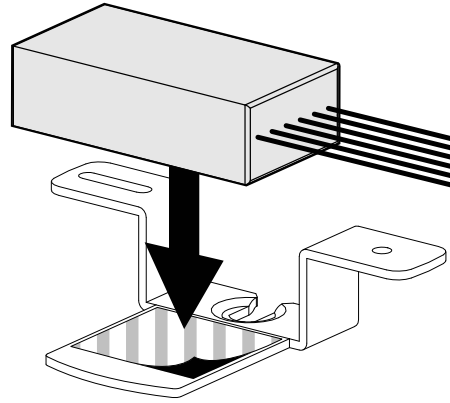
Bola Sphere Pendant 24

Installation Guide

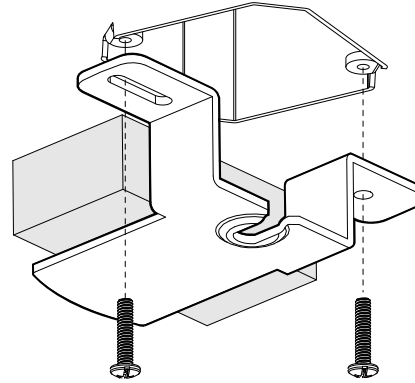
1 Remove the contents of the canopy box and separate key items.



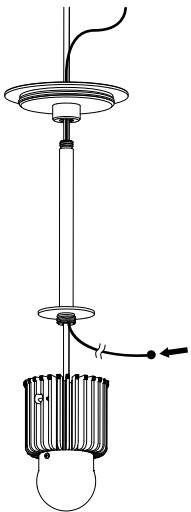
2 Peel protective later from VHB tape (included) and secure DRIVER to MOUNT BRACKET.



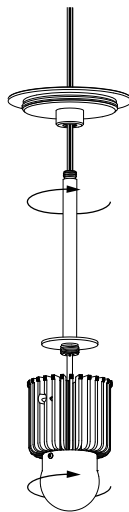
3 Secure MOUNT BRACKET to junction box using appropriate anchoring hardware (included).



4 Weave POWER CORD and STEEL CABLE from LIGHT ENGINE through all necessary parts as demonstrated in Figure 01.



5 Thread LIGHT ENGINE onto INNER POST. Thread GLOBE COUPLER onto INNER POST.



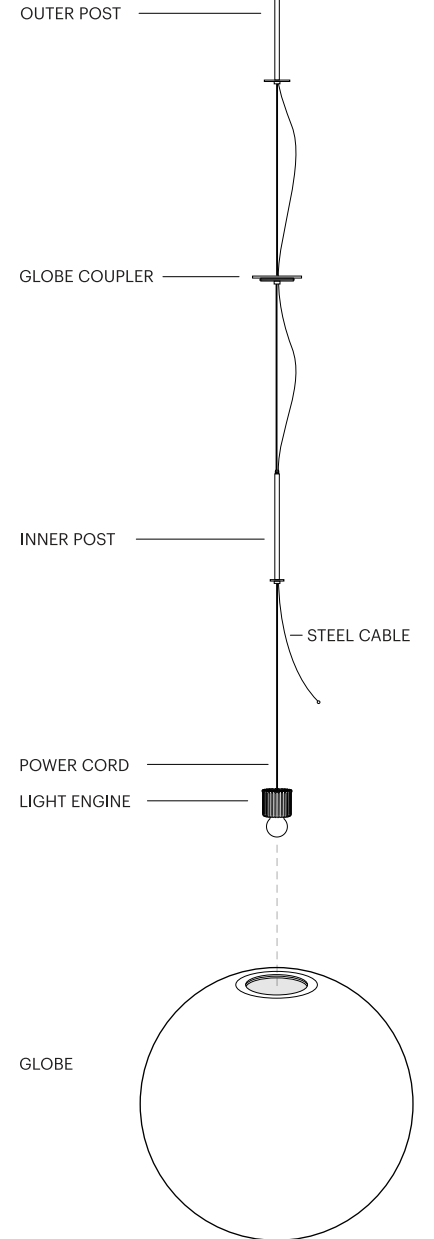
6 Thread OUTER POST onto GLOBE COUPLER, completing the LAMP SUBASSEMBLY.



FIG. 02
LAMP SUBASSEMBLY

BOLA SPHERE 24

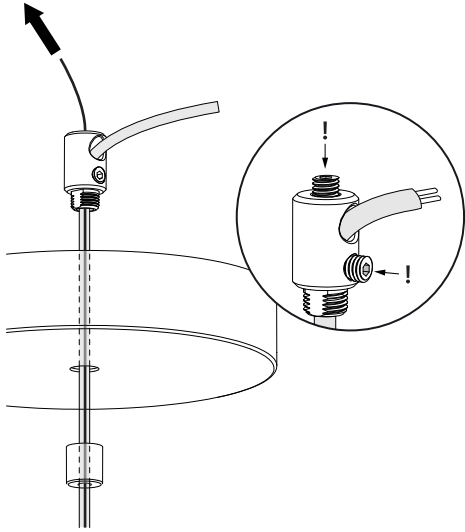
FIG. 01



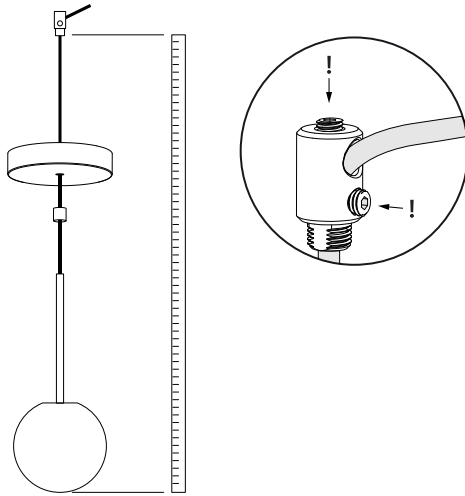
Bola Sphere Pendant 24

Installation Guide

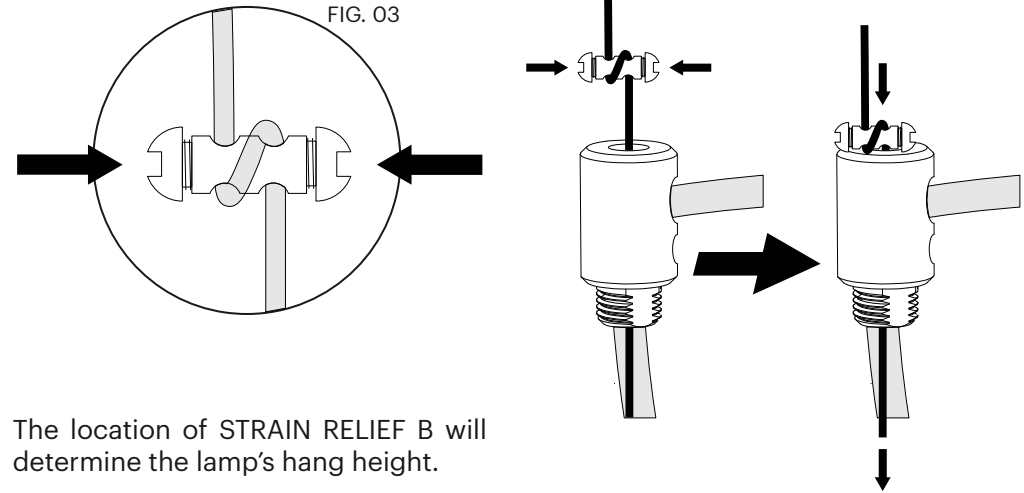
7 Unthread both set screws using included hex tool. Weave cable(s) through [CANOPY NUT, CANOPY, AND STRAIN RELIEF A].



Select desired lamp hang height.

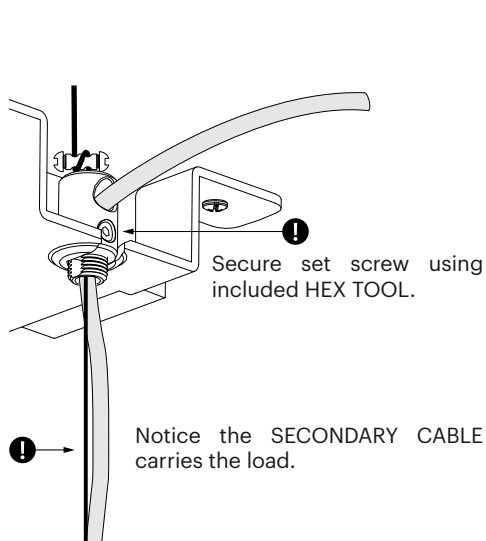


Set desired lamp height by securing STRAIN RELIEF B onto STEEL CABLE (Feed cable through both holes and tighten screws as demonstrated in Figure 03). Pull STEEL CABLE down through STRAIN RELIEF A until it stops.

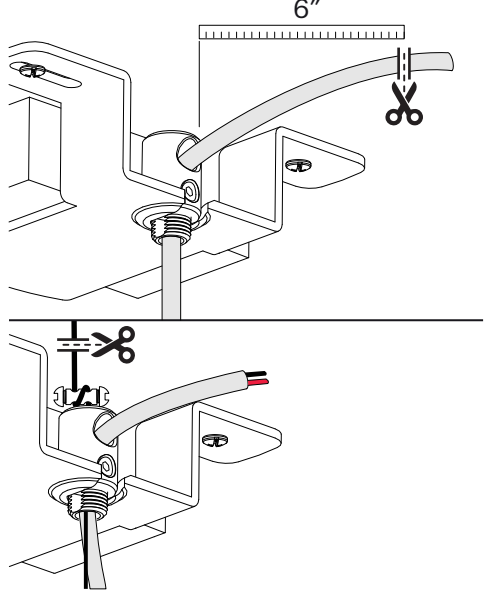


The location of STRAIN RELIEF B will determine the lamp's hang height.

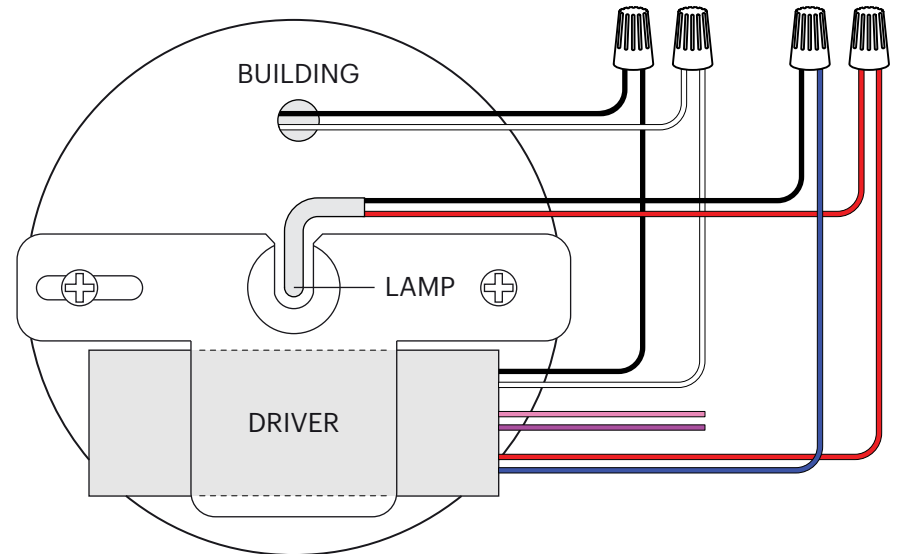
8 Place assembly onto the BRACKET and adjust the FABRIC POWER CABLE until desired appearance is reached.



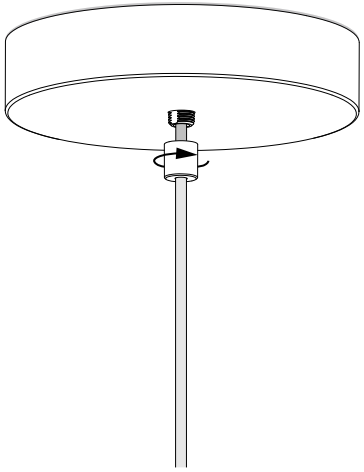
9 Trim excess cable(s). For the power cable, cut 6" from STRAIN RELIEF A.



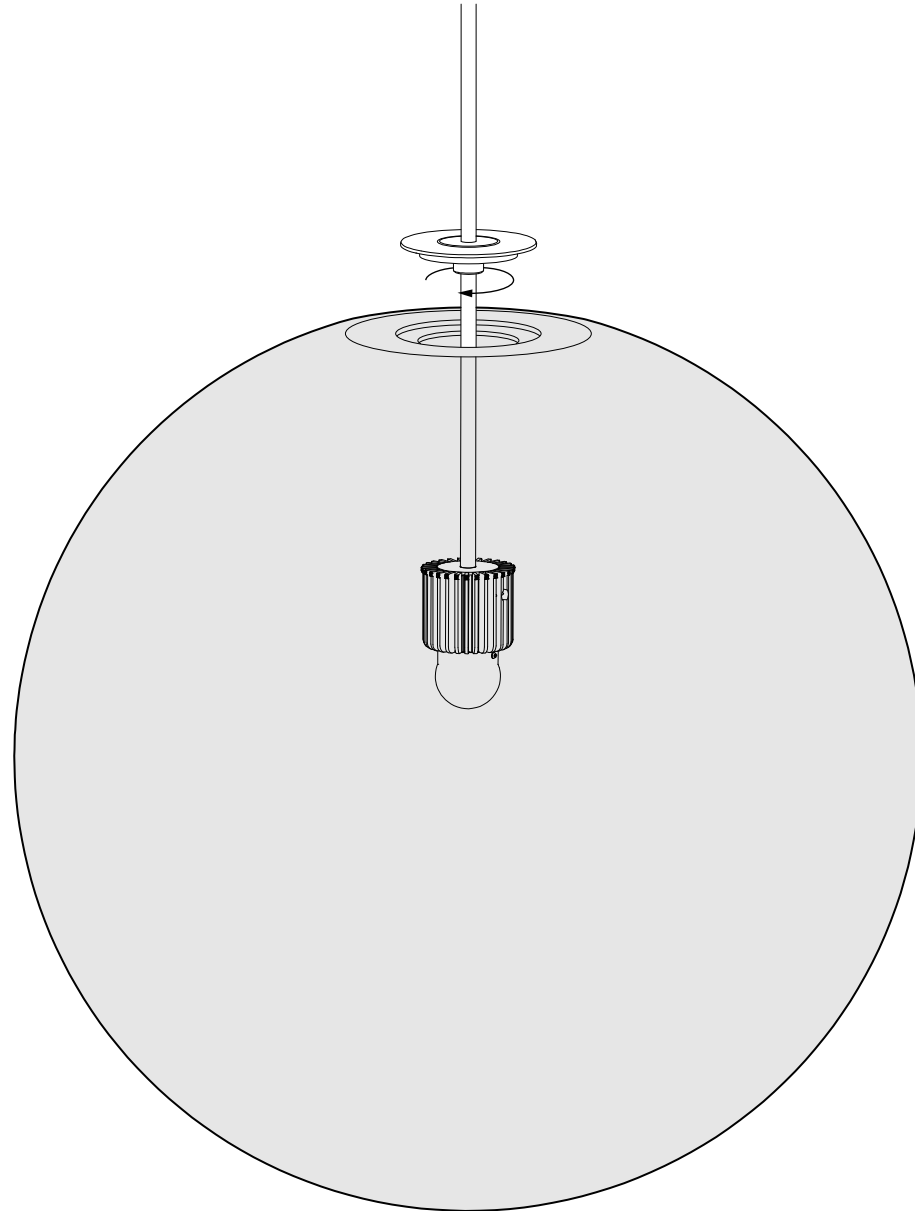
10 Wire DRIVER to BUILDING (black to black/white to white). Wire DRIVER to LAMP (black to blue/red to red). [Pink(-) and purple(+) wires are intended for use in 0-10V dimming installations.]



- 11** Once wiring is complete and lamp has been tested, secure CANOPY COVER with CANOPY NUT.



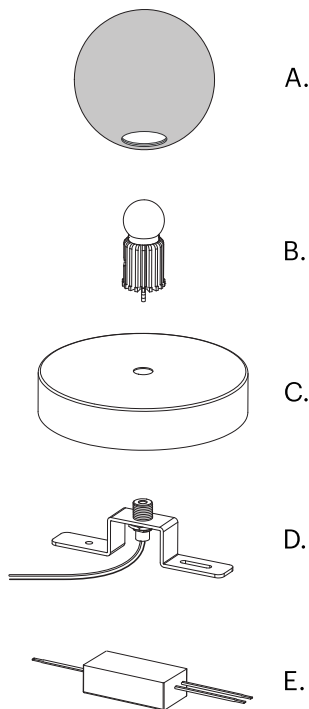
- 13** Carefully thread GLOBE DIFUSER onto the LAMP SUBASSEMBLY (see step 6: Fig. 02) to complete installation.





CONTENTS

- A. GLOBE DIFFUSER
- B. LIGHT ENGINE
- C. CANOPY
- D. MOUNT BRACKET
- E. DRIVER



SPECIFICATIONS

HIGH-OUTPUT CHIP ON BOARD
POWER CONSUMPTION: 6W(4",5"), 12W(6"), 20W(8",10",12")
COLOR TEMP: 2700-1800K WARM DIM
LUMINOSITY: 290LM(4",5"), 800LM(6"), 1625LM(8",10",12")



CARE INSTRUCTIONS

WIPE LAMP WITH SOFT CLOTH. AVOID AMMONIA BASED CLEANERS.

DE: INHALT

- A. KUGELDIFFUSOR
- B. LICHTMOTOR
- C. ÜBERDACHUNG
- D. MONTAGEHALTERUNG
- E. FAHRER

SPEZIFIKATIONEN

HOCHLEISTUNGSCHIP AN BORD
STROMVERBRAUCH: 6 W (4 ZOLL, 5 ZOLL), 12 W (6 ZOLL), 20 W
(8 ZOLL, 10 ZOLL, 12 ZOLL)
FARBTEMPERATUR: 2700-1800K WARM DIM
LEUCHTKRAFT: 290LM (4",5"), 800LM (6"), 1625LM (8",10",12")



PFLEGEHINWEISE

WISCHEN SIE DIE LAMPE MIT EINEM WEICHEN TUCH AB. VERMEIDEN SIE
REINIGUNGSMITTEL AUF AMMONIAKBASIS.

FR: CONTENU

- A. GLOBE DIFFUSEUR
- B. MOTEUR LUMINEUX
- C. AUVENT
- D. SUPPORT DE MONTAGE
- E. CONDUCTEUR

CARACTÉRISTIQUES

PUCE À HAUT RENDEMENT INTÉGRÉE
CONSOMMATION ÉLECTRIQUE : 6W(4",5"), 12W(6"),
20W(8",10",12")
TEMPÉRATURE DE COULEUR: 2700-1800K WARM DIM
LUMINOSITÉ : 290LM(4",5"), 800LM(6"), 1625LM(8",10",12")



ISTRUZIONI D'ENTRETIEN

ESSUYER LA LAMPE AVEC UN CHIFFON DOUX. ÉVITEZ LES NETTOYANTS À BASE D'AMMONIAC.

IT: CONTENUTI

- A. DIFFUSORE GLOBO
- B. MOTORE LEGGERO
- C. TETTOIA
- D. STAFFA DI MONTAGGIO
- E. CONDUCENTE

SPECIFICHE

CHIP A BORDO AD ALTO RENDIMENTO
CONSUMO ENERGETICO: 6W(4",5"), 12W(6"), 20W(8",10",12")
TEMP. COLORE: 2700-1800K CALDO DIM
LUMINOSITÀ: 290LM(4",5"), 800LM(6"), 1625LM(8",10",12")



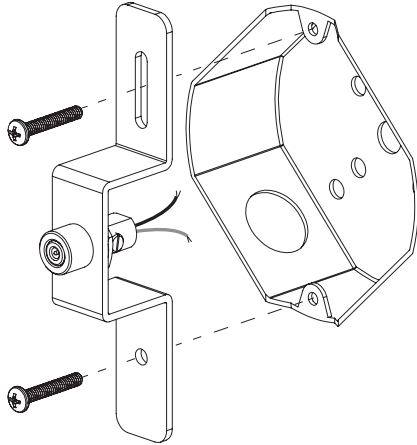
ISTRUZIONI PER LA CURA

PULIRE LA LAMPADA CON UN PANNINO MORBIDO. EVITA I DETERGENTI A BASE DI AMMONIACA.

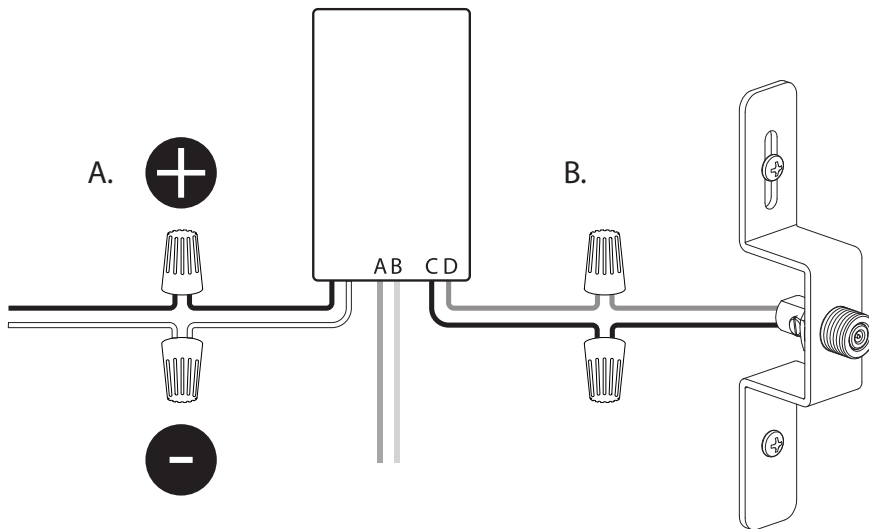
Bola Sphere Flush Installation Guide

PAGE 2/3

1.



2.



EN: ASSEMBLY

1. SECURE MOUNT BRACKET TO JUNCTION BOX OR CEILING.
2. A. WIRE DRIVER TO BUILDING (US: WHITE TO WHITE / BLACK TO BLACK)(EU: + TO BLACK / - TO WHITE)
- B. WIRE DRIVER TO LAMP (C-BLUE TO BLACK / D-RED TO RED)

NOTE! PURPLE (A) AND GREY (B) WIRES ARE ONLY USED IN 0-10V INSTALLATIONS.

DE: MONTAGE

1. BEFESTIGEN SIE DIE HALTERUNG AM ANSCHLUSSKASTEN ODER AN DER DECKE.
2. A. TREIBER ZUM GEBÄUDE VERKABELN (USA: WEIß ZU WEIß / SCHWARZ ZU SCHWARZ)
(EU: + ZU SCHWARZ / - ZU WEIß)
- B. DRAHTTREIBER ZUR LAMPE (C-BLAU ZU SCHWARZ / D-ROT ZU ROT)

NOTIZ! LILA (A) UND GRAUE (B) DRÄHTE WERDEN NUR IN 0-10-V-INSTALLATIONEN VERWENDET.

FR: ASSEMBLÉ

1. FIXEZ LE SUPPORT DE MONTAGE À LA BOÎTE DE JONCTION OU AU PLAFOND.
2. A. WIRE DRIVER TO BUILDING (USA : BLANC À BLANC / NOIR À NOIR)
(EU : + À NOIR / - À BLANC)
- CONDUCTEUR DE B. WIRE À LA LAMPE (C-BLEU AU NOIR / D-ROUGE AU ROUGE)

NOTE! LES FILS VIOLET (A) ET GRIS (B) NE SONT UTILISÉS QUE DANS LES INSTALLATIONS 0-10V.

IT: MONTAGGIO

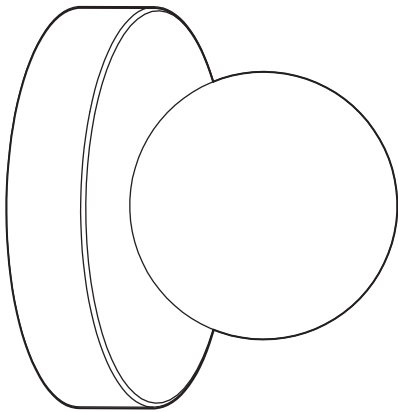
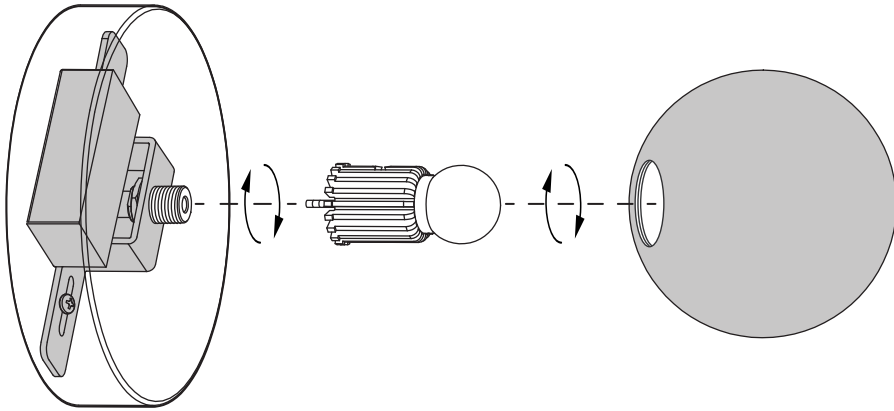
1. FISSARE LA STAFFA DI MONTAGGIO ALLA SCATOLA DI GIUNZIONE O AL SOFFITTO.
2. A. WIRE DRIVER TO BUILDING (USA: BIANCO A BIANCO / NERO A NERO)
(EU: + A NERO / - A BIANCO)
- B. WIRE DRIVER ALLA LAMPADA (C-BLU AL NERO / D-ROSSO AL ROSSO)

NOTA! I FILI VIOLA (A) E GRIGIO (B) VENGONO UTILIZZATI SOLO NELLE INSTALLAZIONI 0-10V.

Bola Sphere Flush Installation Guide

PAGE 3/3

3.



EN: ASSEMBLY

3. ENCLOSE DRIVER WITH CANOPY COVER AND THREAD ON LIGHT ENGINE AND GLOBE DIFFUSER AS DEMONSTRATED.

DE: MONTAGE

3. SCHLIEßEN SIE DEN TREIBER MIT DER BALDACHINABDECKUNG AN UND SCHRAUBEN SIE IHN WIE GEZEIGT AUF DIE LICHTMASCHINE UND DEN KUGELDIFFUSOR.

FR: ASSEMBLÉ

3. ENFERMEZ LE CONDUCTEUR AVEC LA COUVERTURE D'AUVENT ET LE FIL SUR LE MOTEUR LÉGER ET LE DIFFUSEUR DE GLOBE COMME DÉMONTRÉ.

IT: MONTAGGIO

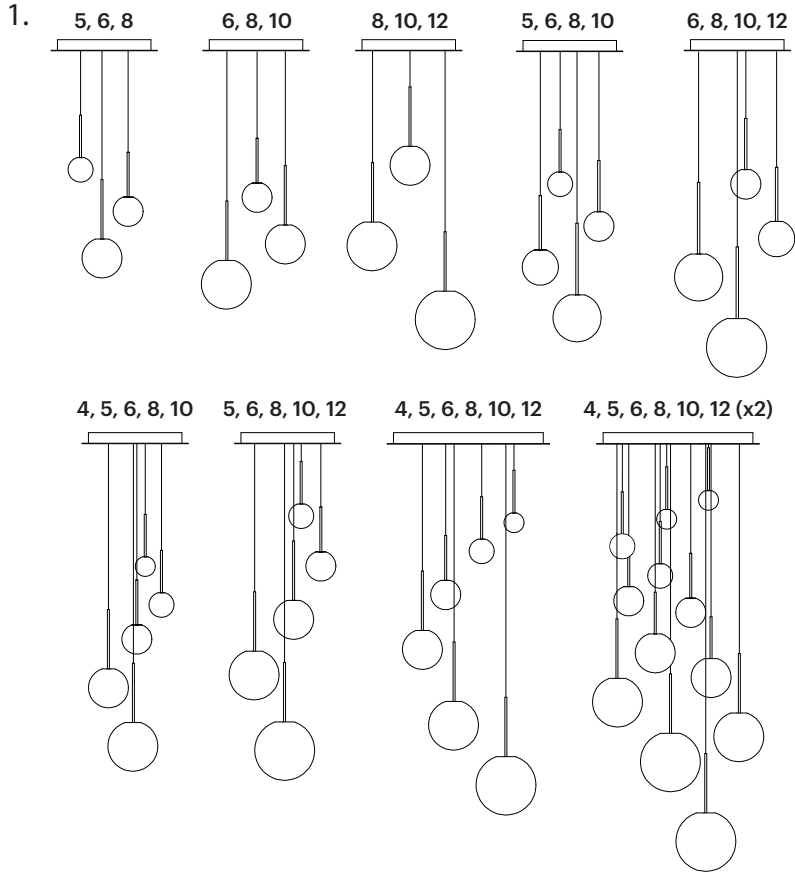
3. ENCLUDERE IL DRIVER CON LA COPERTURA DEL TETTuccio E INFILARE IL MOTORE DELLA LUCE E IL DIFFUSORE DEL GLOBO COME MOSTRATO.

Bola Sphere Chandelier

Installation Guide

PAGE 1/3

SUGESTED CONFIGURATIONS



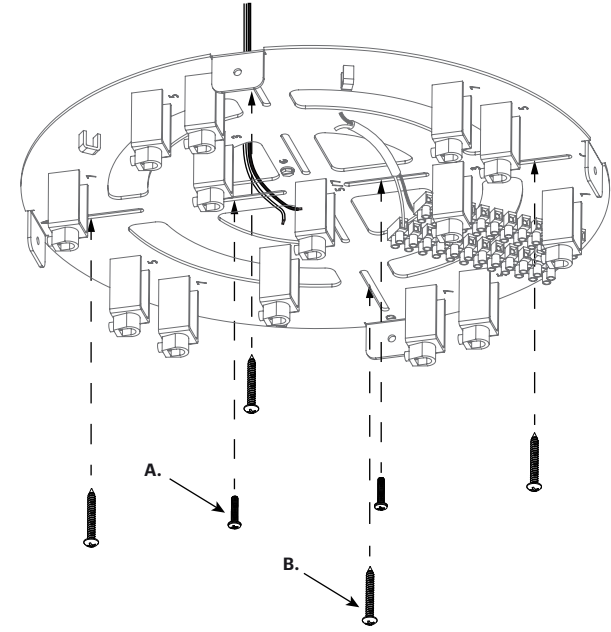
IMPORTANT: WE RECOMMEND FIXTURE BE INSTALLED BY AN ELECTRICIAN. BOLA SPHERE CHANDELIER MUST BE SECURELY ANCHORED TO 150LBS RATED JUNCTION BOX OR MOUNTED TO CEILING STUDS.

CARE INSTRUCTIONS

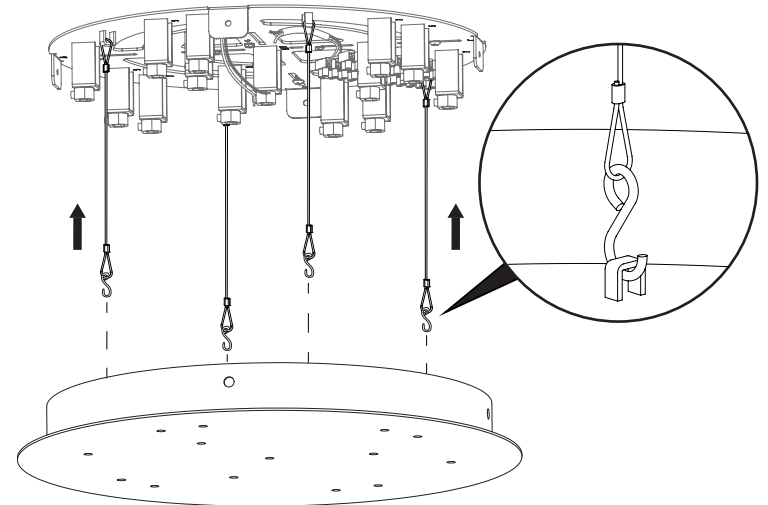
WIPE SHADES WITH SOFT CLOTH

1.A. ATTACH PLATE TO JUNCTION BOX WITH PROVIDED SCREWS. (BE SURE TO ROUTE BUILDING WIRING THROUGH THE MOUNTIN PLATE)

B.FIX MOUNTING PLATE TO CEILING STUDS OR PROPERLY INSTALLED DRYWALL ANCHORS TO ENSURE A SECURE INSTALLATION.



2. ALIGN HOLES ON MOUNTING PLATE WITH CORRESPONDING HOLES ON CANOPY COVER THEN SECURE THE CABLE HOOKS TO THE MOUNTS IN ORDER TO SUSPEND CANOPY COVER.

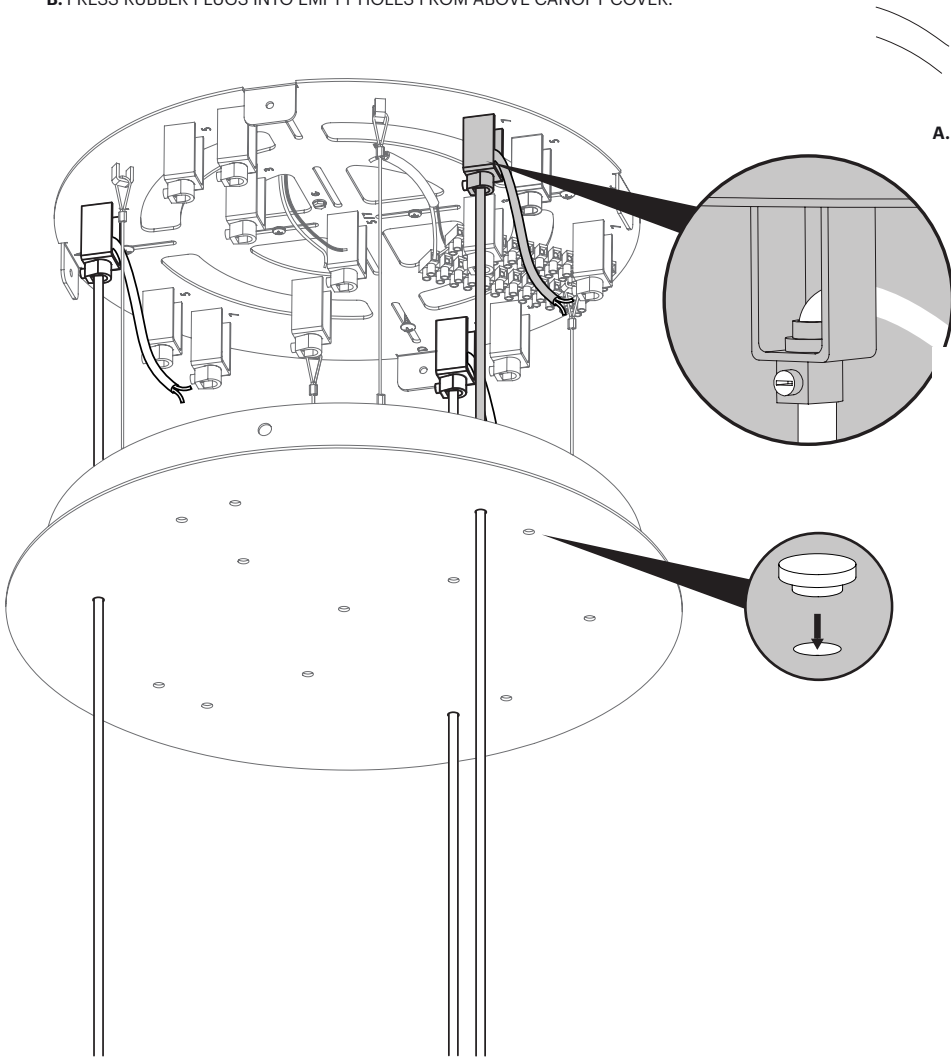


Bola Sphere Chandelier

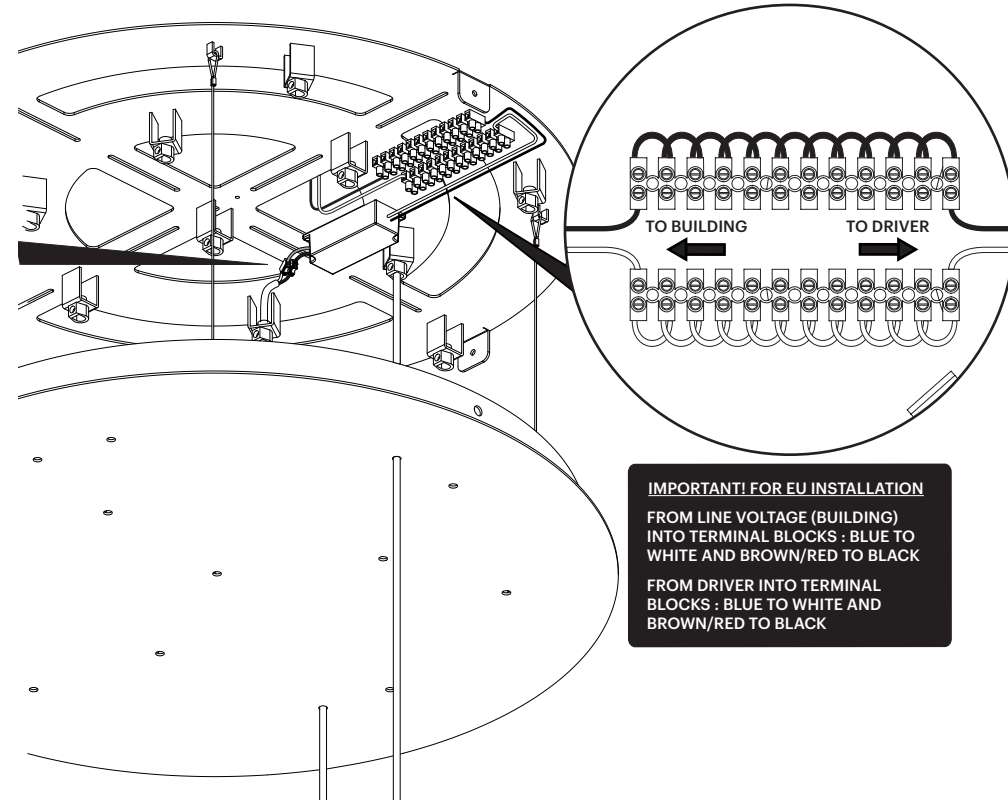
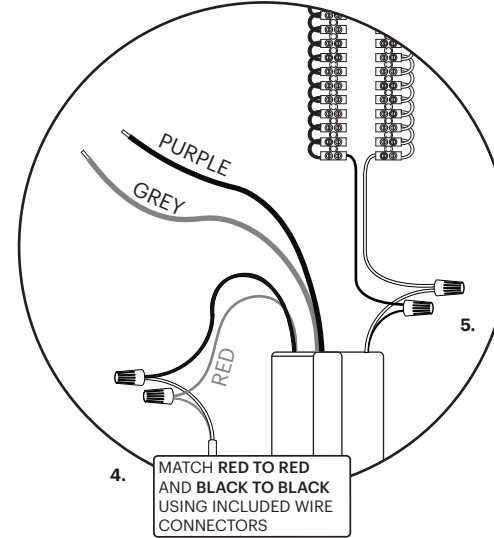
Installation Guide

PAGE 2/3

3. **A.** USING SUGGESTED HANGING CONFIGURATION AS A GUIDE, FEED PENDANT CORDS THROUGH ASSIGNED HOLES IN CANOPY COVER AND STRAIN RELIEFS. PULL PENDANTS TO DESIRED HEIGHT AND USE #2 FLATHEAD SCREWDRIVER TO SECURE CORD.
- B.** PRESS RUBBER PLUGS INTO EMPTY HOLES FROM ABOVE CANOPY COVER.



4. CONNECT FIXTURE WIRING TO 2 POLE CONNECTOR ON DC OUTPUT SIDE OF TRANSFORMER AS SHOWN. **(NOTE! ONE TRANSFORMER PER LAMP!)**
5. CONNECT AC INPUT SIDE OF TRANSFORMER TO TERMINAL BLOCKS AS SHOWN AND SECURE WITH A #2 FLATHEAD SCREWDRIVER.



IMPORTANT! FOR EU INSTALLATION
 FROM LINE VOLTAGE (BUILDING)
 INTO TERMINAL BLOCKS : BLUE TO WHITE
 AND BROWN/RED TO BLACK
 FROM DRIVER INTO TERMINAL
 BLOCKS : BLUE TO WHITE AND
 BROWN/RED TO BLACK

Bola Sphere Chandelier

Installation Guide

6. ENSURE ALL CABLES AND CORDS ARE TUCKED WITHIN CANOPY COVER. LIFT COVER UPWARD AND SECURE TO MOUNTING PLATE WITH PROVIDED CANOPY HARDWARE.

