

**Pablo®**

# SOLIS

**ASSEMBLY & INSTALLATION INSTRUCTIONS**

## **TABLE OF CONTENTS**

pg. 2-5.....	SOLIS
pg. 6-9.....	SOLIS CHANDELIER

---

**Pablo®**

# SOLIS

## ASSEMBLY & INSTALLATION INSTRUCTIONS

INFO@PABLODESIGNS.COM  
888 MARIN STREET  
SAN FRANCISCO, CA  
94124

PABLODESIGNS.COM



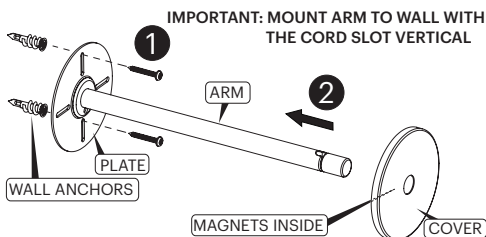
# Pablo® SOLIS

1. ATTACH ARM ASSEMBLY TO WALL
2. SLIDE COVER ONTO ARM
3. SLIP CORD INTO ARM SLOT FROM BELOW
4. TIGHTEN CORD CLAMP KNOB
5. ROUTE CORD AND DIMMER THROUGH SOLIS (IMPORTANT: USE THE CORD GUIDE TO KEEP CORD AWAY FROM BULB)

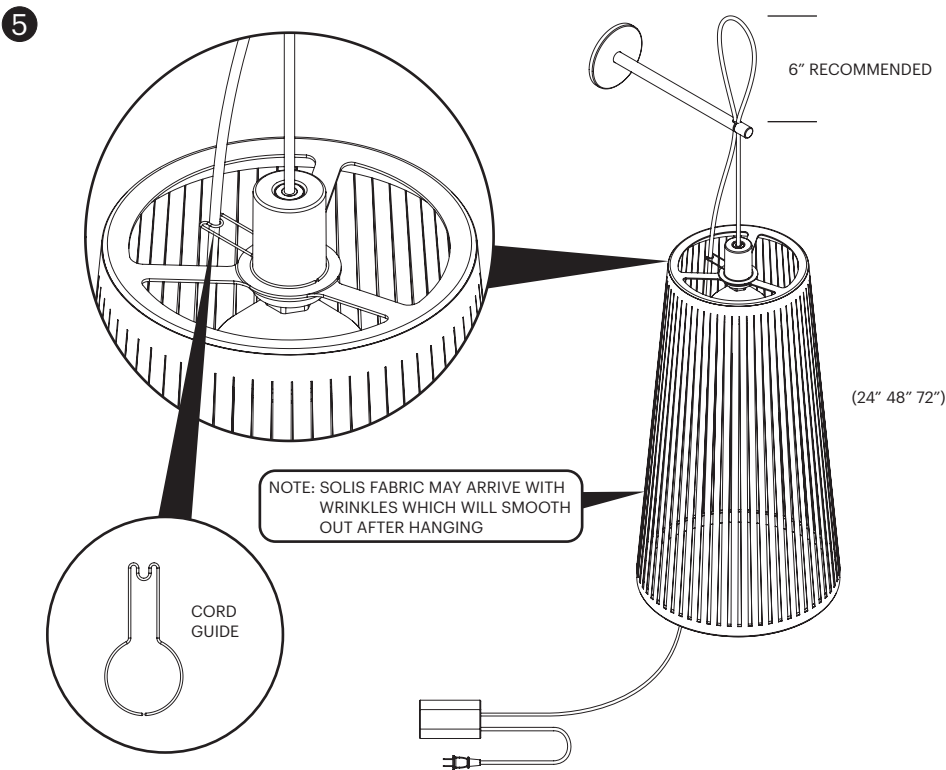
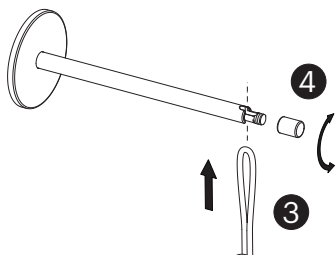
**BULB TYPE**  
11PAR30SNDIM/927SP15

**LENGTH OF CORD SUPPLIED**  
16FT (488CM)

**CARE INSTRUCTIONS**  
WIPE CLEAN WITH A SOFT DAMP CLOTH.  
AVOID AMMONIA-BASED CLEANERS.



NOTE : WALL ANCHORS ARE SUPPLIED WITH SOLIS.  
USE ONLY IF APPROPRIATE FOR YOUR WALL TYPE.

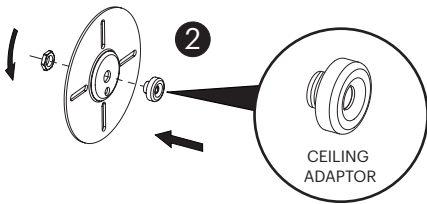
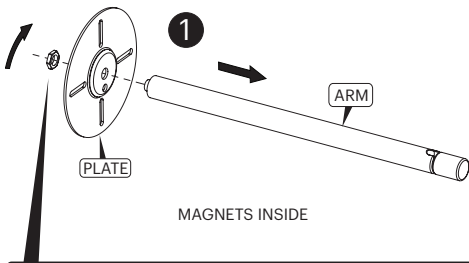


# Pablo® SOLIS

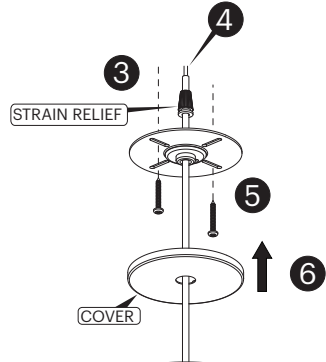
TO CONVERT FROM WALL MOUNT TO CEILING MOUNT:

1. REMOVE ARM FROM PLATE
2. ATTACH CEILING ADAPTOR TO PLATE
3. ROUTE CORD THROUGH COVER AND PLATE AND THEN SET THE CORD STRAIN RELIEF AT THE DESIRED HEIGHT
4. CUT CORD AND CONNECT TO BUILDING WIRING
5. ATTACH MOUNTING PLATE TO JUNCTION BOX
6. SLIDE COVER UP TO CEILING

**NOTE: BEFORE CUTTING, WRAP CORD WITH ELECTRICAL TAPE TO PREVENT THE FABRIC SLEEVE FROM FRAYING**



**IMPORTANT: WE RECOMMEND CEILING MOUNTING OPTION BE INSTALLED BY AN ELECTRICIAN**



NOTE: SOLIS FABRIC MAY ARRIVE WITH WRINKLES WHICH WILL SMOOTH OUT AFTER HANGING

# Pablo® SOLIS

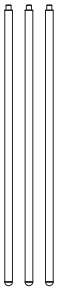
1. ASSEMBLE ALL LEG SETS TOGETHER FIRST AND THREAD THEM INTO THE UPPER BRACKET MAKING SURE THEY ARE FULLY TIGHTENED
2. REMOVE LAMP SOCKET ASSEMBLY BY UNSCREWING BULB AND CHECK RING
3. GENTLY POSITION AND LOWER THE UPPER LAMP ASSEMBLY OVER THE TRIPOD BASE AND SECURE THE LAMP SOCKET TO THE UPPER BRACKET OF TRIPOD BASE AND SECURE 75W PAR 30 NSP BULB IN PLACE
4. LINE UP CLIPS WITH LEGS AND PUSH EACH LEG INTO CORRESPONDING CLIP AS SHOWN

## 24"

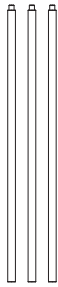
1X  
UPPER  
TRIPOD  
BRACKET



3X  
LOWER  
LEGS



3X  
LOWER  
LEGS



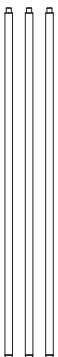
FOOT

## 48"

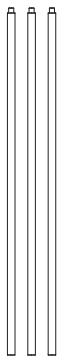
1X  
UPPER  
TRIPOD  
BRACKET



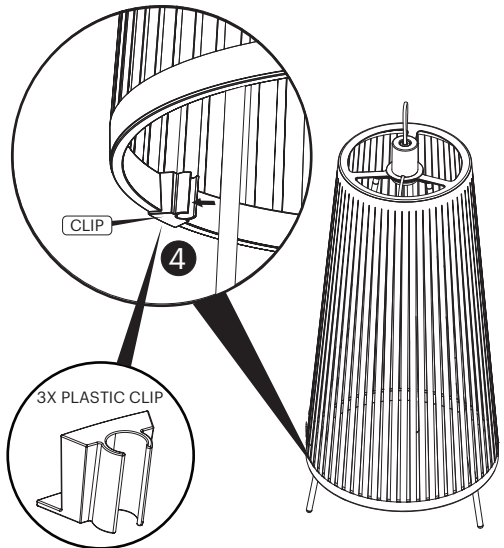
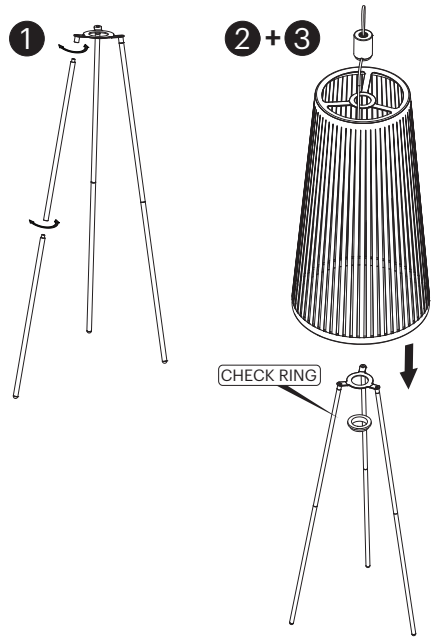
3X  
LOWER  
LEGS



6X  
LOWER  
LEGS



FOOT



Pablo®

# SOLIS

# CHANDELIER

## 120V ASSEMBLY & INSTALLATION INSTRUCTIONS

INFO@PABLODESIGNS.COM  
888 MARIN STREET  
SAN FRANCISCO, CA  
94124

PABLODESIGNS.COM

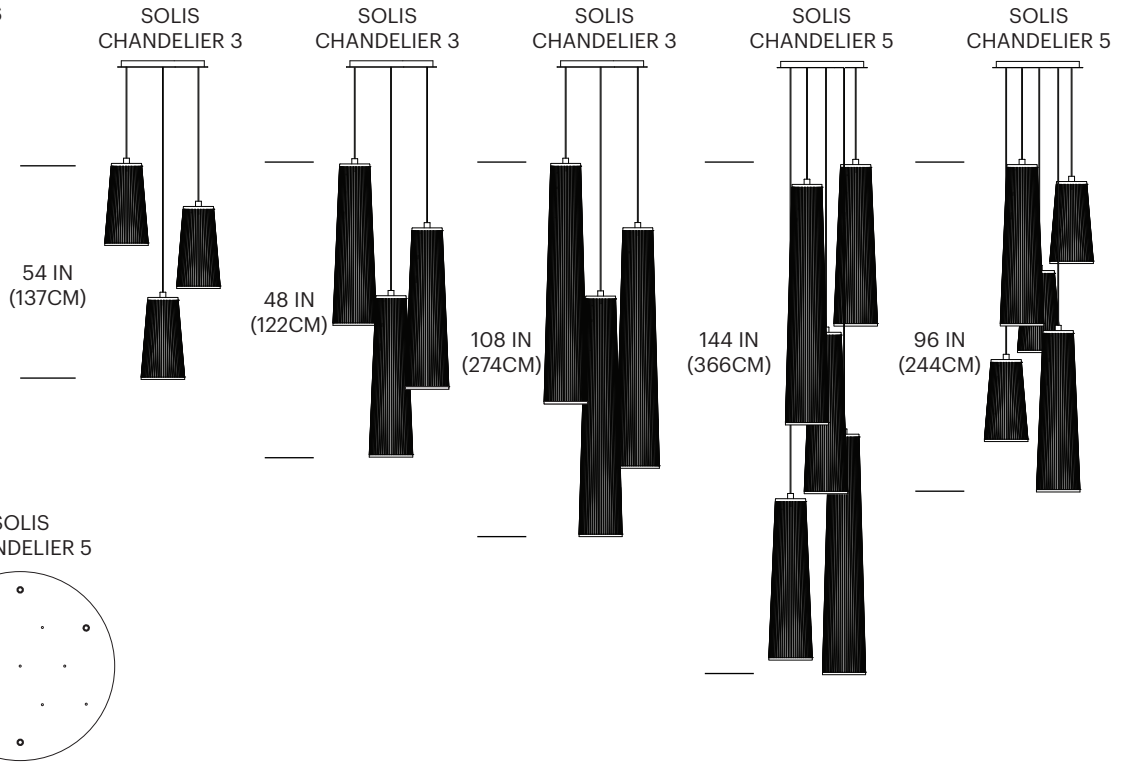


# SOLIS CHANDELIER

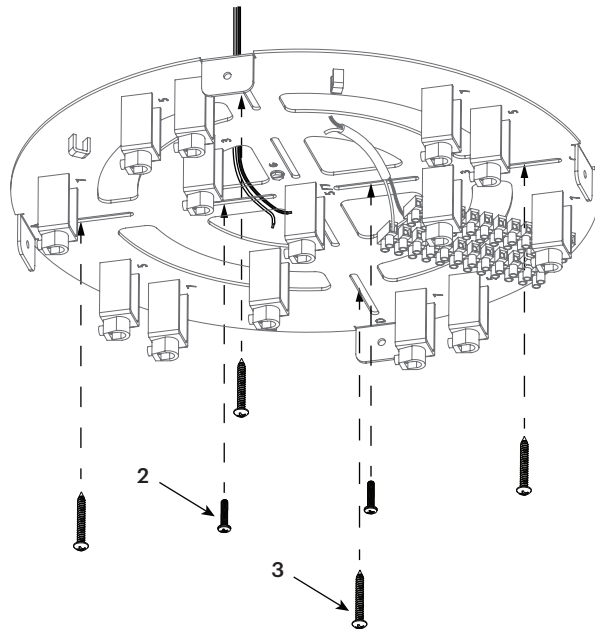
**IMPORTANT: WE RECOMMEND FIXTURE BE INSTALLED BY AN ELECTRICIAN. SOLIS CHANDELIER MUST BE SECURELY ANCHORED TO 150LBS RATED JUNCTION BOX OR MOUNTED TO CEILING STUDS.**

## SUGGESTED HANGING CONFIGURATIONS

1. DETERMINE APPROPRIATE HEIGHT ABOVE SURFACE FOR LOWEST LAMP
2. ADJACENT LAMPS MUST BE STAGGERED AT THEIR FULL HEIGHT.



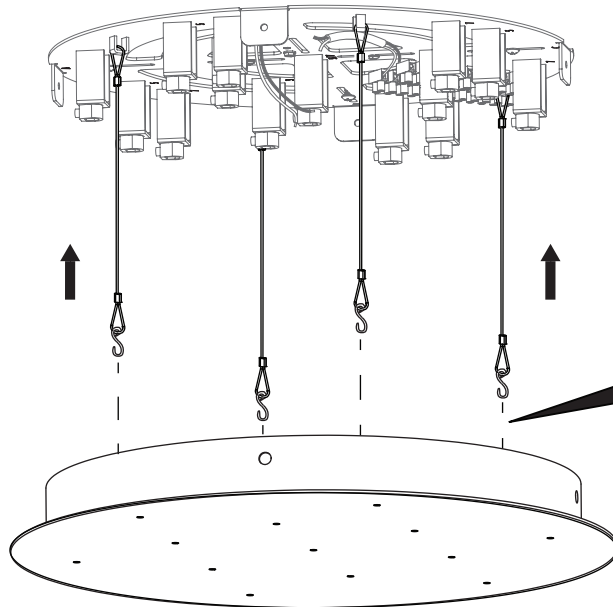
1. ROUTE BUILDING WIRING THROUGH MOUNTING PLATE



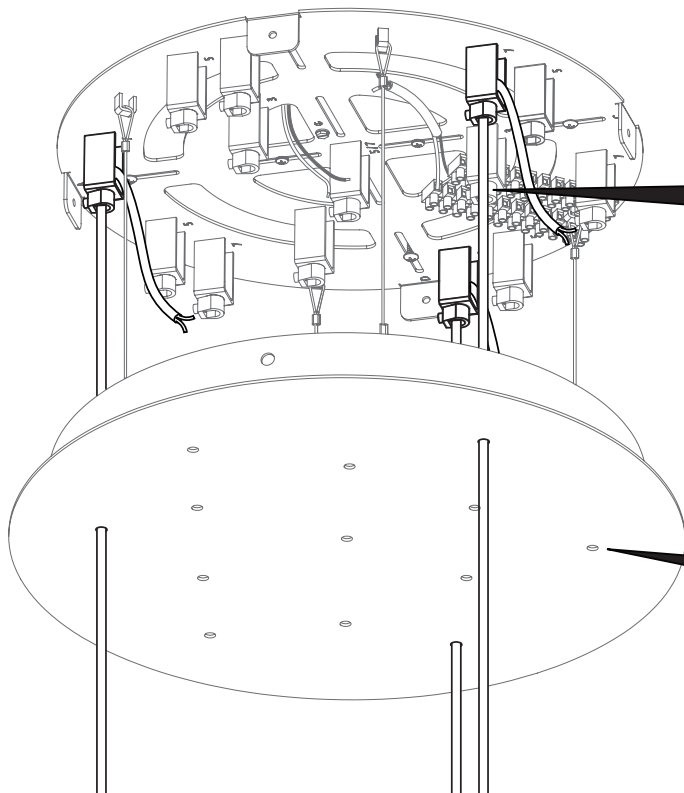
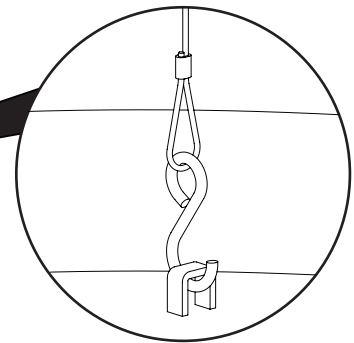
**NOTE: INSTALLATION REQUIRES STANDARD PHILLIPS HEAD SCREW DRIVER AND #2 FLAT HEAD SCREW DRIVER**

# SOLIS CHANDELIER

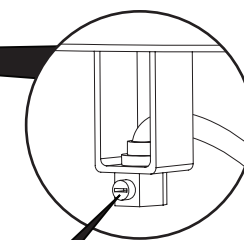
- 4** ALIGN HOLES ON MOUNTING PLATE WITH CORRESPONDING HOLES ON CANOPY COVER



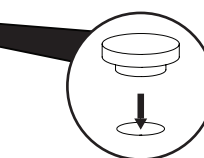
- 5** ATTACH CABLE HOOKS TO CABLE MOUNTS ON CANOPY COVER TO SUPPORT CANOPY COVER DURING INSTALLATION. CABLE HOOKS MUST REMAIN ATTACHED TO CANOPY COVER TO ENSURE SAFE INSTALLATION



- 6** USING THE SUGGESTED HANGING CONFIGURATION AS A GUIDE, FEED PENDANT CORDS THROUGH ASSIGNED HOLES IN CANOPY COVER AND STRAIN RELIEFS



- 7** PULL PENDANTS TO DESIRED HEIGHT REFERENCING SUGGESTED HANGING CONFIGURATIONS. USE #2 FLAT HEAD SCREW DRIVER TO SET STRAIN RELIEFS

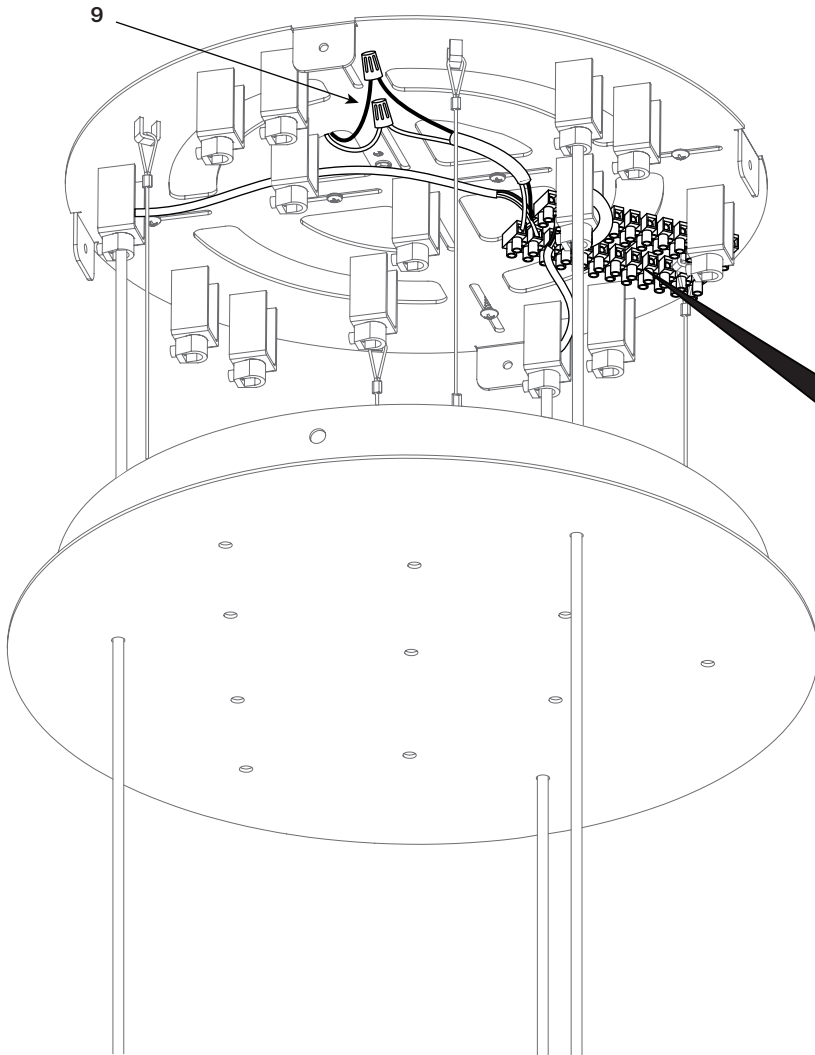


- 8** PRESS RUBBER PLUGS INTO UNUSED HOLES FROM INSIDE OF CANOPY COVER

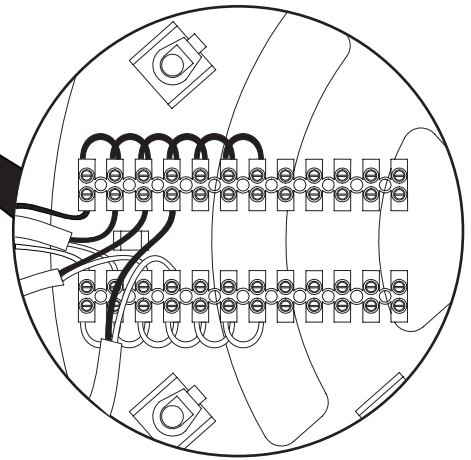
**NOTE: INSTALLATION SHOWN IS FOR SOLIS CHANDELIER 3. FOR SOLIS CHANDELIER 5, FOLLOW THE SAME WIRING PROCESS USING THE HOLE PLACEMENT OUTLINED IN SUGGESTED HANGING CONFIGURATIONS**



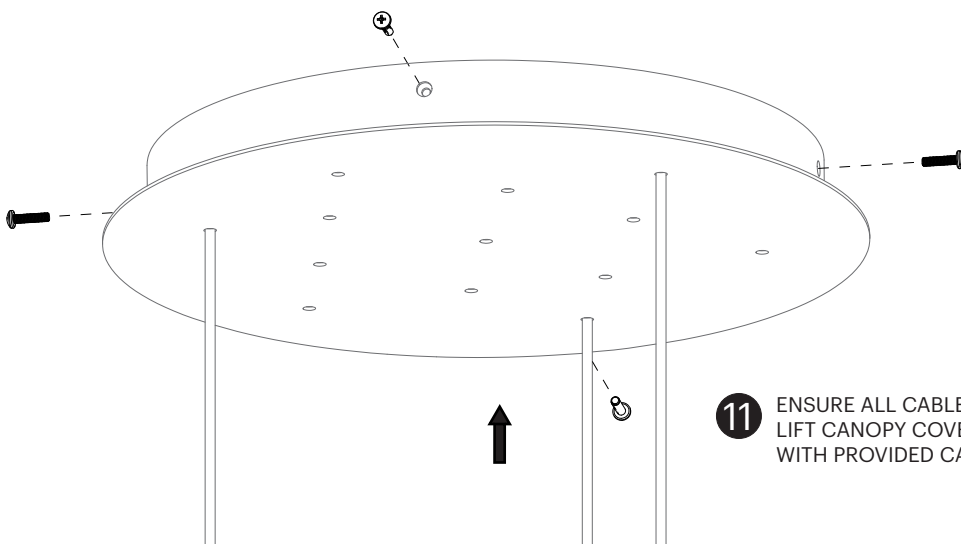
# SOLIS CHANDELIER



**9** CUT CORDS TO REACH 12-PORT TERMINAL BLOCKS, ALLOWING FOR 3" OF EXTRA CORD PAST TERMINAL BLOCKS. STRIP CORDS SO LEAD WIRES ARE EXPOSED, THEN WIRE CORDS TO TERMINAL BLOCKS AS SHOWN AND SECURE WITH #2 FLAT HEAD SCREW DRIVER



**10** CONNECT BUILDING WIRING TO LEAD WIRE USING PROVIDED WIRE NUTS



**11** ENSURE ALL CABLES AND CORDS ARE TUCKED WITHIN CANOPY COVER. LIFT CANOPY COVER UP TO CEILING AND SECURE TO MOUNTING PLATE WITH PROVIDED CANOPY COVER MACHINE SCREWS