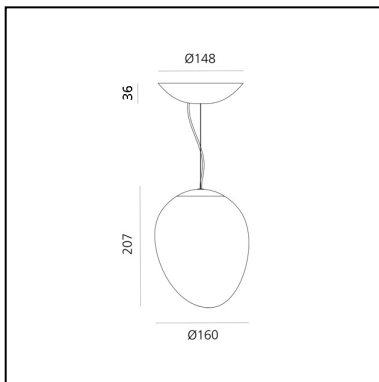


# Stellar Nebula - 16

BIG - Bjarke Ingels Group



IP20   Dimmerable: 



## LUMINAIRE

- Watt: **8W**
- Delivered lumen output: **600lm**
- CCT: **3000K**
- CRI: **90**
- Dimmable Typology: **Push**

## DESCRIPTION

Stellar Nebula is a family of lamps designed by BIG to interpret and enhance the artisanal glass blowing with innovative PVD finishing techniques. Values, roles, and limits of industrial and artisanal production are at the core of this design idea, which aims to find a solution for uniqueness in production.

The shapes of the diffusers are achieved through glass blowing and then freely shaped by master glassmakers to always create unique pieces. Artisanal knowledge and industrial innovation come together in the beauty of the material that enhances the magical interaction between glass and light.

## FEATURES

- Product Code: **0152000A**
- Colour: **Iridescent**
- Installation: **Suspension**
- Material: **Ceiling mount in galvanized steel sheet, mirror-polished aluminum cover rose, steel suspension cable. Lamp body in die-cast aluminum alloy, aesthetic cover in mirror-polished aluminum. Mouth-blown glass diffuser with PVD dichroic treatment, internal support for fixing the diffuser in injection-molded fiberglass-reinforced technopolymer.**
- Series: **Design Collection**
- design by: **BIG - Bjarke Ingels Group**

## DIMENSIONS

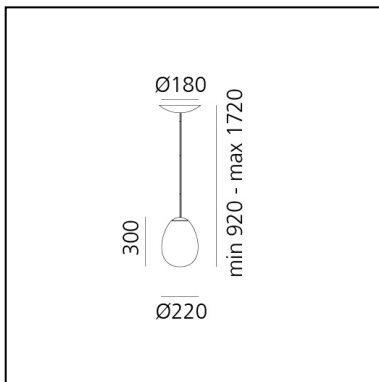
- Diameter: **160 mm**
- Base Diameter: **148 mm**

# Stellar Nebula - 22

BIG - Bjarke Ingels Group



IP20   Dimmerable: 



## LUMINAIRE

- Watt: **11W**
- Delivered lumen output: **486lm**
- CCT: **3000K**
- Efficiency: **47%**
- Efficacy: **44.18lm/W**
- CRI: **90**
- Dimmable Typology: **Push**

## DESCRIPTION

Stellar Nebula is a family of lamps designed by BIG to interpret and enhance the artisanal glass blowing with innovative PVD finishing techniques. Values, roles, and limits of industrial and artisanal production are at the core of this design idea, which aims to find a solution for uniqueness in production.

The shapes of the diffusers are achieved through glass blowing and then freely shaped by master glassmakers to always create unique pieces. Artisanal knowledge and industrial innovation come together in the beauty of the material that enhances the magical interaction between glass and light.

## FEATURES

- Product Code: **0152010A**
- Colour: **Iridescent**
- Installation: **Suspension**
- Material: **Ceiling mount in galvanized steel sheet, mirror-polished aluminum cover rose, steel suspension cable. Lamp body in die-cast aluminum alloy, aesthetic cover in mirror-polished aluminum. Mouth-blown glass diffuser with PVD dichroic treatment, internal support for fixing the diffuser in injection-molded fiberglass-reinforced technopolymer.**
- Series: **Design Collection**
- design by: **BIG - Bjarke Ingels Group**

## DIMENSIONS

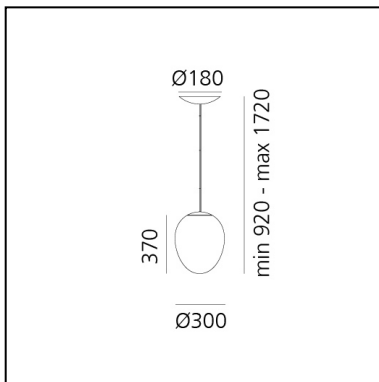
- Height: **300 mm**
- Diameter: **220 mm**

# Stellar Nebula - 30

BIG - Bjarke Ingels Group



IP20   Dimmerable: 



## LUMINAIRE

- Watt: **20W**
- Delivered lumen output: **1890lm**
- CCT: **3000K**
- Efficiency: **83%**
- Efficacy: **94.50lm/W**
- CRI: **90**
- Dimmable Typology: **Push**

## DESCRIPTION

Stellar Nebula is a family of lamps designed by BIG to interpret and enhance the artisanal glass blowing with innovative PVD finishing techniques. Values, roles, and limits of industrial and artisanal production are at the core of this design idea, which aims to find a solution for uniqueness in production.

The shapes of the diffusers are achieved through glass blowing and then freely shaped by master glassmakers to always create unique pieces. Artisanal knowledge and industrial innovation come together in the beauty of the material that enhances the magical interaction between glass and light.

## FEATURES

- Product Code: **0152020A**
- Colour: **Iridescent**
- Installation: **Suspension**
- Material: **Ceiling mount in galvanized steel sheet, mirror-polished aluminum cover rose, steel suspension cable. Lamp body in die-cast aluminum alloy, aesthetic cover in mirror-polished aluminum. Mouth-blown glass diffuser with PVD dichroic treatment, internal support for fixing the diffuser in injection-molded fiberglass-reinforced technopolymer.**
- Series: **Design Collection**
- design by: **BIG - Bjarke Ingels Group**

## DIMENSIONS

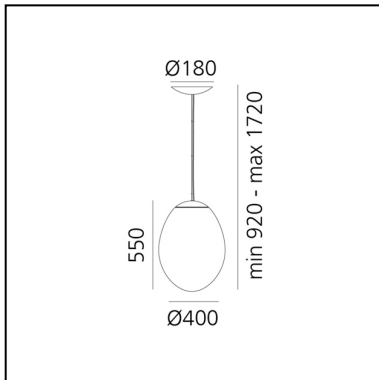
- Height: **370 mm**
- Diameter: **300 mm**

# Stellar Nebula - 40

BIG - Bjarke Ingels Group



IP20   Dimmerable: 



## LUMINAIRE

- Watt: **28W**
- Delivered lumen output: **2536lm**
- CCT: **3000K**
- Efficiency: **84%**
- Efficacy: **90.57lm/W**
- CRI: **90**
- Dimmable Typology: **Push**

## DESCRIPTION

Stellar Nebula is a family of lamps designed by BIG to interpret and enhance the artisanal glass blowing with innovative PVD finishing techniques. Values, roles, and limits of industrial and artisanal production are at the core of this design idea, which aims to find a solution for uniqueness in production.

The shapes of the diffusers are achieved through glass blowing and then freely shaped by master glassmakers to always create unique pieces. Artisanal knowledge and industrial innovation come together in the beauty of the material that enhances the magical interaction between glass and light.

## FEATURES

- Product Code: **0152030A**
- Colour: **Iridescent**
- Installation: **Suspension**
- Material: **Ceiling mount in galvanized steel sheet, mirror-polished aluminum cover rose, steel suspension cable. Lamp body in die-cast aluminum alloy, aesthetic cover in mirror-polished aluminum. Mouth-blown glass diffuser with PVD dichroic treatment, internal support for fixing the diffuser in injection-molded fiberglass-reinforced technopolymer.**
- Series: **Design Collection**
- design by: **BIG - Bjarke Ingels Group**

## DIMENSIONS

- Height: **550 mm**
- Diameter: **400 mm**
- Max Height from ceiling: **1720 mm**