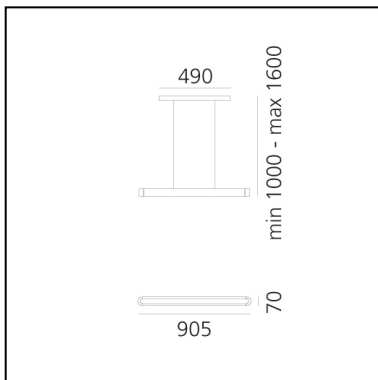


Talo sospensione LED 90 - White

Neil Poulton



IP20   **EAC**   



LUMINAIRE

- Watt: **32W**
- Voltage: **220-240V**
- Delivered lumen output: **3840lm**
- CCT: **3000K**
- Efficiency: **79%**
- Efficacy: **120.00lm/W**
- CRI: **80**

Notes

Lamp included. Available mono or double tube (on the same line), in different lengths according to the power of the light source. The suspension cables are also feed cables.

DESCRIPTION

Essential and functional, its geometric shape is designed to accommodate various light sources and LED circuits of various power ratings, extending to distribute diverse sources and the light emission and support various lighting requirements.

FEATURES

- Product Code: **1921010A**
- Colour: **White**
- Installation: **Suspension**
- Material: **Aluminium, methacrylate, polycarbonate**
- Series: **Design Collection**
- Environment: **Indoor**
- Area contract: **Hospitality, null, Retail, Office**
- Emission: **Indirect Flood/direct Dark Light**
- design by: **Neil Poulton**

DIMENSIONS

- Length: **900 mm**
- Width: **70 mm**
- Height: **1000 mm**
- Base Length: **490 mm**
- Max Height from ceiling: **1600 mm**
- Glow Wire Test: **650°**

SOURCES INCLUDED

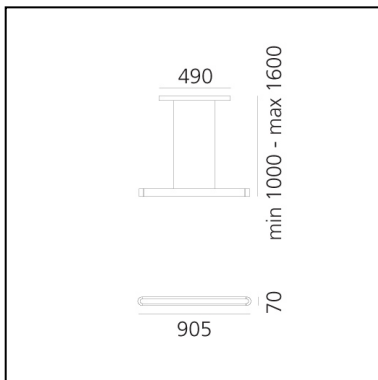
- Category: **Led**
- Number: **5**
- Watt: **6W**
- Delivered lumen output: **909lm**
- Color temperature (K): **3000K**
- CRI: **80**
- Color Tolerance: **MacAdam 3SDCM**
- Efficacy: **152lm/W**
- Service Life: **50000-L70**

Talo sospensione LED 90 - Silver

Neil Poulton



IP20   **EAC**   



LUMINAIRE

- Watt: **32W**
- Voltage: **220-240V**
- Delivered lumen output: **3840lm**
- CCT: **3000K**
- Efficiency: **79%**
- Efficacy: **120.00lm/W**
- CRI: **80**

Notes

Lamp included. Available mono or double tube (on the same line), in different lengths according to the power of the light source. The suspension cables are also feed cables.

DESCRIPTION

Essential and functional, its geometric shape is designed to accommodate various light sources and LED circuits of various power ratings, extending to distribute diverse sources and the light emission and support various lighting requirements.

FEATURES

- Product Code: **1921020A**
- Colour: **Silver**
- Installation: **Suspension**
- Material: **Aluminium, methacrylate, polycarbonate**
- Series: **Design Collection**
- Environment: **Indoor**
- Area contract: **Hospitality, null, Retail, Office**
- Emission: **Indirect Flood/direct Dark Light**
- design by: **Neil Poulton**

DIMENSIONS

- Length: **900 mm**
- Width: **70 mm**
- Height: **1000 mm**
- Base Length: **490 mm**
- Max Height from ceiling: **1600 mm**
- Glow Wire Test: **650°**

SOURCES INCLUDED

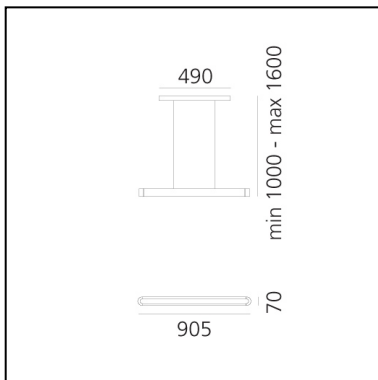
- Category: **Led**
- Number: **5**
- Watt: **6W**
- Delivered lumen output: **909lm**
- Color temperature (K): **3000K**
- CRI: **80**
- Color Tolerance: **MacAdam 3SDCM**
- Efficacy: **152lm/W**
- Service Life: **50000-L70**

Talo sospensione LED 90 - Matte Black

Neil Poulton



IP20   **EAC**   



LUMINAIRE

- Watt: **32W**
- Voltage: **220-240V**
- Delivered lumen output: **3840lm**
- CCT: **3000K**
- Efficiency: **79%**
- Efficacy: **120.00lm/W**
- CRI: **80**

Notes

Lamp included. Available mono or double tube (on the same line), in different lengths according to the power of the light source. The suspension cables are also feed cables.

DESCRIPTION

Essential and functional, its geometric shape is designed to accommodate various light sources and LED circuits of various power ratings, extending to distribute diverse sources and the light emission and support various lighting requirements.

FEATURES

- Product Code: **1921080A**
- Colour: **Matte Black**
- Installation: **Suspension**
- Material: **Aluminium, methacrylate, polycarbonate**
- Series: **Design Collection**
- Environment: **Indoor**
- Area contract: **Hospitality, null, Retail, Office**
- Emission: **Indirect Flood/direct Dark Light**
- design by: **Neil Poulton**

DIMENSIONS

- Length: **900 mm**
- Width: **70 mm**
- Height: **1000 mm**
- Base Length: **490 mm**
- Max Height from ceiling: **1600 mm**
- Glow Wire Test: **650°**

SOURCES INCLUDED

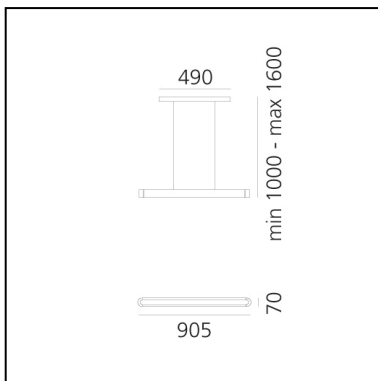
- Category: **Led**
- Number: **5**
- Watt: **6W**
- Delivered lumen output: **909lm**
- Color temperature (K): **3000K**
- CRI: **80**
- Color Tolerance: **MacAdam 3SDCM**
- Efficacy: **152lm/W**
- Service Life: **50000-L70**

Talo sospensione LED 90 Dimmable - White

Neil Poulton



IP20       Dimmerable: 



LUMINAIRE

- Power Supply: **Electronic Integrated**
- Watt: **32W**
- Voltage: **220-240V**
- Delivered lumen output: **3840lm**
- CCT: **3000K**
- Efficiency: **79%**
- Efficacy: **120.00lm/W**
- CRI: **80**
- Dimmable Typology: **Push**

Notes

Lamp included. Available mono or double tube (on the same line), in different lengths according to the power of the light source. The suspension cables are also feed cables.

DESCRIPTION

Essential and functional, its geometric shape is designed to accommodate various light sources and LED circuits of various power ratings, extending to distribute diverse sources and the light emission and support various lighting requirements.

FEATURES

- Product Code: **1922010A**
- Colour: **White**
- Installation: **Suspension**
- Material: **Aluminium, methacrylate, polycarbonate**
- Series: **Design Collection**
- Environment: **Indoor**
- Area contract: **Hospitality, null, Retail, Office**
- Emission: **Indirect Flood/direct Dark Light**
- design by: **Neil Poulton**

DIMENSIONS

- Length: **900 mm**
- Width: **70 mm**
- Height: **1000 mm**
- Base Length: **490 mm**
- Max Height from ceiling: **1600 mm**
- Glow Wire Test: **650°**

SOURCES INCLUDED

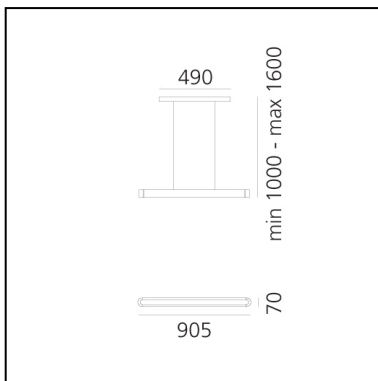
- Category: **Led**
- Number: **5**
- Watt: **6W**
- Delivered lumen output: **914lm**
- Color temperature (K): **3000K**
- CRI: **80**
- Color Tolerance: **MacAdam 3SDCM**
- Efficacy: **153lm/W**
- Service Life: **50000-L70**

Talo sospensione LED 90 Dimmable - Silver

Neil Poulton



IP20       Dimmerable: 



LUMINAIRE

- Power Supply: **Electronic Dimmable Dsi Integrated**
- Watt: **32W**
- Voltage: **220-240V**
- Delivered lumen output: **3840lm**
- CCT: **3000K**
- Efficiency: **79%**
- Efficacy: **120.00lm/W**
- CRI: **80**
- Dimmable Typology: **Push**

Notes

Lamp included. Available mono or double tube (on the same line), in different lengths according to the power of the light source. The suspension cables are also feed cables.

DESCRIPTION

Essential and functional, its geometric shape is designed to accommodate various light sources and LED circuits of various power ratings, extending to distribute diverse sources and the light emission and support various lighting requirements.

FEATURES

- Product Code: **1922020A**
- Colour: **Silver**
- Installation: **Suspension**
- Material: **Aluminium, methacrylate, polycarbonate**
- Series: **Design Collection**
- Environment: **Indoor**
- Area contract: **Hospitality, null, Retail, Office**
- Emission: **Indirect Flood/direct Dark Light**
- design by: **Neil Poulton**

DIMENSIONS

- Length: **900 mm**
- Width: **70 mm**
- Height: **1000 mm**
- Base Length: **490 mm**
- Max Height from ceiling: **1600 mm**
- Glow Wire Test: **650°**

SOURCES INCLUDED

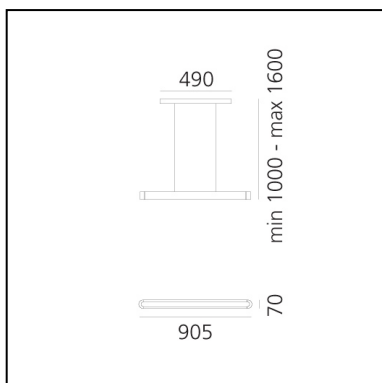
- Category: **Led**
- Number: **5**
- Watt: **6W**
- Delivered lumen output: **914lm**
- Color temperature (K): **3000K**
- CRI: **80**
- Color Tolerance: **MacAdam 3SDCM**
- Efficacy: **153lm/W**
- Service Life: **50000-L70**

Talo sospensione LED 90 Dimmable - Matte Black

Neil Poulton



IP20       Dimmerable: 



LUMINAIRE

- Power Supply: **Electronic Dimmable Dsi Integrated**
- Watt: **32W**
- Voltage: **220-240V**
- Delivered lumen output: **3840lm**
- CCT: **3000K**
- Efficiency: **79%**
- Efficacy: **120.00lm/W**
- CRI: **80**
- Dimmable Typology: **Push**

Notes

Lamp included. Available mono or double tube (on the same line), in different lengths according to the power of the light source. The suspension cables are also feed cables.

DESCRIPTION

Essential and functional, its geometric shape is designed to accommodate various light sources and LED circuits of various power ratings, extending to distribute diverse sources and the light emission and support various lighting requirements.

FEATURES

- Product Code: **1922080A**
- Colour: **Matte Black**
- Installation: **Suspension**
- Material: **Aluminium, methacrylate, polycarbonate**
- Series: **Design Collection**
- Environment: **Indoor**
- Area contract: **Hospitality, null, Retail, Office**
- Emission: **Indirect Flood/direct Dark Light**
- design by: **Neil Poulton**

DIMENSIONS

- Length: **900 mm**
- Width: **70 mm**
- Height: **1000 mm**
- Base Length: **490 mm**
- Max Height from ceiling: **1600 mm**
- Glow Wire Test: **650°**

SOURCES INCLUDED

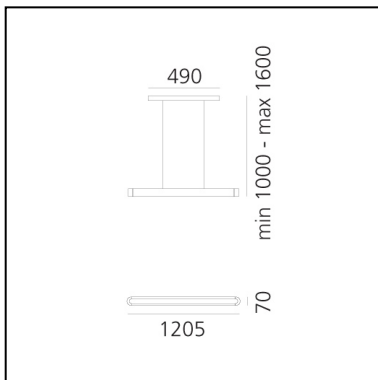
- Category: **Led**
- Number: **5**
- Watt: **6W**
- Delivered lumen output: **914lm**
- Color temperature (K): **3000K**
- CRI: **80**
- Color Tolerance: **MacAdam 3SDCM**
- Efficacy: **153lm/W**
- Service Life: **50000-L70**

Talo sospensione LED 120 - White

Neil Poulton



IP20   **EAC**   



LUMINAIRE

- Watt: **51W**
- Voltage: **220-240V**
- Delivered lumen output: **6020lm**
- CCT: **3000K**
- Efficiency: **80%**
- Efficacy: **118.05lm/W**
- CRI: **80**

Notes

Lamp included. Available mono or double tube (on the same line), in different lengths according to the power of the light source. The suspension cables are also feed cables.

DESCRIPTION

Essential and functional, its geometric shape is designed to accommodate various light sources and LED circuits of various power ratings, extending to distribute diverse sources and the light emission and support various lighting requirements.

FEATURES

- Product Code: **1923010A**
- Colour: **White**
- Installation: **Suspension**
- Material: **Aluminium, methacrylate, polycarbonate**
- Series: **Design Collection**
- Environment: **Indoor**
- Area contract: **Hospitality, null, Retail, Office**
- Emission: **Indirect Flood/direct Dark Light**
- design by: **Neil Poulton**

DIMENSIONS

- Length: **1200 mm**
- Width: **70 mm**
- Height: **1000 mm**
- Base Length: **490 mm**
- Max Height from ceiling: **1600 mm**
- Glow Wire Test: **650°**

SOURCES INCLUDED

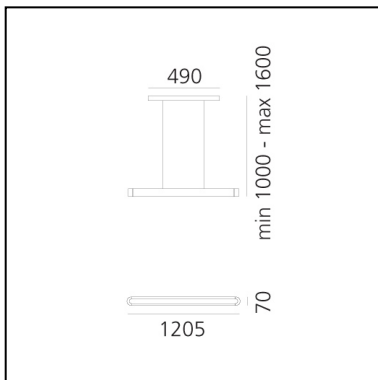
- Category: **Led**
- Number: **7**
- Watt: **6.72W**
- Delivered lumen output: **1014lm**
- Color temperature (K): **3000K**
- CRI: **80**
- Color Tolerance: **MacAdam 3SDCM**
- Efficacy: **151lm/W**
- Service Life: **50000-L70**

Talo sospensione LED 120 - Silver

Neil Poulton



IP20   **EAC**   



LUMINAIRE

- Watt: **51W**
- Voltage: **220-240V**
- Delivered lumen output: **6020lm**
- CCT: **3000K**
- Efficiency: **80%**
- Efficacy: **118.05lm/W**
- CRI: **80**

Notes

Lamp included. Available mono or double tube (on the same line), in different lengths according to the power of the light source. The suspension cables are also feed cables.

DESCRIPTION

Essential and functional, its geometric shape is designed to accommodate various light sources and LED circuits of various power ratings, extending to distribute diverse sources and the light emission and support various lighting requirements.

FEATURES

- Product Code: **1923020A**
- Colour: **Silver**
- Installation: **Suspension**
- Material: **Aluminium, methacrylate, polycarbonate**
- Series: **Design Collection**
- Environment: **Indoor**
- Area contract: **Hospitality, null, Retail, Office**
- Emission: **Indirect Flood/direct Dark Light**
- design by: **Neil Poulton**

DIMENSIONS

- Length: **1200 mm**
- Width: **70 mm**
- Height: **1000 mm**
- Base Length: **490 mm**
- Max Height from ceiling: **1600 mm**
- Glow Wire Test: **650°**

SOURCES INCLUDED

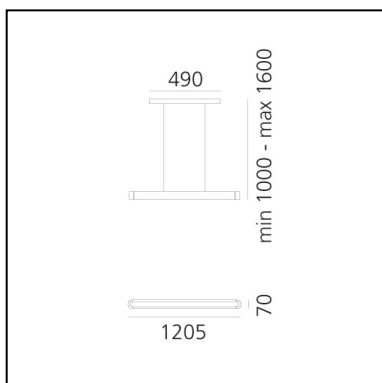
- Category: **Led**
- Number: **7**
- Watt: **6.72W**
- Delivered lumen output: **1014lm**
- Color temperature (K): **3000K**
- CRI: **80**
- Color Tolerance: **MacAdam 3SDCM**
- Efficacy: **151lm/W**
- Service Life: **50000-L70**

Talo sospensione LED 120 - Matte Black

Neil Poulton



IP20   **EAC**   



LUMINAIRE

- Watt: **51W**
- Voltage: **220-240V**
- Delivered lumen output: **6020lm**
- CCT: **3000K**
- Efficiency: **80%**
- Efficacy: **118.05lm/W**
- CRI: **80**

Notes

Lamp included. Available mono or double tube (on the same line), in different lengths according to the power of the light source. The suspension cables are also feed cables.

DESCRIPTION

Essential and functional, its geometric shape is designed to accommodate various light sources and LED circuits of various power ratings, extending to distribute diverse sources and the light emission and support various lighting requirements.

FEATURES

- Product Code: **1923080A**
- Colour: **Matte Black**
- Installation: **Suspension**
- Material: **Aluminium, methacrylate, polycarbonate**
- Series: **Design Collection**
- Environment: **Indoor**
- Area contract: **Hospitality, null, Retail, Office**
- Emission: **Indirect Flood/direct Dark Light**
- design by: **Neil Poulton**

DIMENSIONS

- Length: **1200 mm**
- Width: **70 mm**
- Height: **1000 mm**
- Base Length: **490 mm**
- Max Height from ceiling: **1600 mm**
- Glow Wire Test: **650°**

SOURCES INCLUDED

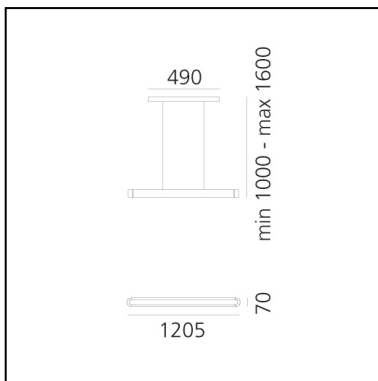
- Category: **Led**
- Number: **7**
- Watt: **6.72W**
- Delivered lumen output: **1014lm**
- Color temperature (K): **3000K**
- CRI: **80**
- Color Tolerance: **MacAdam 3SDCM**
- Efficacy: **151lm/W**
- Service Life: **50000-L70**

Talo sospensione LED 120 Dimmable - White

Neil Poulton



IP20   **ERC**    Dimmerable: 



LUMINAIRE

- Power Supply: **Electronic Integrated**
- Watt: **51W**
- Voltage: **220-240V**
- Delivered lumen output: **6020lm**
- CCT: **3000K**
- Efficiency: **80%**
- Efficacy: **118.05lm/W**
- CRI: **80**
- Dimmable Typology: **Push**

Notes

Lamp included. Available mono or double tube (on the same line), in different lengths according to the power of the light source. The suspension cables are also feed cables.

DESCRIPTION

Essential and functional, its geometric shape is designed to accommodate various light sources and LED circuits of various power ratings, extending to distribute diverse sources and the light emission and support various lighting requirements.

FEATURES

- Product Code: **1924010A**
- Colour: **White**
- Installation: **Suspension**
- Material: **Aluminium, methacrylate, polycarbonate**
- Series: **Design Collection**
- Environment: **Indoor**
- Area contract: **Hospitality, null, Retail, Office**
- Emission: **Indirect Flood/direct Dark Light**
- design by: **Neil Poulton**

DIMENSIONS

- Length: **1200 mm**
- Width: **70 mm**
- Height: **1000 mm**
- Base Length: **490 mm**
- Max Height from ceiling: **1600 mm**
- Glow Wire Test: **650°**

SOURCES INCLUDED

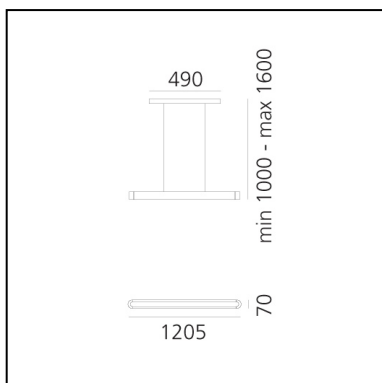
- Category: **Led**
- Number: **6**
- Watt: **6.72W**
- Delivered lumen output: **1014lm**
- Color temperature (K): **3000K**
- CRI: **80**
- Color Tolerance: **MacAdam 3SDCM**
- Efficacy: **151lm/W**
- Service Life: **50000-L70**
- Category: **Led**
- Number: **1**
- Watt: **6.72W**
- Delivered lumen output: **1019lm**
- Color temperature (K): **3000K**
- CRI: **80**
- Color Tolerance: **MacAdam 3SDCM**
- Efficacy: **152lm/W**
- Service Life: **50000-L70**

Talo sospensione LED 120 Dimmable - Silver

Neil Poulton



IP20   **ERC**    Dimmerable: 



LUMINAIRE

- Power Supply: **Electronic Dimmable Dsi Integrated**
- Watt: **51W**
- Voltage: **220-240V**
- Delivered lumen output: **6020lm**
- CCT: **3000K**
- Efficiency: **80%**
- Efficacy: **118.05lm/W**
- CRI: **80**
- Dimmable Typology: **Push**

Notes

Lamp included. Available mono or double tube (on the same line), in different lengths according to the power of the light source. The suspension cables are also feed cables.

DESCRIPTION

Essential and functional, its geometric shape is designed to accommodate various light sources and LED circuits of various power ratings, extending to distribute diverse sources and the light emission and support various lighting requirements.

FEATURES

- Product Code: **1924020A**
- Colour: **Silver**
- Installation: **Suspension**
- Material: **Aluminium, methacrylate, polycarbonate**
- Series: **Design Collection**
- Environment: **Indoor**
- Area contract: **Hospitality, null, Retail, Office**
- Emission: **Indirect Flood/direct Dark Light**
- design by: **Neil Poulton**

DIMENSIONS

- Length: **1200 mm**
- Width: **70 mm**
- Height: **1000 mm**
- Base Length: **490 mm**
- Max Height from ceiling: **1600 mm**
- Glow Wire Test: **650°**

SOURCES INCLUDED

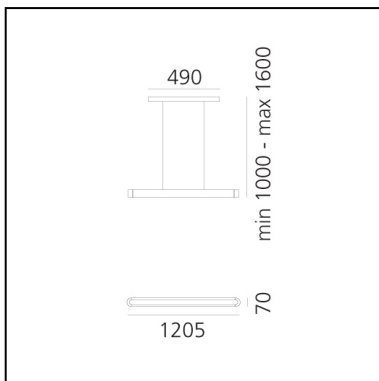
- Category: **Led**
- Number: **6**
- Watt: **6.72W**
- Delivered lumen output: **1014lm**
- Color temperature (K): **3000K**
- CRI: **80**
- Color Tolerance: **MacAdam 3SDCM**
- Efficacy: **151lm/W**
- Service Life: **50000-L70**
- Category: **Led**
- Number: **1**
- Watt: **6.72W**
- Delivered lumen output: **1019lm**
- Color temperature (K): **3000K**
- CRI: **80**
- Color Tolerance: **MacAdam 3SDCM**
- Efficacy: **152lm/W**
- Service Life: **50000-L70**

Talo sospensione LED 120 Dimmable - Matte Black

Neil Poulton



IP20   **EAC**    Dimmerable: 



LUMINAIRE

- Power Supply: **Electronic Dimmable Dsi Integrated**
- Watt: **51W**
- Voltage: **220-240V**
- Delivered lumen output: **6020lm**
- CCT: **3000K**
- Efficiency: **80%**
- Efficacy: **118.05lm/W**
- CRI: **80**
- Dimmable Typology: **Push**

Notes

Lamp included. Available mono or double tube (on the same line), in different lengths according to the power of the light source. The suspension cables are also feed cables.

DESCRIPTION

Essential and functional, its geometric shape is designed to accommodate various light sources and LED circuits of various power ratings, extending to distribute diverse sources and the light emission and support various lighting requirements.

FEATURES

- Product Code: **1924080A**
- Colour: **Matte Black**
- Installation: **Suspension**
- Material: **Aluminium, methacrylate, polycarbonate**
- Series: **Design Collection**
- Environment: **Indoor**
- Area contract: **Hospitality, null, Retail, Office**
- Emission: **Indirect Flood/direct Dark Light**
- design by: **Neil Poulton**

DIMENSIONS

- Length: **1200 mm**
- Width: **70 mm**
- Height: **1000 mm**
- Base Length: **490 mm**
- Max Height from ceiling: **1600 mm**
- Glow Wire Test: **650°**

SOURCES INCLUDED

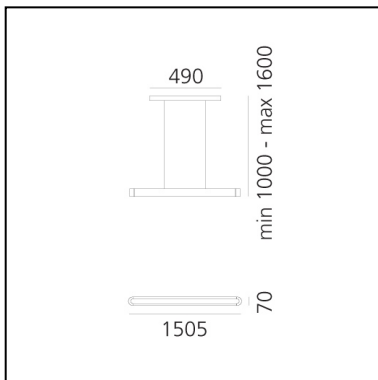
- Category: **Led**
- Number: **6**
- Watt: **6.72W**
- Delivered lumen output: **1014lm**
- Color temperature (K): **3000K**
- CRI: **80**
- Color Tolerance: **MacAdam 3SDCM**
- Efficacy: **151lm/W**
- Service Life: **50000-L70**
- Category: **Led**
- Number: **1**
- Watt: **6.72W**
- Delivered lumen output: **1019lm**
- Color temperature (K): **3000K**
- CRI: **80**
- Color Tolerance: **MacAdam 3SDCM**
- Efficacy: **152lm/W**
- Service Life: **50000-L70**

Talo sospensione LED 150 - White

Neil Poulton



IP20   **EAC**   



LUMINAIRE

- Watt: **60W**
- Voltage: **220-240V**
- Delivered lumen output: **7206lm**
- CCT: **3000K**
- Efficiency: **80%**
- Efficacy: **120.10lm/W**
- CRI: **80**

DESCRIPTION

Essential and functional, its geometric shape is designed to accommodate various light sources and LED circuits of various power ratings, extending to distribute diverse sources and the light emission and support various lighting requirements.

FEATURES

- Product Code: **1925010A**
- Colour: **White**
- Installation: **Suspension**
- Material: **Aluminium, methacrylate, polycarbonate**
- Series: **Design Collection**
- Environment: **Indoor**
- Area contract: **Hospitality, null, Retail, Office**
- Emission: **Indirect Flood/direct Dark Light**
- design by: **Neil Poulton**

DIMENSIONS

- Length: **1500 mm**
- Width: **70 mm**
- Height: **1000 mm**
- Base Length: **490 mm**
- Max Height from ceiling: **1600 mm**
- Glow Wire Test: **650°**

SOURCES INCLUDED

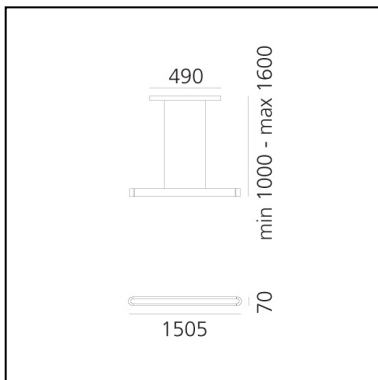
- Category: **Led**
- Number: **9**
- Watt: **6.22W**
- Delivered lumen output: **951lm**
- Color temperature (K): **3000K**
- CRI: **80**
- Color Tolerance: **MacAdam 3SDCM**
- Efficacy: **153lm/W**
- Service Life: **50000-L70**

Talo sospensione LED 150 - Silver

Neil Poulton



IP20   **EAC**   



LUMINAIRE

- Watt: **60W**
- Voltage: **220-240V**
- Delivered lumen output: **7206lm**
- CCT: **3000K**
- Efficiency: **80%**
- Efficacy: **120.10lm/W**
- CRI: **80**

Notes

Lamp included. Available mono or double tube (on the same line), in different lengths according to the power of the light source. The suspension cables are also feed cables.

DESCRIPTION

Essential and functional, its geometric shape is designed to accommodate various light sources and LED circuits of various power ratings, extending to distribute diverse sources and the light emission and support various lighting requirements.

FEATURES

- Product Code: **1925020A**
- Colour: **Silver**
- Installation: **Suspension**
- Material: **Aluminium, methacrylate, polycarbonate**
- Series: **Design Collection**
- Environment: **Indoor**
- Area contract: **Hospitality, null, Retail, Office**
- Emission: **Indirect Flood/direct Dark Light**
- design by: **Neil Poulton**

DIMENSIONS

- Length: **1500 mm**
- Width: **70 mm**
- Height: **1000 mm**
- Base Length: **490 mm**
- Max Height from ceiling: **1600 mm**
- Glow Wire Test: **650°**

SOURCES INCLUDED

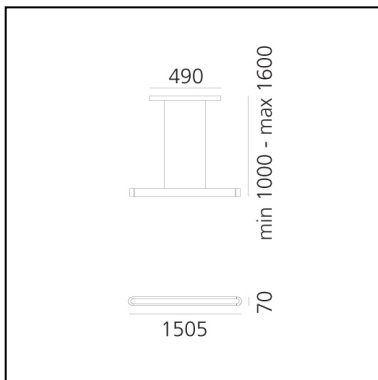
- Category: **Led**
- Number: **9**
- Watt: **6.22W**
- Delivered lumen output: **951lm**
- Color temperature (K): **3000K**
- CRI: **80**
- Color Tolerance: **MacAdam 3SDCM**
- Efficacy: **153lm/W**
- Service Life: **50000-L70**

Talo sospensione LED 150 - Matte Black

Neil Poulton



IP20   **EAC**   



LUMINAIRE

- Watt: **60W**
- Voltage: **220-240V**
- Delivered lumen output: **7206lm**
- CCT: **3000K**
- Efficiency: **80%**
- Efficacy: **120.10lm/W**
- CRI: **80**

Notes

Lamp included. Available mono or double tube (on the same line), in different lengths according to the power of the light source. The suspension cables are also feed cables.

DESCRIPTION

Essential and functional, its geometric shape is designed to accommodate various light sources and LED circuits of various power ratings, extending to distribute diverse sources and the light emission and support various lighting requirements.

FEATURES

- Product Code: **1925080A**
- Colour: **Matte Black**
- Installation: **Suspension**
- Material: **Aluminium, methacrylate, polycarbonate**
- Series: **Design Collection**
- Environment: **Indoor**
- Area contract: **Hospitality, null, Retail, Office**
- Emission: **Indirect Flood/direct Dark Light**
- design by: **Neil Poulton**

DIMENSIONS

- Length: **1500 mm**
- Width: **70 mm**
- Height: **1000 mm**
- Base Length: **490 mm**
- Max Height from ceiling: **1600 mm**
- Glow Wire Test: **650°**

SOURCES INCLUDED

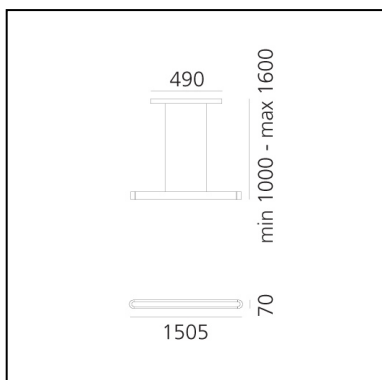
- Category: **Led**
- Number: **9**
- Watt: **6.22W**
- Delivered lumen output: **951lm**
- Color temperature (K): **3000K**
- CRI: **80**
- Color Tolerance: **MacAdam 3SDCM**
- Efficacy: **153lm/W**
- Service Life: **50000-L70**

Talo sospensione LED 150 Dimmable - White

Neil Poulton



IP20   **ERC**    Dimmerable: 



LUMINAIRE

- Power Supply: **Electronic Integrated**
- Watt: **60W**
- Voltage: **220-240V**
- Delivered lumen output: **7206lm**
- CCT: **3000K**
- Efficiency: **80%**
- Efficacy: **120.10lm/W**
- CRI: **80**
- Dimmable Typology: **Push**

Notes

Lamp included. Available mono or double tube (on the same line), in different lengths according to the power of the light source. The suspension cables are also feed cables.

DESCRIPTION

Essential and functional, its geometric shape is designed to accommodate various light sources and LED circuits of various power ratings, extending to distribute diverse sources and the light emission and support various lighting requirements.

FEATURES

- Product Code: **1926010A**
- Colour: **White**
- Installation: **Suspension**
- Material: **Aluminium, methacrylate, polycarbonate**
- Series: **Design Collection**
- Environment: **Indoor**
- Area contract: **Hospitality, null, Retail, Office**
- Emission: **Indirect Flood/direct Dark Light**
- design by: **Neil Poulton**

DIMENSIONS

- Length: **1500 mm**
- Width: **70 mm**
- Height: **1000 mm**
- Base Length: **490 mm**
- Max Height from ceiling: **1600 mm**
- Glow Wire Test: **650°**

SOURCES INCLUDED

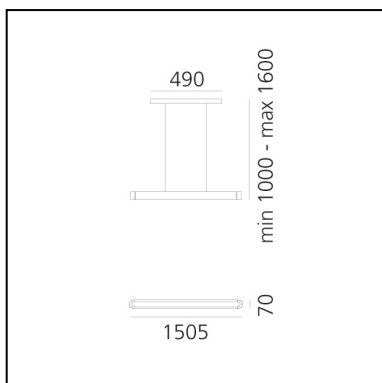
- Category: **Led**
- Number: **9**
- Watt: **6.22W**
- Delivered lumen output: **951lm**
- Color temperature (K): **3000K**
- CRI: **80**
- Color Tolerance: **MacAdam 3SDCM**
- Efficacy: **153lm/W**
- Service Life: **50000-L70**

Talo sospensione LED 150 Dimmable - Silver

Neil Poulton



IP20       Dimmerable: 



LUMINAIRE

- Power Supply: **Electronic Dimmable Dsi Integrated**
- Watt: **60W**
- Voltage: **220-240V**
- Delivered lumen output: **7206lm**
- CCT: **3000K**
- Efficiency: **80%**
- Efficacy: **120.10lm/W**
- CRI: **80**
- Dimmable Typology: **Push**

Notes

Lamp included. Available mono or double tube (on the same line), in different lengths according to the power of the light source. The suspension cables are also feed cables.

DESCRIPTION

Essential and functional, its geometric shape is designed to accommodate various light sources and LED circuits of various power ratings, extending to distribute diverse sources and the light emission and support various lighting requirements.

FEATURES

- Product Code: **1926020A**
- Colour: **Silver**
- Installation: **Suspension**
- Material: **Aluminium, methacrylate, polycarbonate**
- Series: **Design Collection**
- Environment: **Indoor**
- Area contract: **Hospitality, null, Retail, Office**
- Emission: **Indirect Flood/direct Dark Light**
- design by: **Neil Poulton**

DIMENSIONS

- Length: **1500 mm**
- Width: **70 mm**
- Height: **1000 mm**
- Base Length: **490 mm**
- Max Height from ceiling: **1600 mm**
- Glow Wire Test: **650°**

SOURCES INCLUDED

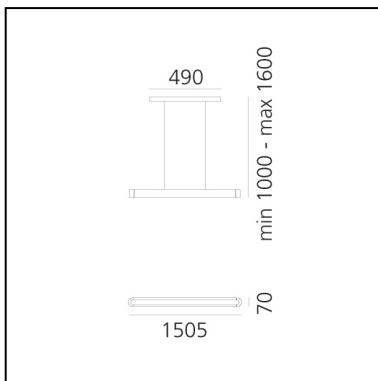
- Category: **Led**
- Number: **9**
- Watt: **6.22W**
- Delivered lumen output: **951lm**
- Color temperature (K): **3000K**
- CRI: **80**
- Color Tolerance: **MacAdam 3SDCM**
- Efficacy: **153lm/W**
- Service Life: **50000-L70**

Talo sospensione LED 150 Dimmable - Matte Black

Neil Poulton



IP20       Dimmerable: 



LUMINAIRE

- Power Supply: **Electronic Dimmable Dsi Integrated**
- Watt: **60W**
- Voltage: **220-240V**
- Delivered lumen output: **7206lm**
- CCT: **3000K**
- Efficiency: **80%**
- Efficacy: **120.10lm/W**
- CRI: **80**
- Dimmable Typology: **Push**

Notes

Lamp included. Available mono or double tube (on the same line), in different lengths according to the power of the light source. The suspension cables are also feed cables.

DESCRIPTION

Essential and functional, its geometric shape is designed to accommodate various light sources and LED circuits of various power ratings, extending to distribute diverse sources and the light emission and support various lighting requirements.

FEATURES

- Product Code: **1926080A**
- Colour: **Matte Black**
- Installation: **Suspension**
- Material: **Aluminium, methacrylate, polycarbonate**
- Series: **Design Collection**
- Environment: **Indoor**
- Area contract: **Hospitality, null, Retail, Office**
- Emission: **Indirect Flood/direct Dark Light**
- design by: **Neil Poulton**

DIMENSIONS

- Length: **1500 mm**
- Width: **70 mm**
- Height: **1000 mm**
- Base Length: **490 mm**
- Max Height from ceiling: **1600 mm**
- Glow Wire Test: **650°**

SOURCES INCLUDED

- Category: **Led**
- Number: **9**
- Watt: **6.22W**
- Delivered lumen output: **951lm**
- Color temperature (K): **3000K**
- CRI: **80**
- Color Tolerance: **MacAdam 3SDCM**
- Efficacy: **153lm/W**
- Service Life: **50000-L70**