

# FLOS

|| D301T01C3EAF2 Steel

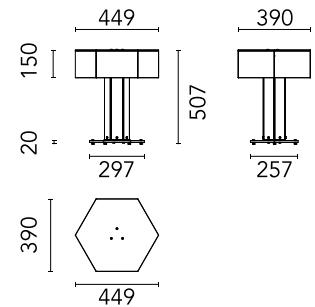
## SuperWire T

Designed by Formafantasma, 2024

18W - 1200lm - 2700K - CRI> 90



SuperWire is the first family of modular lamps designed by Formafantasma for Flos. A magical and poetic project, with an essential design but a great stage presence, which recalls the work of the great glass masters of the last century. Made of planar glass and polished aluminum, its design originated from the development of a custom-made light source that emits a warm and homogeneous light. Made up of one or more hexagons of planar glass connected by a polished aluminum element, SuperWire lights up its entire surface thanks to a new source developed by the Flos R&D team: a very thin, flat, soft, flexible LED strip measuring up to one meter, which emits a warm and homogeneous light along its entire length and which can be easily removed for replacement and repair, unique in the panorama of LED bulb-less lamps. This table version, consists of a single module h 45 cm, surmounted by a hexagonal glass cover.



Are you a professional and your project needs consulting and support?

[BOOK AN APPOINTMENT](#)

### Download

[Mounting instructions](#)

[PDF](#)

### Main specifications

EAN	8059607070222
Mounting	Table
Environments	Indoor dry location
Light source type	LED
Light sources included	Yes
LED type	Filament LED
Power (W)	18
System power (W)	18
System flux (lm)	1200

### Physical

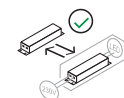
Colour	Steel
Length (mm)	449
Cord colour	Clear
Cord length (mm)	2000
Net weight (kg)	9
Package volume (m3)	0.2
IP internal	20

### Ecodesign and Energy Labelling

This product contains a light source of energy efficiency class E



Replaceable (LED only) light source by an end-user



Replaceable control gear by an end-user



## Photometric

Lighting type	Total
Light distribution	Asymmetric
CCT (K)	2700
CRI>	90
Extreme cut off	No

## Electrical

Insulation class	III
Frequency (Hz)	50/60
Main voltage (Vac)	100-240/48
Power supply	Remote included
Dimmable	Yes
Power supply type	Dimmable
Dimming interface	Switch Integrated (Remote Dimmable)
Plug type	Type G, Type A, Type C
Batteries inside	No

## Spare Parts



- |     |  |           |
|-----|--|-----------|
| 00. | Kit with special screws                                      | RF301T100 |
| 00. | Superwire T Led L450<br>25MA/42VDC/27K filament              | RF301T200 |
| 00. | Superwire T Led L450<br>25MA/42VDC/27K filament kit 6<br>pcs | RF301T300 |
| 00. | Superwire T short glass plate and<br>bushings                | RF301T400 |
| 00. | Superwire T short glass plates<br>and bushings kit 6 pcs     | RF301T500 |



RF301T100  
Kit with special screws



RF301T200  
Superwire T Led L450  
25MA/42VDC/27K filament



RF301T300  
Superwire T Led L450  
25MA/42VDC/27K filament kit 6  
pcs



RF301T400  
Superwire T short glass plate and  
bushings



RF301T500  
Superwire T short glass plates  
and bushings kit 6 pcs